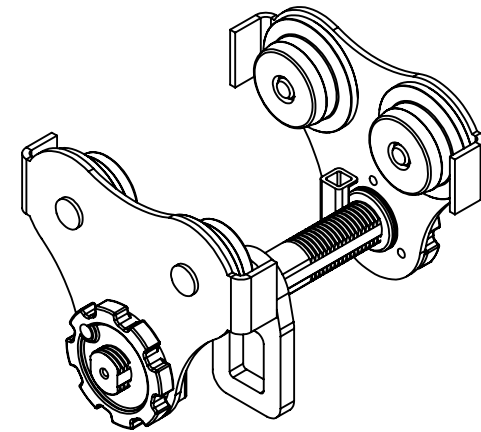
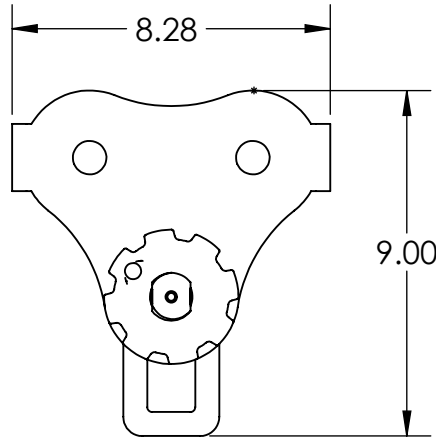
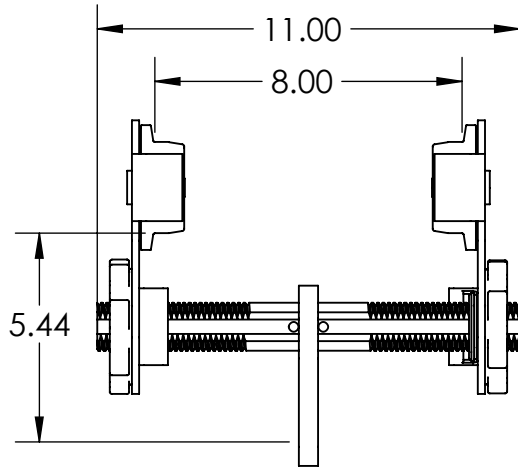


2

1

B

B



ISOMETRIC VIEW

A

A

PROPRIETARY AND CONFIDENTIAL
 THE INFORMATION CONTAINED IN THIS DRAWING IS THE SOLE PROPERTY OF OZ LIFTING PRODUCTS. ANY REPRODUCTION IN PART OR AS A WHOLE WITHOUT THE WRITTEN PERMISSION OF OZ LIFTING PRODUCTS IS PROHIBITED.

UNLESS OTHERWISE SPECIFIED:		NAME	DATE
DIMENSIONS ARE IN INCHES		DRAWN	JMR 3/10/2023
TOLERANCES:		CHECKED	
FRACTIONAL ± 1/16		ENG APPR.	
ANGULAR: MACH ± 1/2 degree		MFG APPR.	
TWO PLACE DECIMAL ±.02		Q.A.	
THREE PLACE DECIMAL ±.005		COMMENTS:	
SPECIFIC TOLERANCES TO BE CALLED OUT IF NEEDED.			
MATERIAL			
FINISH			
DO NOT SCALE DRAWING			



TITLE: 1/2 TON TROLLEY

SIZE	Part #	REV
A	OZ05PBTA	B
SCALE: 1:5	WEIGHT: 16lbs	SHEET 2 OF 2

2

1