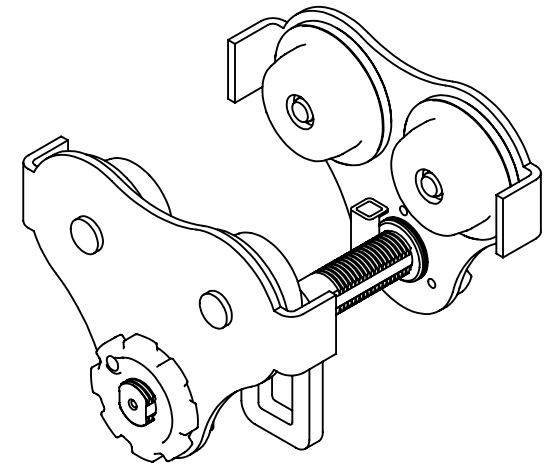
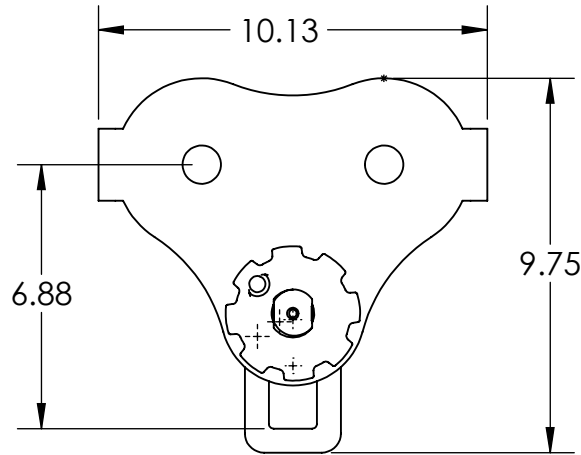
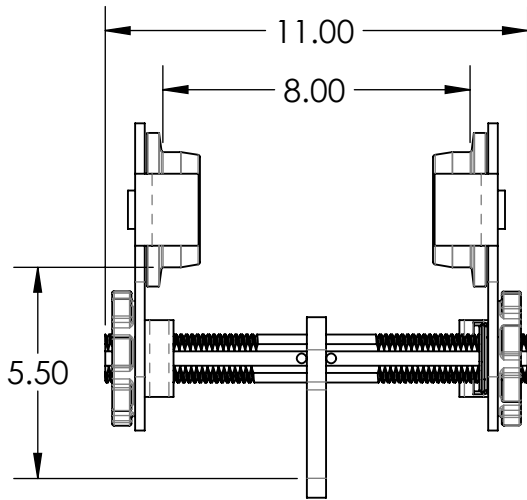


2

1

B

B



ISOMETRIC VIEW

A

A

**PROPRIETARY AND CONFIDENTIAL**  
 THE INFORMATION CONTAINED IN THIS DRAWING IS THE SOLE PROPERTY OF OZ LIFTING PRODUCTS. ANY REPRODUCTION IN PART OR AS A WHOLE WITHOUT THE WRITTEN PERMISSION OF OZ LIFTING PRODUCTS IS PROHIBITED.

UNLESS OTHERWISE SPECIFIED:		NAME	DATE
DIMENSIONS ARE IN INCHES		DRAWN	JMR 5/4/2023
TOLERANCES:		CHECKED	
FRACTIONAL ± 1/16		ENG APPR.	
ANGULAR: MACH ± 1/2 degree		MFG APPR.	
TWO PLACE DECIMAL ± .02		Q.A.	
THREE PLACE DECIMAL ± .005		COMMENTS:	
SPECIFIC TOLERANCES TO BE CALLED OUT IF NEEDED.			
MATERIAL			
FINISH			
DO NOT SCALE DRAWING			



TITLE:			
1 TON TROLLEY			
SIZE	Part #	REV	
<b>A</b>	OZ1PBTA	<b>B</b>	
SCALE: 1:5	WEIGHT: 24.39	SHEET 2 OF 2	

2

1