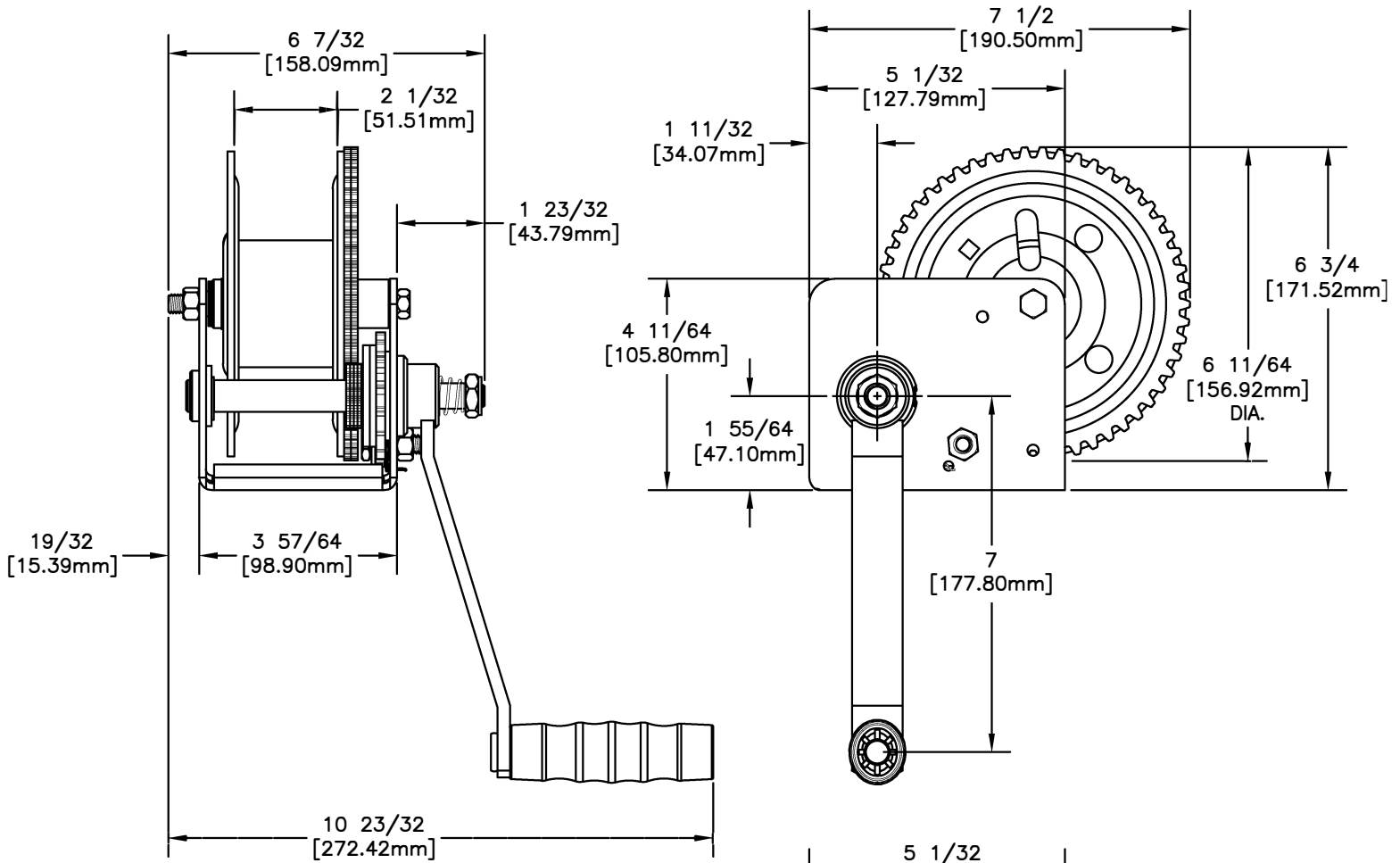


MODEL
OZWINHND1

1200lb/545kg CAPACITY
BRAKE WINCH

FRONT & SIDE VIEW



BASE HOLE PATTERN

