

4

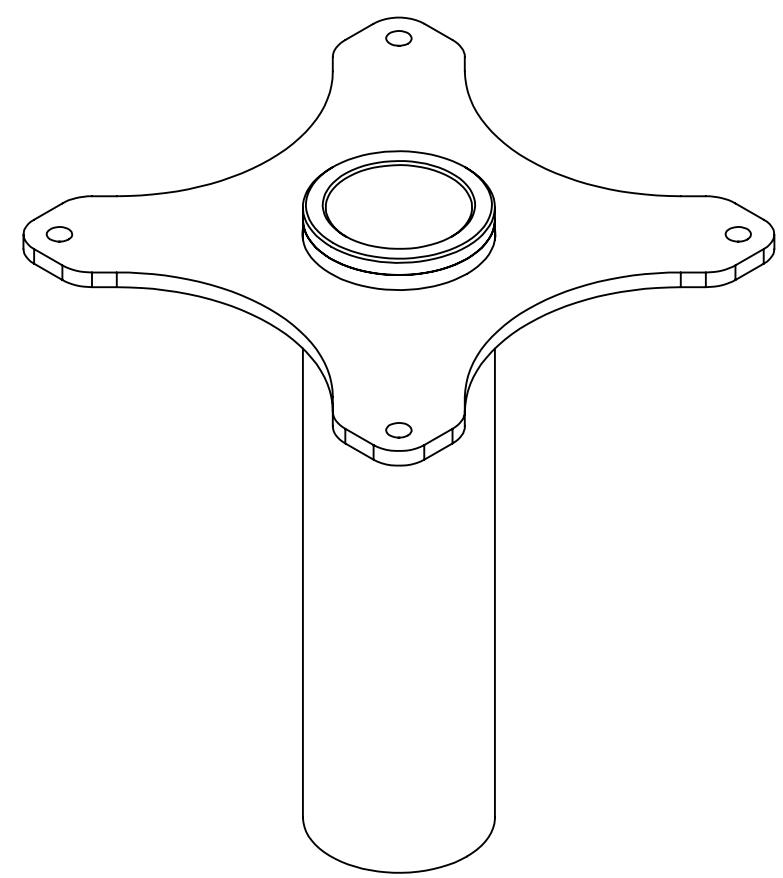
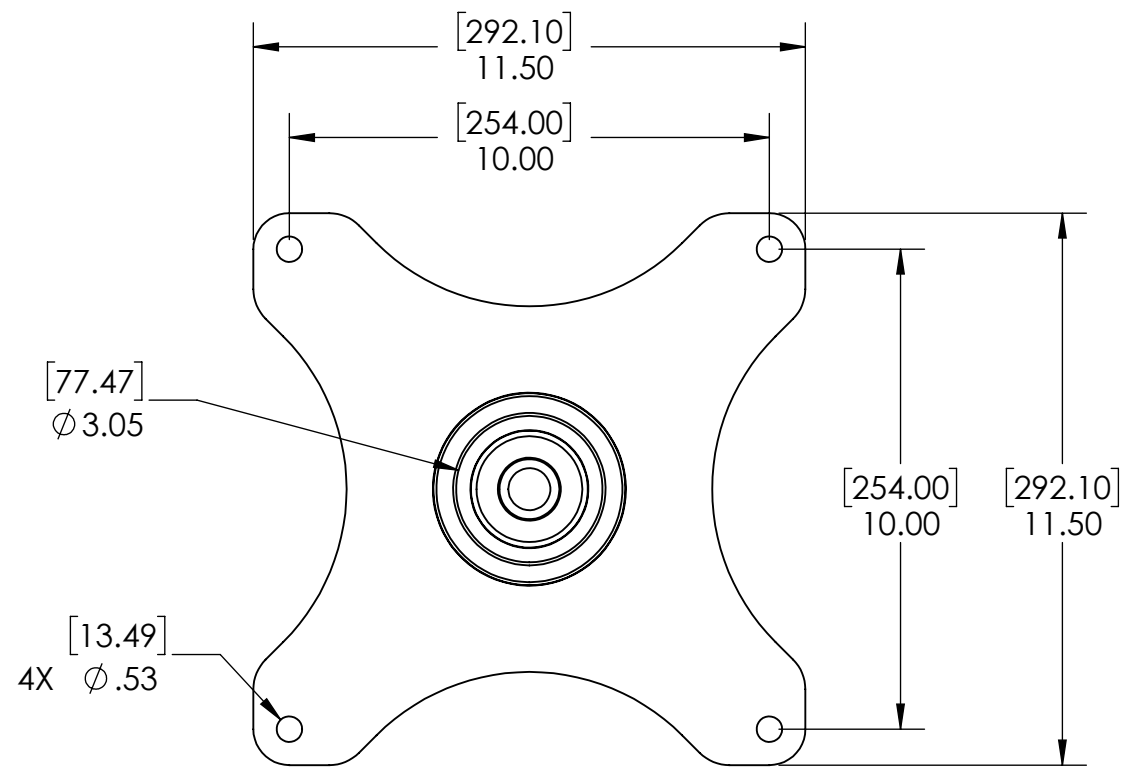
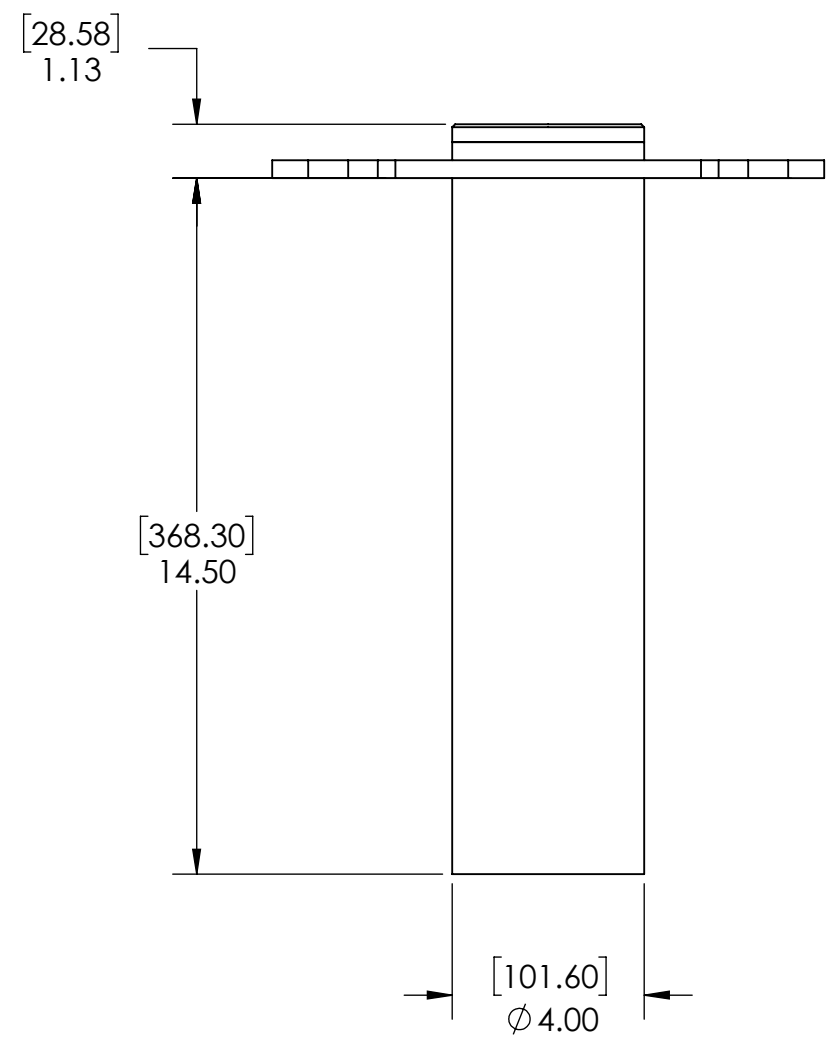
3

2

1


B

B



A

A

UNLESS OTHERWISE SPECIFIED: DIMENSIONS ARE IN INCHES TOLERANCES: FRACTIONAL ± 1/16 ANGULAR: MACH ± 1/2 degree TWO PLACE DECIMAL ± .02 THREE PLACE DECIMAL ± .005 SPECIFIC TOLERANCES TO BE CALLED OUT IF NEEDED.		PROPRIETARY AND CONFIDENTIAL THE INFORMATION CONTAINED IN THIS DRAWING IS THE SOLE PROPERTY OF OZ LIFTING PRODUCTS. ANY REPRODUCTION IN PART OR AS A WHOLE WITHOUT THE WRITTEN PERMISSION OF OZ LIFTING PRODUCTS IS PROHIBITED.		 TITLE: STAINLESS SOCKET BASE – SERIES 2		
SURFACE AREA 763.16 SQ. IN.		NAME	DATE			SIZE
MATERIAL ASSEMBLY		DRAWN	ZRD	06/30/2025	OZSOC2-SS	-
FINISH		CHECKED				
DO NOT SCALE DRAWING		COMMENTS:		SCALE: 1:4	WEIGHT: 22.83	SHEET 2 OF 2

4

3

2

1