

4

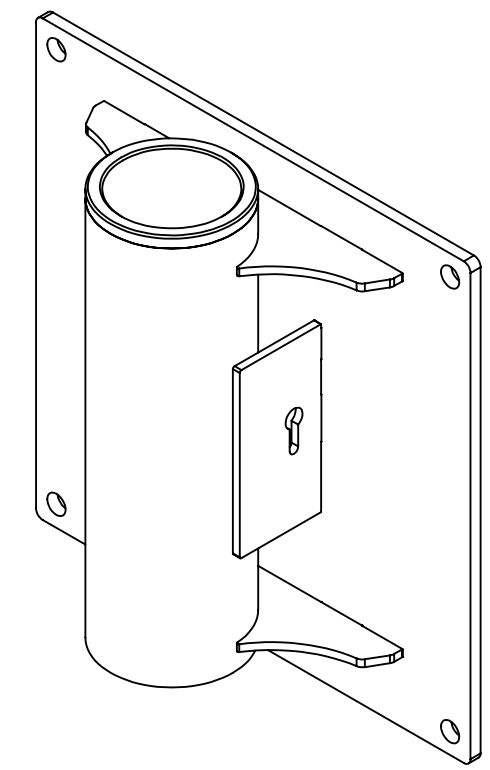
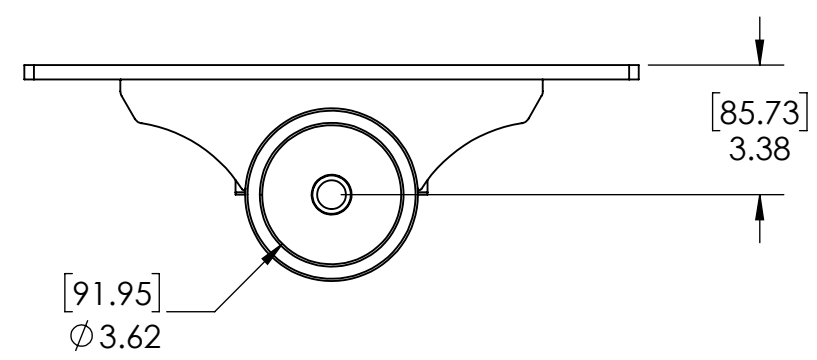
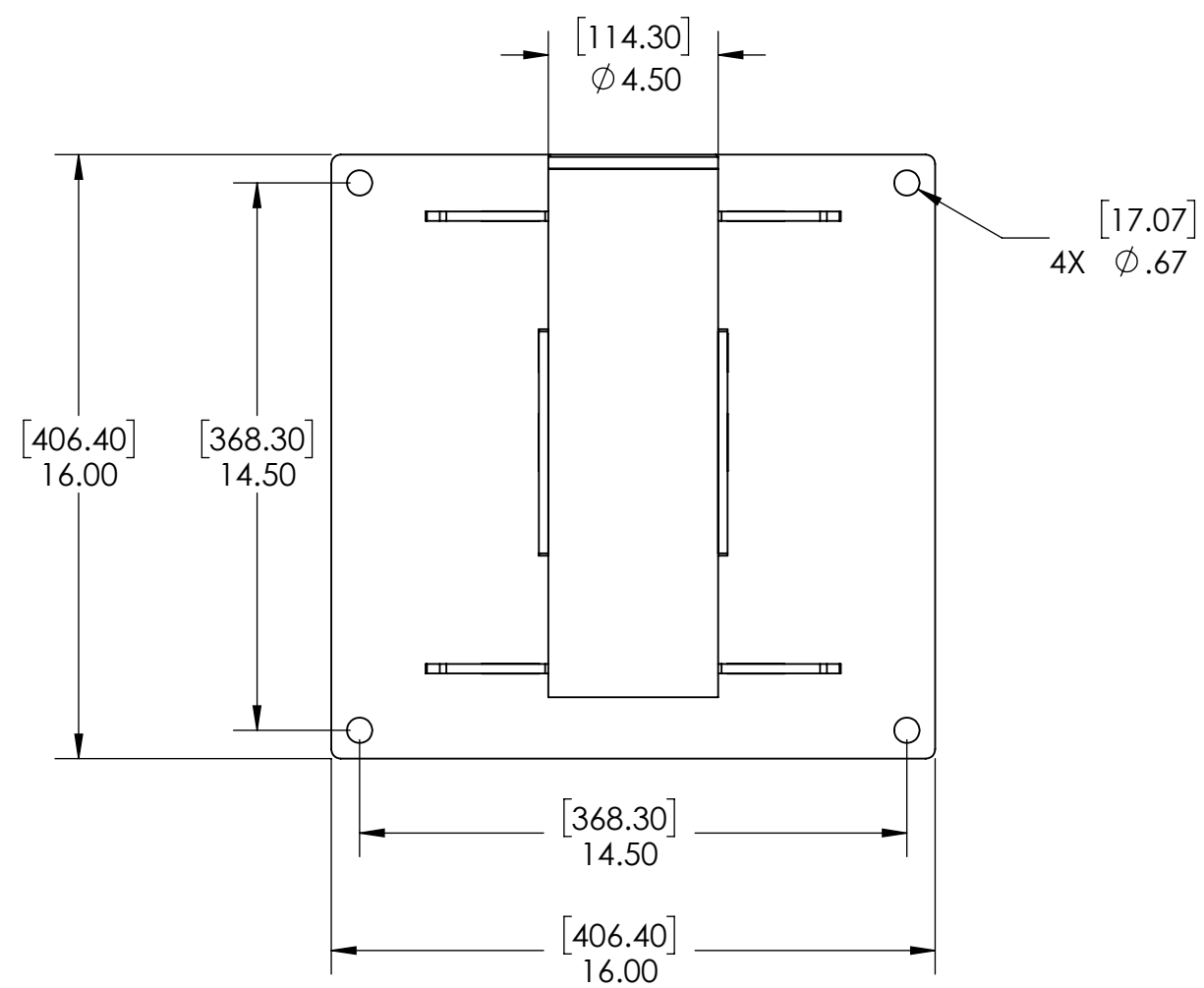
3

2

1

B

B



A


A

4

3

2

1

UNLESS OTHERWISE SPECIFIED: DIMENSIONS ARE IN INCHES TOLERANCES: FRACTIONAL $\pm 1/16$ ANGULAR: MACH $\pm 1/2$ degree TWO PLACE DECIMAL $\pm .02$ THREE PLACE DECIMAL $\pm .005$ SPECIFIC TOLERANCES TO BE CALLED OUT IF NEEDED.	PROPRIETARY AND CONFIDENTIAL THE INFORMATION CONTAINED IN THIS DRAWING IS THE SOLE PROPERTY OF OZ LIFTING PRODUCTS. ANY REPRODUCTION IN PART OR AS A WHOLE WITHOUT THE WRITTEN PERMISSION OF OZ LIFTING PRODUCTS IS PROHIBITED.				
	DRAWN ZRD	NAME ZRD			DATE 6/30/2025
SURFACE AREA 1339.80 SQ. IN.	CHECKED 	COMMENTS: 	SIZE B	Part # OZWALL1-SS	REV -
MATERIAL ASSEMBLY	FINISH 	DO NOT SCALE DRAWING	SCALE: 1:5	WEIGHT: 48.15	SHEET 2 OF 2