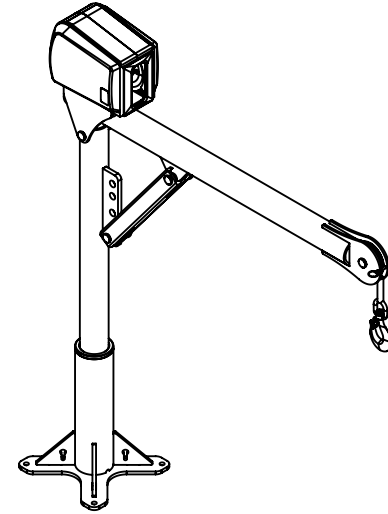
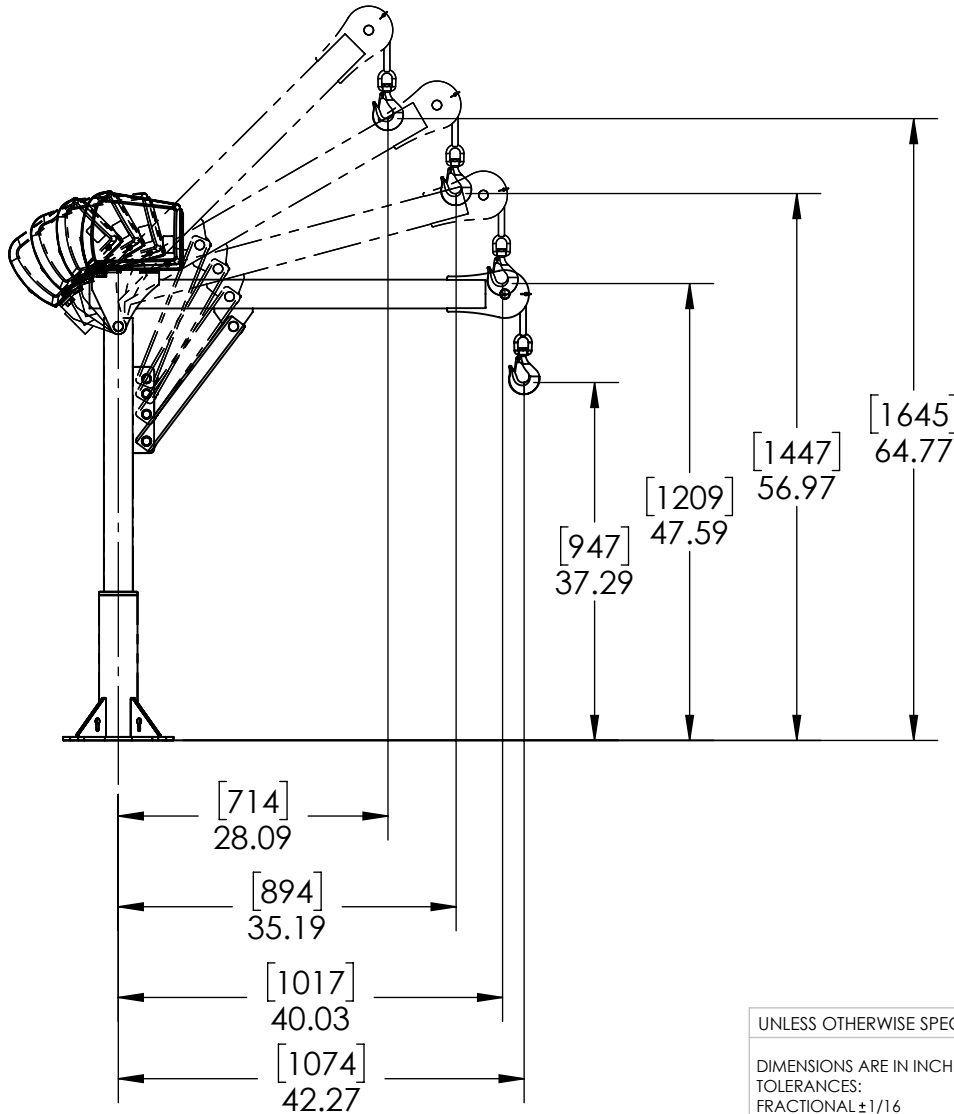


2

1

B

B



ISOMETRIC VIEW

A

A

**PROPRIETARY AND CONFIDENTIAL**  
 THE INFORMATION CONTAINED IN THIS DRAWING IS THE SOLE PROPERTY OF OZ LIFTING PRODUCTS. ANY REPRODUCTION IN PART OR AS A WHOLE WITHOUT THE WRITTEN PERMISSION OF OZ LIFTING PRODUCTS IS PROHIBITED.

UNLESS OTHERWISE SPECIFIED:	NAME	DATE
DIMENSIONS ARE IN INCHES	DRAWN	JMR 10/30/2024
TOLERANCES:	CHECKED	
FRACTIONAL ± 1/16	ENG APPR.	
ANGULAR: MACH ± 1/2 degree	MFG APPR.	
TWO PLACE DECIMAL ±.02	Q.A.	
THREE PLACE DECIMAL ±.005	COMMENTS:	
SPECIFIC TOLERANCES TO BE CALLED OUT IF NEEDED.		
MATERIAL		
Assembly		
FINISH		
Powder Coated		
DO NOT SCALE DRAWING		

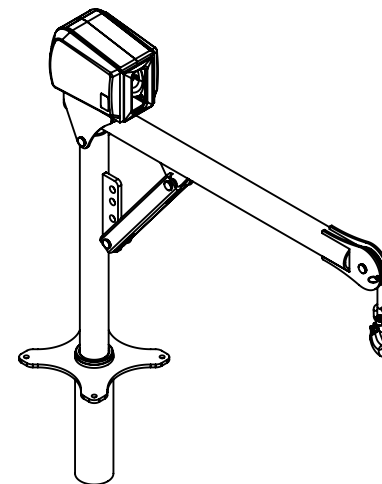
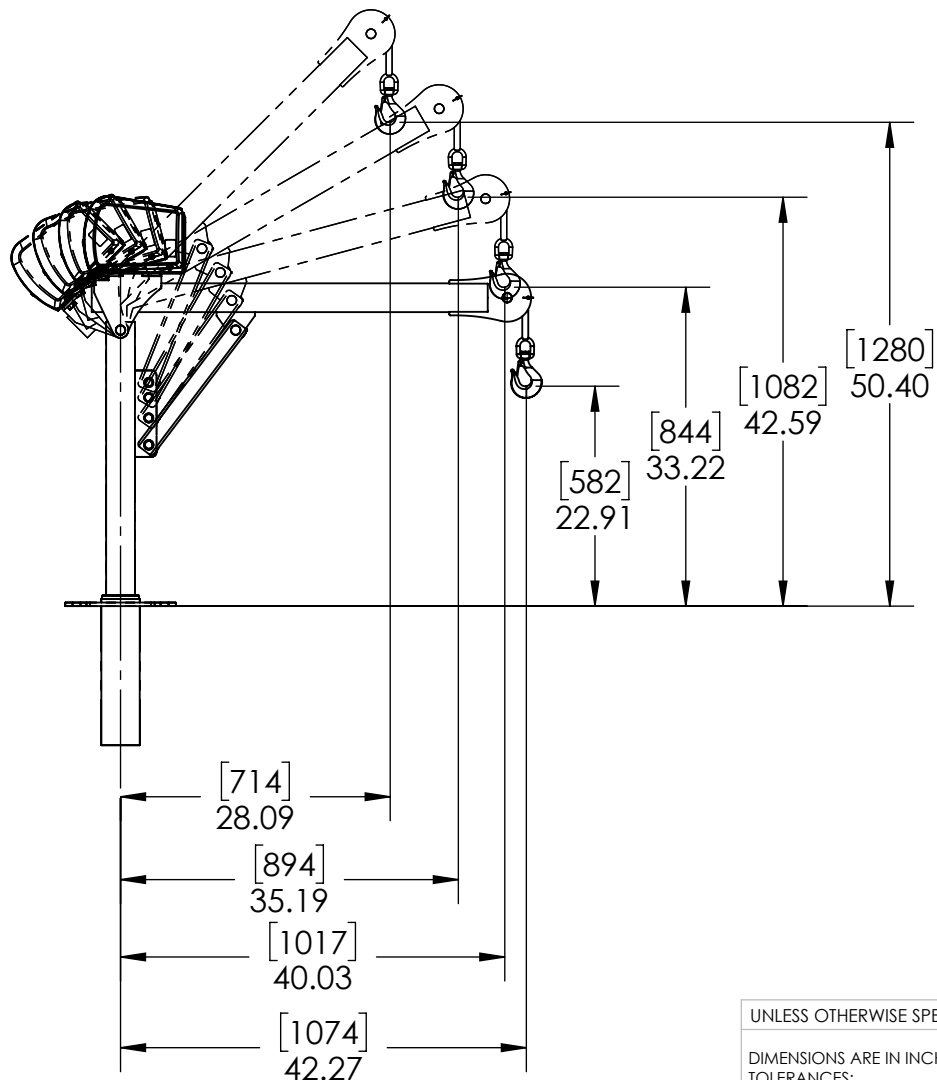


TITLE:		
1000lb Steel Davit		
SIZE	Part #	REV
<b>A</b>	OZ1000DAV	-
SCALE: 1:20	WEIGHT: 113.71	SHEET 2 OF 4

2

1

B



ISOMETRIC VIEW

B

A

A

UNLESS OTHERWISE SPECIFIED:

DIMENSIONS ARE IN INCHES  
 TOLERANCES:  
 FRACTIONAL  $\pm 1/16$   
 ANGULAR: MACH  $\pm 1/2$  degree  
 TWO PLACE DECIMAL  $\pm .02$   
 THREE PLACE DECIMAL  $\pm .005$

SPECIFIC TOLERANCES TO BE  
 CALLED OUT IF NEEDED.

MATERIAL  
 Assembly

FINISH  
 Powder Coated

DO NOT SCALE DRAWING

NAME DATE

DRAWN JMR 10/30/2024

CHECKED

ENG APPR.

MFG APPR.

Q.A.

COMMENTS:

TITLE:

1000lb Steel Davit

SIZE

A

Part #

OZ1000DAV

REV

-

SCALE: 1:20 WEIGHT: 113.71 SHEET 3 OF 4

2

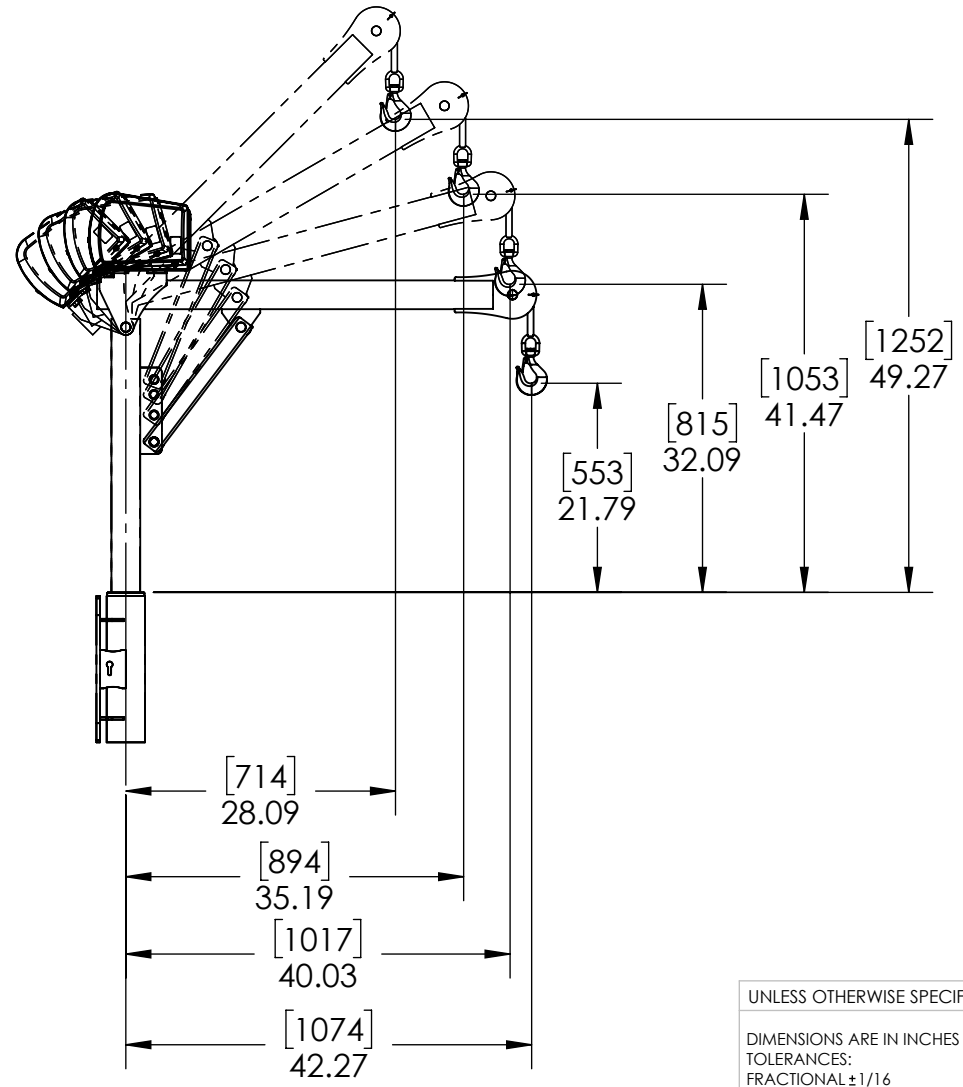
1

2

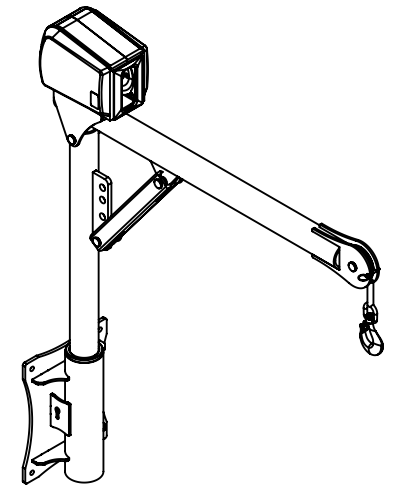
1

**PROPRIETARY AND CONFIDENTIAL**  
 THE INFORMATION CONTAINED IN THIS  
 DRAWING IS THE SOLE PROPERTY OF  
 OZ LIFTING PRODUCTS. ANY  
 REPRODUCTION IN PART OR AS A WHOLE  
 WITHOUT THE WRITTEN PERMISSION OF  
 OZ LIFTING PRODUCTS IS  
 PROHIBITED.

B



1



ISOMETRIC VIEW

B

A

**PROPRIETARY AND CONFIDENTIAL**  
 THE INFORMATION CONTAINED IN THIS DRAWING IS THE SOLE PROPERTY OF OZ LIFTING PRODUCTS. ANY REPRODUCTION IN PART OR AS A WHOLE WITHOUT THE WRITTEN PERMISSION OF OZ LIFTING PRODUCTS IS PROHIBITED.

UNLESS OTHERWISE SPECIFIED:		NAME	DATE
DIMENSIONS ARE IN INCHES		DRAWN	JMR 10/30/2024
TOLERANCES:		CHECKED	
FRACTIONAL ± 1/16		ENG APPR.	
ANGULAR: MACH ± 1/2 degree		MFG APPR.	
TWO PLACE DECIMAL ±.02		Q.A.	
THREE PLACE DECIMAL ±.005		COMMENTS:	
SPECIFIC TOLERANCES TO BE CALLED OUT IF NEEDED.			
MATERIAL			
Assembly			
FINISH			
Powder Coated			
DO NOT SCALE DRAWING			



TITLE:		
1000lb Steel Davit		
SIZE	Part #	REV
<b>A</b>	OZ1000DAV	-
SCALE: 1:20	WEIGHT: 113.71	SHEET 4 OF 4

A

2

2

1