

4

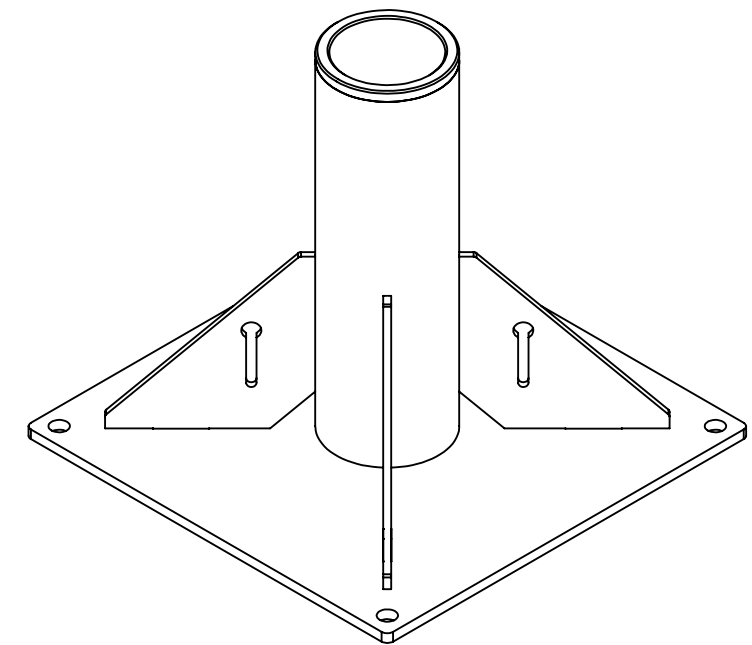
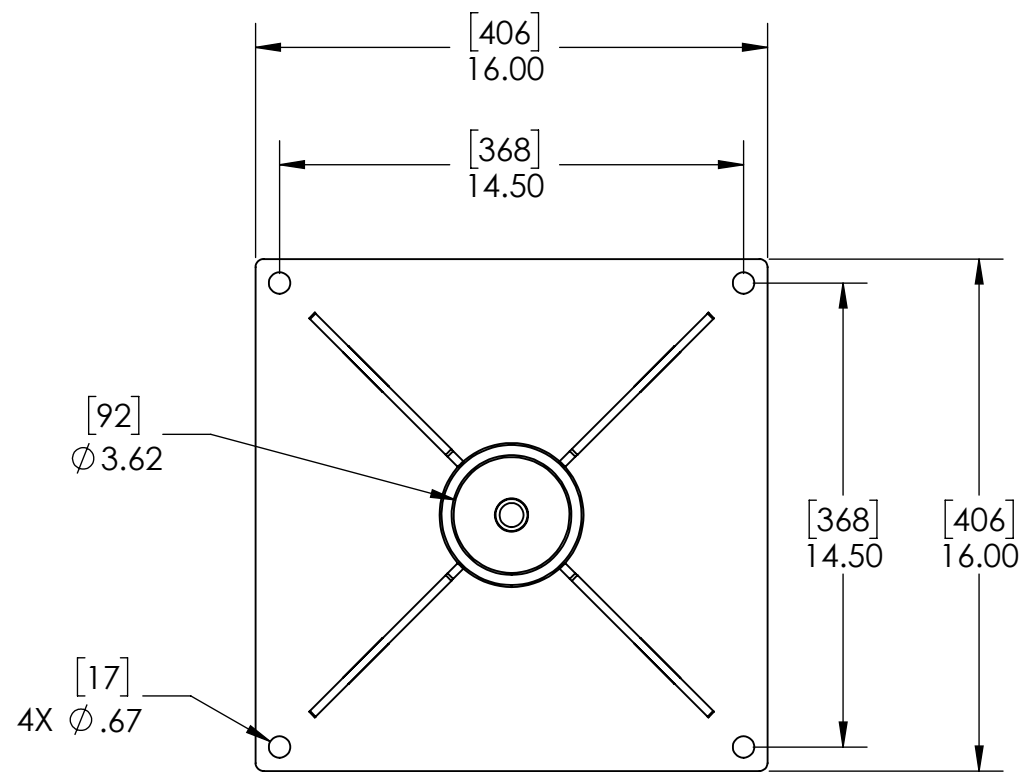
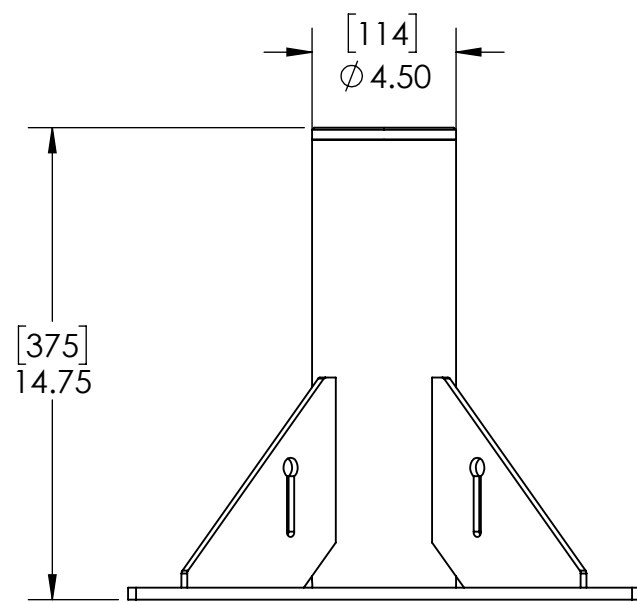
3

2

1

B

B



A

A

4

3

2

1

UNLESS OTHERWISE SPECIFIED:
 DIMENSIONS ARE IN INCHES
 TOLERANCES:
 FRACTIONAL $\pm 1/16$
 ANGULAR: MACH $\pm 1/2$ degree
 TWO PLACE DECIMAL $\pm .02$
 THREE PLACE DECIMAL $\pm .005$
 SPECIFIC TOLERANCES TO BE CALLED OUT IF NEEDED.
 SURFACE AREA
 1354.67 SQ. IN.
 MATERIAL
 ASSEMBLY
 FINISH
 DO NOT SCALE DRAWING

PROPRIETARY AND CONFIDENTIAL
 THE INFORMATION CONTAINED IN THIS DRAWING IS THE SOLE PROPERTY OF OZ LIFTING PRODUCTS. ANY REPRODUCTION IN PART OR AS A WHOLE WITHOUT THE WRITTEN PERMISSION OF OZ LIFTING PRODUCTS IS PROHIBITED.

	NAME	DATE
DRAWN	ZRD	06/30/2025
CHECKED		

COMMENTS:



TITLE: **STAINLESS PEDESTAL BASE – SERIES 1**

SIZE	Part #	REV
B	OZPED1-SS	-

SCALE: 1:6 WEIGHT: 48.14 SHEET 2 OF 2