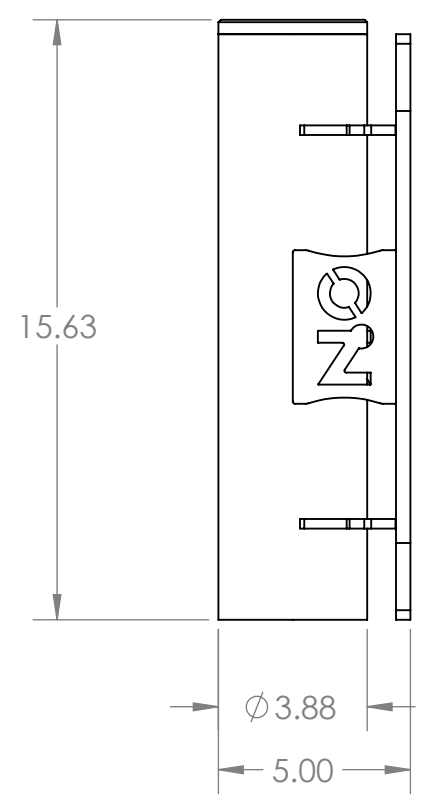
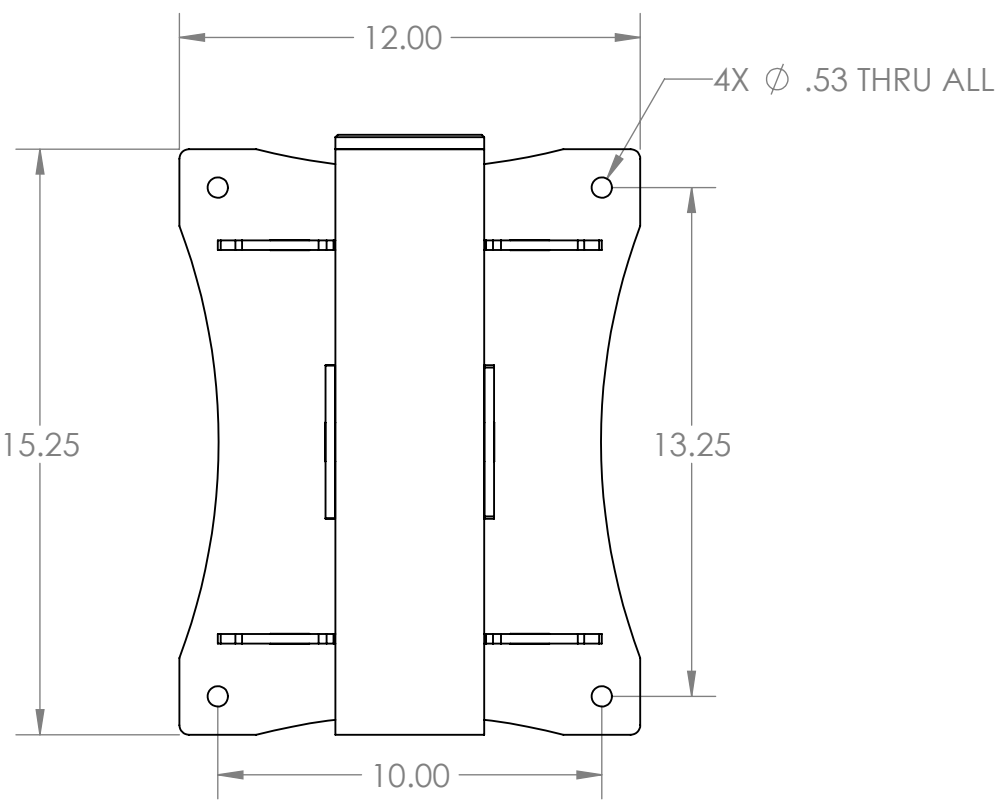


2 1

B

B



A

A

PROPRIETARY AND CONFIDENTIAL
 THE INFORMATION CONTAINED IN THIS DRAWING IS THE SOLE PROPERTY OF OZ LIFTING PRODUCTS. ANY REPRODUCTION IN PART OR AS A WHOLE WITHOUT THE WRITTEN PERMISSION OF OZ LIFTING PRODUCTS IS PROHIBITED.

UNLESS OTHERWISE SPECIFIED:		NAME	DATE
DIMENSIONS ARE IN INCHES		DRAWN	GFL 6/10/16
TOLERANCES:		CHECKED	
FRACTIONAL ± 1/16		ENG APPR.	
ANGULAR: MACH ± 1/2 degree		MFG APPR.	
TWO PLACE DECIMAL ± .02		Q.A.	
THREE PLACE DECIMAL ± .005		COMMENTS:	
SPECIFIC TOLERANCES TO BE CALLED OUT IF NEEDED.			
MATERIAL	Mixed		
FINISH			
DO NOT SCALE DRAWING			



TITLE: Davit 1000 Wall Mount Base			
SIZE	Part #	REV	
A	OZWALL2	A	
SCALE: 1:5	WEIGHT: 31.4lbs	SHEET 1 OF 1	

2

1