

CARBON & STAINLESS STEEL BRAKE WINCHES



FEATURES

- All steel construction
- Compact design
- Ergonomic rubber handle
- Multiple frame mounting positions
- Fully enclosed gearing
- Solid machined gear
- Automatic weatherproof weston brake
- Dual cable anchor point
- Large diameter drum
- High gear ratio
- Test certificate & serial number

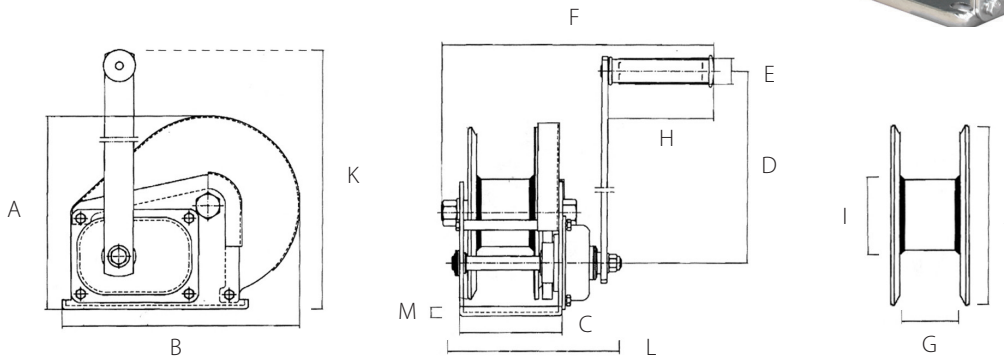
Cable/Drum Capacity	1st layer (ft)	Mid drum (ft)	Full drum (ft)
OZ1000BW – OZ1000BWSS using 1/8" wire rope	7	74	140
OZ1000BW – OZ1000BWSS using 3/16" wire rope	5	34	75
OZ1500BW – OZ1500BWSS using 3/16" wire rope	7	66	140
OZ1500BW – OZ1500BWSS using 1/4" wire rope	5	27	89
OZ2000BW – OZ2000BWSS using 1/4" wire rope	8	36	85
OZ2000BW – OZ2000BWSS using 5/16" wire rope	7	22	52

Load Rating (lbs)			
OZ1000BW – OZ1000BWSS	1000	750	500
OZ1500BW – OZ1500BWSS	1500	1250	750
OZ2000BW – OZ2000BWSS	2000	1500	1000

*Cable not included



Standard - CE



	OZ1000BW – OZ1000BWSS	OZ1500BW – OZ1500BWSS	OZ2000BW – OZ2000BWSS	
Capacity (lbs)	1000	1500	2000	
Gear Ratio	4.2:1	5:1	10:1	
Dimensions (in)	A	6.22	7.73	8.35
	B	7.20	9.36	11.10
	C	3.46	4.21	5.00
	D	8.26	12.68	12.99
	E	1.06	1.06	1.06
	F	10.43	10.63	11.81
	G	1.98	2.30	2.52
	H	4.29	4.29	4.29
	I	1.90BW – 1.60BWSS	2.38	3.00
	J	5.33	7.00	7.09
	K	10.20	15.31	15.35
L	5.98	6.89	7.87	
M	0.12	0.14	0.16	
Net Weight (lbs)	8	17	22	

*Dimensions are for reference only and subject to change without notice.

