

SPARK RESISTANT CHAIN HOIST



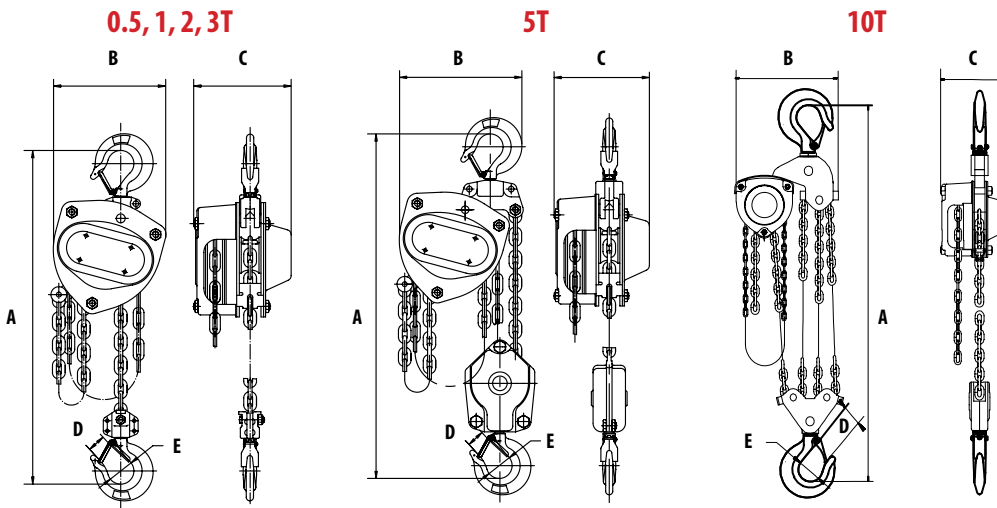
FREE SPARE SET OF LATCHES

Features

Potentially explosive atmospheres exist in many areas of industry. Explosive zones carry extremely strict guidelines and equipment requirements. OZ Lifting Products' Spark Resistant Chain Hoists are manufactured in compliance with the EU's explosion-proof standard ATEX94/9/EC and the Machinery Directive 2006/42/EC. The explosion-proof level can reach: EX II2 GD c IIIC T135 °C. They are suitable for potentially explosive atmospheres including Zone 1 & 2 (gas) as well as Zone 21 & 22 (dust).

- Type EX-F3 Spark Resistant
- Unique Hand Wheel Design
- Minimal Load Lifting Effort
- Fully Enclosed Gearing
- Stainless Steel Safety Latches
- Stainless Steel Hand Chain
- Copper Plated Hooks Hand Wheel, and Roller Guides
- Individual Test Certificate and Serial Number
- Dacromet® Finish Load Chain
- Fully Machined Lift Wheel
- Totally Enclosed Gearing
- For Lifting or Pulling
- Low Headroom
- Weatherproof Load Holding Brake
- All Gears and Shafts Run on Roller Bearings
- Copper Riveted ID Tags

Standards - CE, EX-F3 (Ex II 2 GD c IIIC T135°C), AS1418.2, ASME B30.16



	OZSR005-XXCH	OZSR010-XXCH	OZSR020-XXCH	OZSR030-XXCH	OZSR050-XXCH	OZSR100-XXCH
Capacity (tons)	0.5	1	2	3	5	10
Falls of Chain	1	1	1	1	2	4
Effort to Lift S.W.L (lbs)	54	56	75	83	85	87
Loadchain Diameter (mm)	5x15	6x18	8x24	10x30	10x30	10x30
Dimensional Information (in)	A	13.58	14.80	18.50	22.83	27.16
	B	5.82	6.77	8.26	10.03	11.02
	C	5.19	5.94	6.88	8.07	7.44
Hook-opening, upper & lower	D	0.90	1.02	1.33	1.53	1.61
	E	1.37	1.57	1.96	2.16	2.55
Net Weight of Head Only (lbs)	13	18	31	51	60	114

Standard Lift: 10, 15, 20, 30 ft. We also do custom rigging

Dimensions and illustrations are for reference only and subject to change without notice. XX in hoist model number indicates length of lift by foot.



WARNING
CANCER AND REPRODUCTIVE HARM
 Some products may contain chemicals known to the state of California to cause cancer, or birth defect or reproductive harm.
www.P65Warning.ca.gov