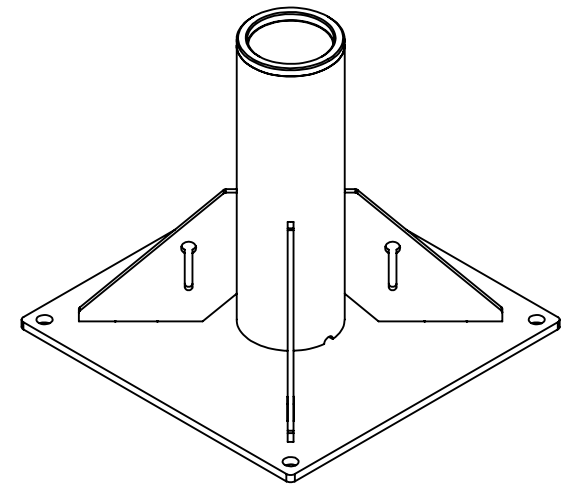
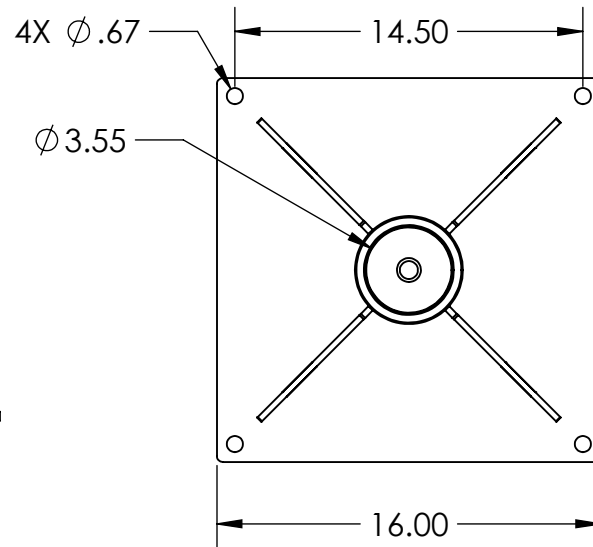
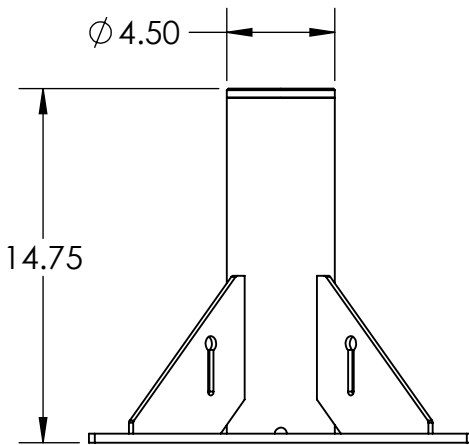


B



ISOMETRIC VIEW

B

A

2

1

UNLESS OTHERWISE SPECIFIED:

DIMENSIONS ARE IN INCHES  
 TOLERANCES:  
 FRACTIONAL  $\pm 1/16$   
 ANGULAR: MACH  $\pm 1/2$  degree  
 TWO PLACE DECIMAL  $\pm .02$   
 THREE PLACE DECIMAL  $\pm .005$

SPECIFIC TOLERANCES TO BE CALLED OUT IF NEEDED.

MATERIAL  
AssemblyFINISH  
Zinc Plate

DO NOT SCALE DRAWING

	NAME	DATE
DRAWN	JMR	9/28/2022
CHECKED		
ENG APPR.		
MFG APPR.		
Q.A.		
COMMENTS:		

TITLE:  
Pedestal Base

SIZE	Part #	REV
<b>A</b>	OZPED1-TP	<b>B</b>
SCALE: 1:8	WEIGHT: 46.682	SHEET 2 OF 2

**PROPRIETARY AND CONFIDENTIAL**  
 THE INFORMATION CONTAINED IN THIS DRAWING IS THE SOLE PROPERTY OF OZ LIFTING PRODUCTS. ANY REPRODUCTION IN PART OR AS A WHOLE WITHOUT THE WRITTEN PERMISSION OF OZ LIFTING PRODUCTS IS PROHIBITED.

A