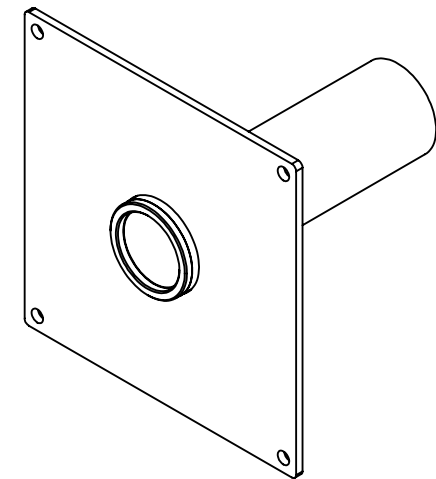
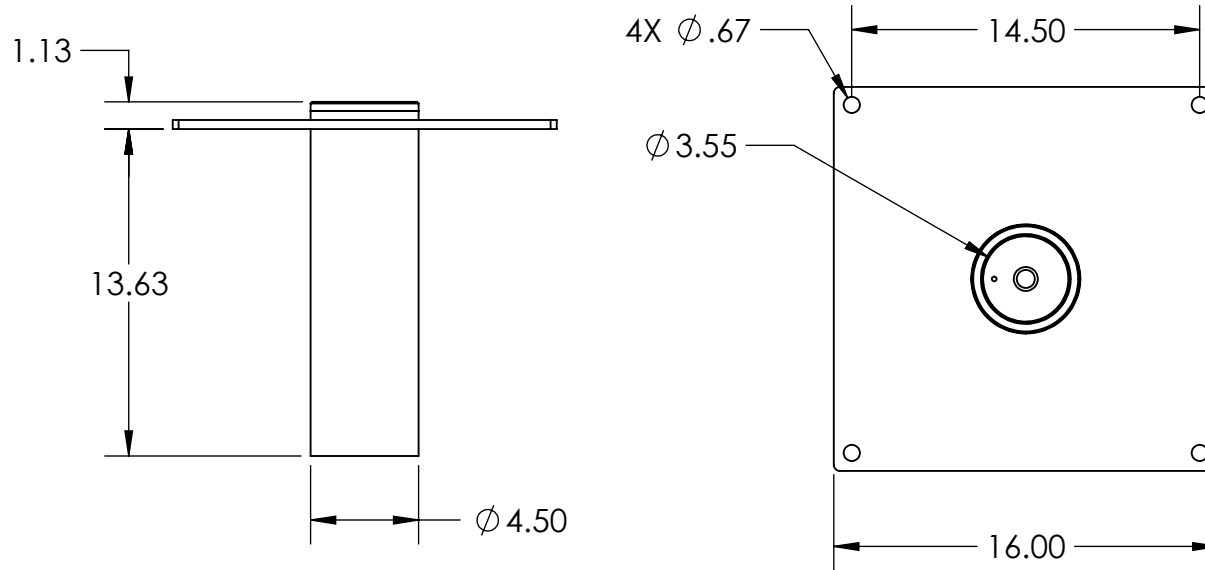


2

1

B

B



ISOMETRIC VIEW

A

A

UNLESS OTHERWISE SPECIFIED:		NAME	DATE
DIMENSIONS ARE IN INCHES		DRAWN	JMR 9/28/2022
TOLERANCES:		CHECKED	
FRACTIONAL $\pm 1/16$		ENG APPR.	
ANGULAR: MACH $\pm 1/2$ degree		MFG APPR.	
TWO PLACE DECIMAL $\pm .02$		Q.A.	
THREE PLACE DECIMAL $\pm .005$		COMMENTS:	
SPECIFIC TOLERANCES TO BE CALLED OUT IF NEEDED.			
MATERIAL		Assembly	
FINISH		Zinc Plated	
DO NOT SCALE DRAWING			



TITLE:			
Socket Base			
SIZE	Part #	REV	
A	OZSOC1-TP	B	
SCALE: 1:8	WEIGHT: 41.223	SHEET 2 OF 2	

PROPRIETARY AND CONFIDENTIAL
 THE INFORMATION CONTAINED IN THIS DRAWING IS THE SOLE PROPERTY OF OZ LIFTING PRODUCTS. ANY REPRODUCTION IN PART OR AS A WHOLE WITHOUT THE WRITTEN PERMISSION OF OZ LIFTING PRODUCTS IS PROHIBITED.

2

1