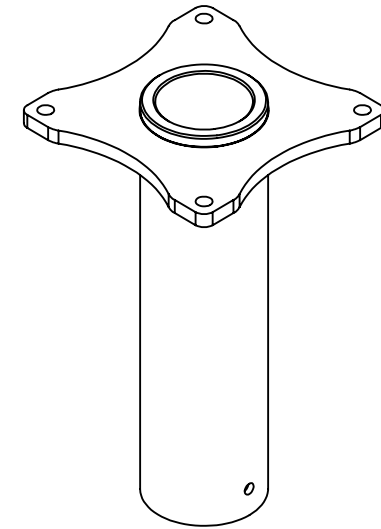
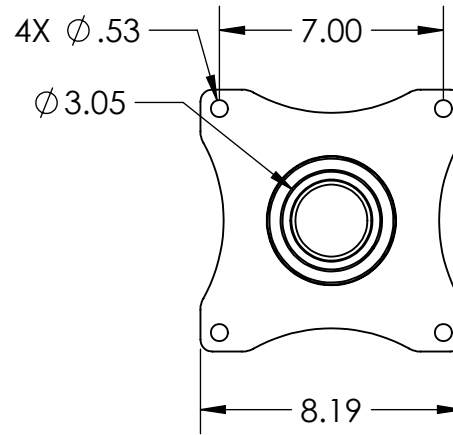
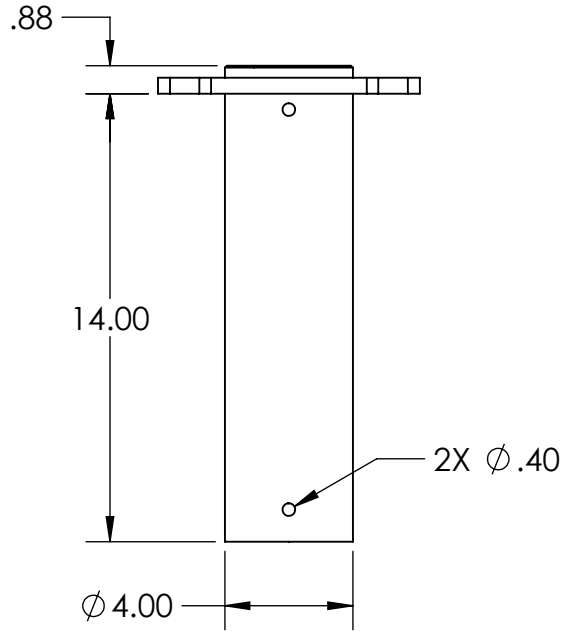


2

1

B

B




ISOMETRIC VIEW

A

A

PROPRIETARY AND CONFIDENTIAL
 THE INFORMATION CONTAINED IN THIS DRAWING IS THE SOLE PROPERTY OF OZ LIFTING PRODUCTS. ANY REPRODUCTION IN PART OR AS A WHOLE WITHOUT THE WRITTEN PERMISSION OF OZ LIFTING PRODUCTS IS PROHIBITED.

UNLESS OTHERWISE SPECIFIED:		NAME	DATE		
DIMENSIONS ARE IN INCHES		DRAWN	JMR		2/11/2022
TOLERANCES:		CHECKED			
FRACTIONAL ± 1/16		ENG APPR.			
ANGULAR: MACH ± 1/2 degree		MFG APPR.			
TWO PLACE DECIMAL ±.02		Q.A.			
THREE PLACE DECIMAL ±.005		COMMENTS:		TITLE: 500lb SOC Base	
SPECIFIC TOLERANCES TO BE CALLED OUT IF NEEDED.				SIZE Part # REV	
MATERIAL Assembly				A OZSOC3 A	
FINISH Zinc Plated				SCALE: 1:6 WEIGHT: 20.31 SHEET 2 OF 2	
DO NOT SCALE DRAWING					

2

1