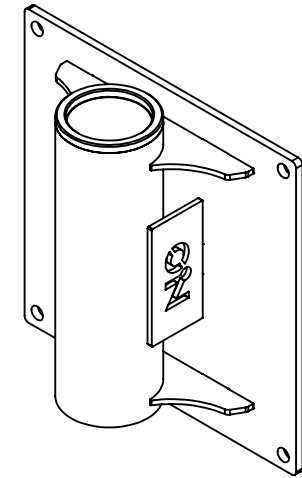
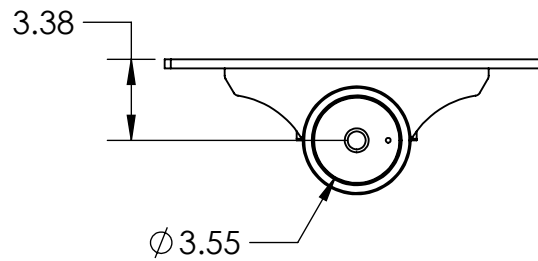
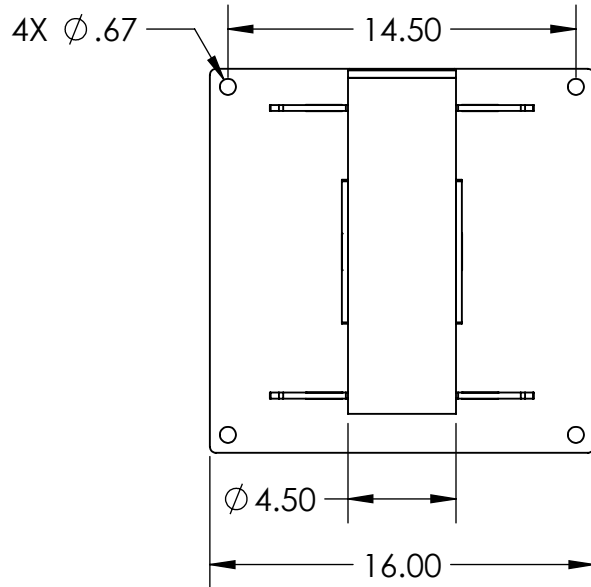


2

1

B



ISOMETRIC VIEW

B

A

UNLESS OTHERWISE SPECIFIED:

DIMENSIONS ARE IN INCHES
 TOLERANCES:
 FRACTIONAL $\pm 1/16$
 ANGULAR: MACH $\pm 1/2$ degree
 TWO PLACE DECIMAL $\pm .02$
 THREE PLACE DECIMAL $\pm .005$

SPECIFIC TOLERANCES TO BE
 CALLED OUT IF NEEDED.

MATERIAL
 Assembly

FINISH
 Slv Sprkl Pwdrcat

DO NOT SCALE DRAWING

DRAWN

NAME

DATE

JMR

9/28/2022

CHECKED

ENG APPR.

MFG APPR.

Q.A.

COMMENTS:

TITLE:

Wall Mount Base

SIZE

A

Part #

OZWALL1-TP

REV

A

SCALE: 1:8

WEIGHT: 47.078

SHEET 2 OF 2

PROPRIETARY AND CONFIDENTIAL
 THE INFORMATION CONTAINED IN THIS
 DRAWING IS THE SOLE PROPERTY OF
 OZ LIFTING PRODUCTS. ANY
 REPRODUCTION IN PART OR AS A WHOLE
 WITHOUT THE WRITTEN PERMISSION OF
 OZ LIFTING PRODUCTS IS
 PROHIBITED.

2

1

A