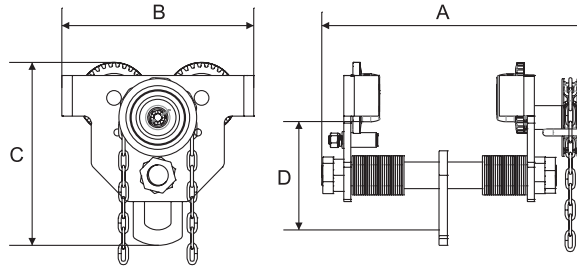


GEARED BEAM TROLLEY



Features

- Lightweight robust construction
- Fits most I, S, and W-Beams
- Durable baked enamel paint protection
- Gearing for positive load positioning
- Precision ball bearing trolley wheels
- Anti-drop plate
- Individual test certificate & serial number
- Zinc plated hand chain standard. Stainless steel hand chain available on request

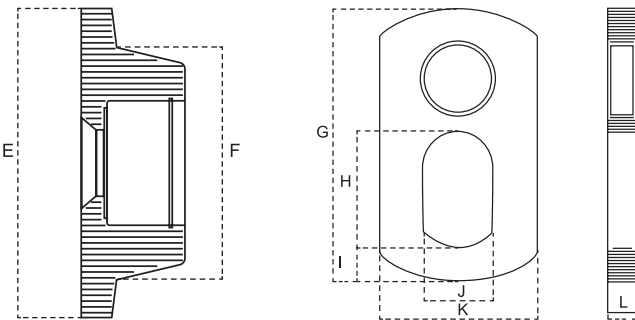


	OZ1GBT	OZ2GBT	OZ3GBT	OZ5GBT	OZ10GBT	OZ20GBT	OZ30GBT
Capacity (tons)	1	2	3	5	10	20	30
Adjustable Flange Width (in)	2.52-8	3.46-8	3.46-8	3.46-8	4.88-8	5.39-13	5.83-13
Max Flange Thickness (in)	1.50	1.61	1.81	2.28	1.97	2.17	2.36
Product Dimensions (in)	A	14.96	15.20	16.38	17.09	15.59	26.61
	B	9.45	10.63	12.60	13.62	16.77	20.79
	C	8.41	10.28	12.48	15.08	15.75	19.65
	D	4.90	6.08	7.30	9.09	8.31	9.96
Minimum Radius Curve (ft)	3.28	4.27	4.92	5.25	8.3	16.40	16.40
Net Weight (lbs)	29	42	62	90	183	406	650
Standard Length of Hand Chain (ft)	9.00	9.00	9.00	9.00	9.00	9.00	9.00
Effort to Pull (lbs)	10	18	29	24	42	18	24
Chain pulled to move one foot (ft)	3.80	3.90	3.70	4.02	18.90	47.83	31
Bail Pins	1	1	1	1	2	2	2

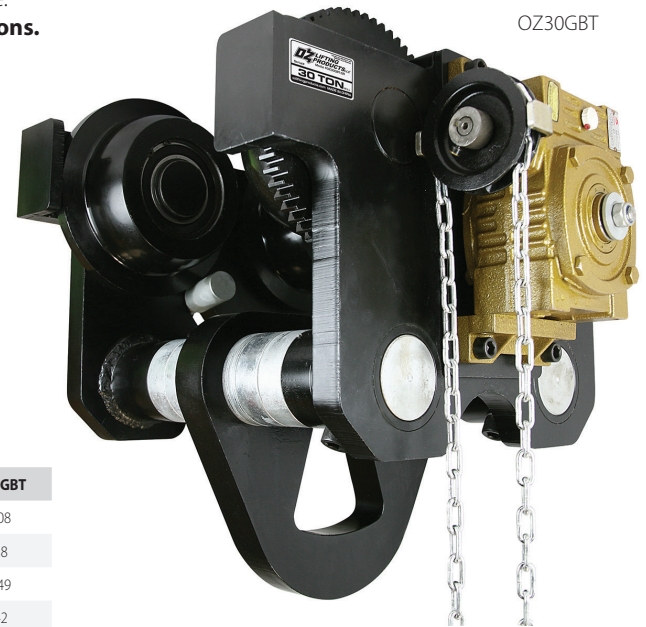
Standards - CE,
ASME/ANSI B30.17



Dimensions and illustrations are for reference only and subject to change without notice.
50 and 100 T models available. Special order only. Please contact for specifications.



	OZ1GBT	OZ2GBT	OZ3GBT	OZ5GBT	OZ10GBT	OZ20GBT	OZ30GBT
E (in)	3.50	4.00	5.79	6.30	7.45	8.86	10.08
F (in)	2.48	2.68	4.34	4.81	5.95	6.68	7.88
G (in)	3.86	5.31	7.09	8.67	11.23	9.72	12.49
H (in)	1.46	2.01	2.96	3.75	4.73	4.53	6.42
I (in)	0.51	0.87	1.03	1.38	1.78	2.96	2.95
J (in)	1.02	1.50	1.78	2.37	3.23	4.25	5.91
K (in)	1.91	2.76	3.94	4.73	5.91	14.17	16.14
L (in)	0.39	0.47	0.63	0.79	0.99	1.38	1.97



With Gear Reduction
20 and 30 T

Dimensions and illustrations are for reference only and subject to change without notice.

