

EN

OPERATOR'S MANUAL

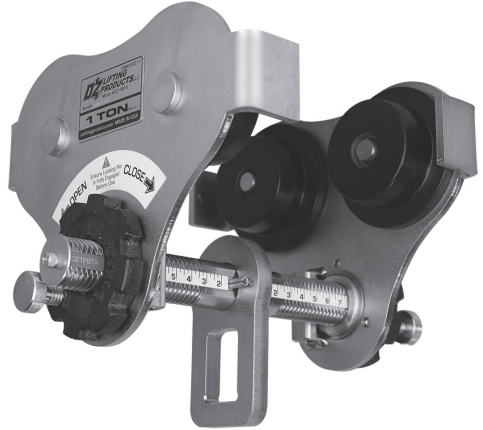


PUSH BEAM TROLLEY FALL PROTECTION SERIES

100% made in the USA.

**0.5 TON
THROUGH
1 TON**

**310 lbs. combined
user and tools
fall protection.**



FALL PROTECTION

**This product meets or exceeds
OSHA 1926.502 and OSHA 1910.140
standards for fall protection.**



P.O. Box 845, Winona, MN 55987
Phone (800) 749-1064
(507) 474-6250
Tech Support (507) 457-3346
Fax (507) 452-5217
sales@ozliftingproducts.com
www.ozliftingproducts.com

Table of Contents

Pg.3 Warranty

Pg.4 Introduction / Product Applications and Limitations

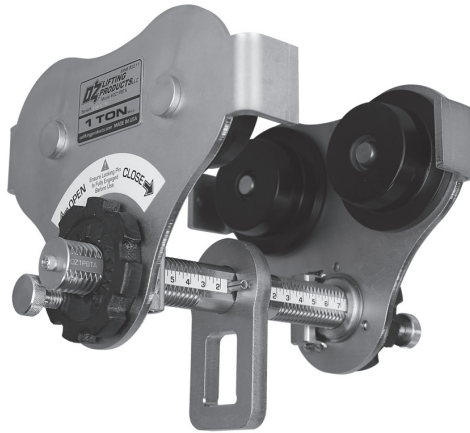
Pg.5 Product Applications and Limitations

Pg.6 Components and Specifications

Pg.7 Installation / Maintenance, Cleaning, & Storage

Pg.8 Inspection / Safety Warnings

Pg.9 Push Beam Trolley Inspection Log



FALL PROTECTION

Warranty

OZ Lifting Products LLC® guarantees this product to be free of defects in materials and workmanship for ten years from the date of shipment.

This warranty does not apply to products that show signs of misuse, overloading, alteration, improper maintenance or negligence. The normal wear and tear of moving parts is excluded from the warranty. Moving parts are defined as brake discs, wire rope and other wear components that are subject to use conditions. This warranty does not cover any costs related to removal of this product, lost time, or any other incidental or consequential damages/costs resulting from the claimed defects.

If this product fails during the first ten years of operating due to defective materials or workmanship, it will be repaired or replaced at the discretion of OZ Lifting Products LLC®. Any product subject to a warranty claim must be returned, prepaid, to an authorized OZ Lifting Products LLC® warranty depot along with proof of purchase. Upon repair, the product will be returned to the customer free of charge. If no defect is found, the customer will be responsible for return shipping costs. The product's warranty will be effective for the remainder of the original warranty period (ten years from shipment date).

OZ Lifting Products LLC® will not be held liable for the following arising from the use of this product: injuries to persons or property, death, incidental, consequential, or contingent damages, whether negligent or deliberate. It is the sole responsibility of the owner to install and operate the product properly and safely.

This is OZ Lifting Products LLC®'s only written warranty. This warranty is in lieu of all other warranties implied by law such as merchantability and fitness. The sale of products from OZ Lifting Products LLC® under any other warranty or guarantee, expressed or implied, is not authorized.

NOTE: OZ Lifting Products LLC® has the right to alter the design of or discontinue the production of any product without prior notice.

For more information please contact:



P.O. Box 845, Winona, MN 55987

Phone (800) 749-1064

(507) 474-6250

Tech Support (507) 457-3346

Fax (507) 452-5217

sales@ozliftingproducts.com

www.ozliftingproducts.com

Introduction

Thank you for purchasing your OZ Lifting Products LLC® **Fall Protection Series Push Beam Trolley**. The information in this manual should be used only for the **Push Beam Trolley**. This manual contains general instructions dealing with the normal installation, operation, and maintenance of the product described herein only. This manual is not intended to provide instruction on the usage of any other component of your personal fall arrest system. It is the user's responsibility to ensure that all components of the personal fall arrest system are suitable for use and are used correctly. The information provided should not be expected to prepare the user for all possible circumstances.

This product should not be installed, operated, or maintained by any person who has not read all the contents of these instructions. Failure to read and comply with these instructions, warnings, or limitations noted might result in bodily injury, death, or property damage. Contact the distributor for further explanation if information is not fully understood.

It is the responsibility of the owner/user to install, test, maintain, and operate these products in accordance with OSHA regulations, other federal, state, and local regulations.



**ONLY TRAINED AND QUALIFIED PERSONNEL SHALL
OPERATE AND MAINTAIN THIS EQUIPMENT.**

This product meets or exceeds OSHA 1926.502 and OSHA 1910.140 standards for fall protection.

Product Applications and Limitations

This **Fall Protection Series Push Beam Trolley** may be used to support one personal fall arrest system. Any structure upon which this trolley is installed must be able to withstand loads of at least 5,000 lbs in any direction fall arrest forces may occur. This trolley is designed to withstand vertical fall arresting forces. Users should try to remain in line with the trolley as much as possible. Every precaution must be taken to avoid swing falls. These can cause dangerous situations that could overcome the personal fall arrest system and may cause serious injury. In the event of the trolley being subjected to a fall arrest, it must be taken out of service and pass an inspection by a qualified person before it can be returned to service.

Prior to use, confirm that there is sufficient clearance below the anchorage connector to arrest a fall before the user strikes the ground or an obstruction. Start all fall clearance calculations from the anchor point on the trolley, not the beam itself, as this distance may change due to different beam width. It is necessary to account for the following, and all other applicable factors, when calculating fall clearance:

MINIMUM three-foot safety factor, deceleration distance, user height, and length of lanyard/SRL.

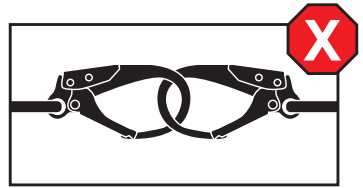
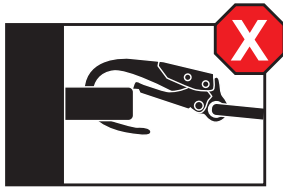
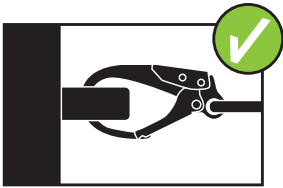
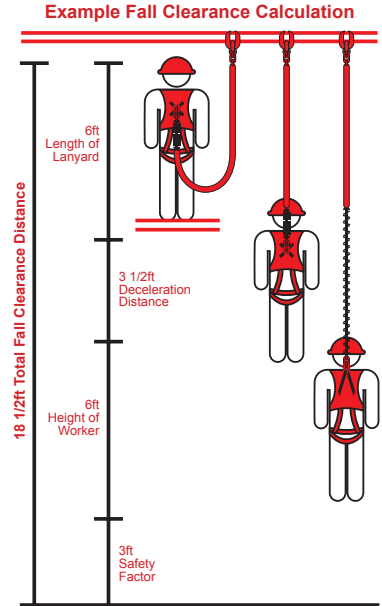


Ensure proper fall clearance is present for specific equipment being used.

NOTE: The maximum allowable free fall distance for lanyards must not exceed six feet. No free fall allowed for non-LE SRLs. Class A SRLs must arrest falls within 24 inches; Class B SRLs must arrest falls within 54 inches.

When Attaching Personal Fall Arrest System Components to Fall Protection Series Push Beam Trolley:

- Ensure the connector attached to the trolley is suitable and fully compatible with the trolley in use. It must be large enough that it completely encircles the bail and locks in that position.
- Ensure the connector is not designed/oriented in such a way as to cause excess load to be applied to the gate of the connector.
- Avoid any situation that could cause the connector to open unexpectedly, including roll-out.
- Do not use improper connectors or misuse proper connectors as this could cause serious injury.

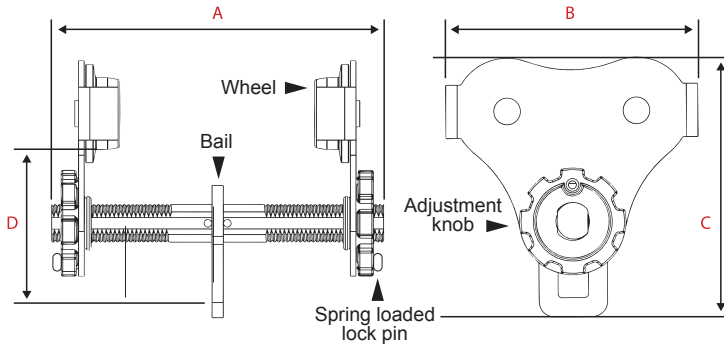


Material Handling Usage

Any usage of the trolley for material handling purposes must be treated in the same way as a fall arrest. After any type of material handling usage, the trolley must be removed from service and pass an inspection by a qualified person prior to returning it to service as part of a personal fall arrest system.



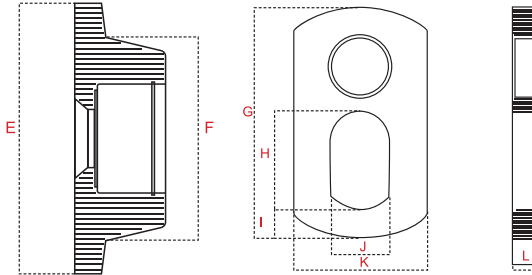
Components and Specifications



Specification

	OZ05PBTA-MR	OZ1PBTA-MR
Material Handling Load	1,000 lbs.	2,000 lbs.
Fall Protection*	310 lbs.	310 lbs.
Adjustable Flange Width	2.75"- 8.00"	2.75"- 8.00"
Minimum Radius Curve	2.75 ft.	3.35 ft.
A	11"	11"
B	8.3"	10.2"
C	8.5"	9.8"
D	5"	5.5"
Net Weight	16 lbs.	26 lbs.

*User and tools combined.

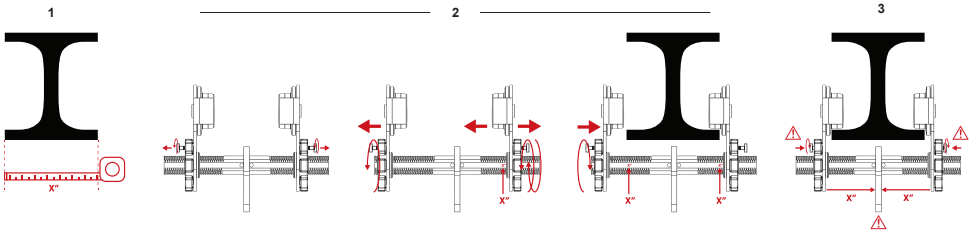


Wheel & Bail Dimensions

	OZ05PBTA-MR	OZ1PBTA-MR
E	3.25"	4.00"
F	2.38"	3.00"
G	4.38"	5.00"
H	1.50"	1.88"
I	0.63"	0.63"
J	1.00"	1.25"
K	2.25"	2.50"
L	0.38"	0.50"

Installation

Check for damage during shipment prior to installation. Do not install or use a damaged product. Be sure to maintain records of all accompanying product information. Contact your OZ Lifting Products LLC® dealer if there are any problems or questions. Read and comply with all instructions and warnings furnished with or attached to the product as applicable.



1. Prior to installation, measure the width of the beam flange.

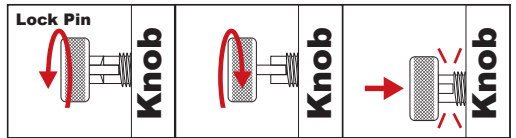
2. Adjust one side of the trolley to the flange measurement (e.g. If beam measures 6 inches, set the trolley to 6 inches on ruler guide). Open opposite side of trolley to fit over the beam.

NOTE: To adjust trolley into place on beam, pull out spring loaded lock pin on either side and twist 90 degrees. This position allows the adjustment knob to spin freely until desired width is achieved. To lock trolley into place, twist lock pin an additional 90 degrees until it clicks. Then spin adjustment knob counterclockwise to nearest locking position.

3. Once trolley is installed, verify that the bail is centered on the beam by checking for equal measurements on both sides of the ruler guide.

4. Removal of the trolley is the reverse of installation.

WARNING: Ensure that lock pins are fully extended and locked in place prior to operation. Fig.1A



Warning: Beam trolley operators should read and fully comprehend this entire manual and all warnings on the trolley before use. If this manual is not read and followed completely, injuries may occur. Proper use of this beam trolley is only part of the safe operation of your personal fall arrest system. Ensure that all components of your personal fall arrest system are being used correctly and are in good condition.

All Persons MUST: Be trained in proper operation and in dealing with potential malfunctions of personal fall arrest systems. Abstain from use of alcohol, medications, or drugs while operating. Avoid operation while tired or distracted. Avoid operation if they have a history of seizures or other medical issues that may interfere with operation.

NOTE: Prior to operation, ensure that the **Beam Trolley** is in proper working condition and maintenance records are up to date. Please refer to the manual for your specific fall protection device for proper operation.

Maintenance, Cleaning and Storage

Ensure that the work area is free of debris, rot, rust, decay, cracking, and hazardous materials. A stable work area is required for use. Dirt, corrosives, and contaminants should be cleaned with water as necessary. Mild soap can be used if necessary, though a thorough rinse and dry is mandatory. Lightly lubricate all moving parts after cleaning. Never clean the trolley with corrosive substances. Always store your trolley where it will not be subjected to heat, light, excessive moisture, chemicals, or other elements.

Inspection

In order to maintain quality operation of the product, a regular inspection schedule should be followed by each operator. All inspections should be reported and maintained in a dated record log located at the end of this manual. You will notice that the first entry has been made as the trolley passed an inspection prior to leaving OZ Lifting Products headquarters. These records should be available to all personnel involved with the product and should be made available to OZ Lifting Products LLC® when a warranty issue is in question.

Operators should inspect trolley before each usage. Each **trolley** must pass an inspection by a qualified person every six months to remain in service. Inspect for wear, damage, cuts, cracks, corrosion, impact damage, pits, burrs, rough surfaces, sharp edges, rust, paint build-up, excessive heating, alteration, and missing or illegible labels. During any inspection, also test that the **trolley** functions smoothly and that the spindle threads are in good condition. If any problems are observed, the **trolley** should be placed out of service until it can be repaired. Use only OZ Lifting Products LLC® for replacement parts. The **trolley** should be taken annually to an authorized repair center for professional inspection.

Worker Classifications

Designated Person - The person who is selected or assigned as being competent to perform specific duties.

Qualified Person - The person that—by possession of a recognized degree or certificate of professional standing, or through extensive knowledge, training, and experience—has successfully demonstrated they are able to resolve problems relating to the subject matter and work.

Safety Warnings

Push Beam Trolley (Personal Fall Protection Usage)

- Do Not** use any trolley that has not passed inspection by a qualified person within the past six months.
- Do Not** alter or misuse equipment.
- Do Not** use in a non-compliant manner.
- Do Not** operate in a workplace that has not been assessed for proper use.
- Do Not** purchase used personal fall arrest systems.
- Do Not** use non-compliant harnesses and connectors.
- Do Not** operate without a rescue procedure in place.
- Do Not** use to hang, lift, support, or to hoist tools or equipment.
- Do Not** use without records of proper inspection.
- Do Not** use trolley as an anchor point for more than one personal fall arrest system.

Push Beam Trolley (Material Handling Usage)

- Do Not** lift more than the designated load range.
- Do Not** lift people or lift loads over people.
- Do Not** operate a damaged or malfunctioning product.
- Do Not** remove, deface, or cover warning labels.
- Do Not** operate until personnel are warned and cleared from the area.
- Do Not** use if load is not suspended vertically.
- Do Not** use trolley without locking firmly in place.
- Do Not** use trolley as a welding ground.
- Do Not** add lengthening pieces to the beam clamp lever.
- Do Not** weld on the lifted load.
- Do Not** open the trolley when it is holding a load.
- Do Not** use trolley in corrosive environments.
- Do Not** use connections between the trolley and load.
- Do Not** allow the load to swing.



WARNING: Failure to read and comply with these safety warnings may result in a hazardous situation that could lead to death, serious injury, or property damage.

FR

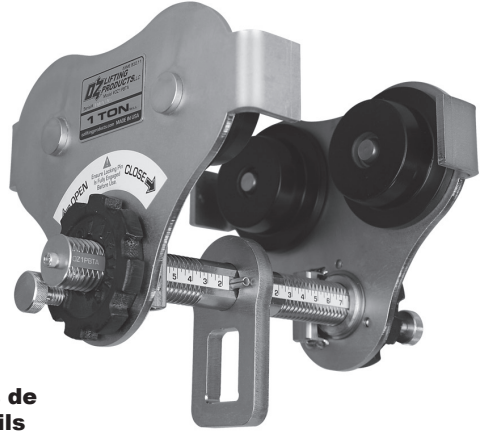


GUIDE DE L'OPÉRATEUR

CHARIOT DE POUTRE À POUSSER SÉRIE PRÉVENTION DES CHUTES

100 % fabriqué aux États-Unis.

**0,5 TONNE
À 1 TONNE**



**Prévention des chutes de
l'utilisateur et des outils
de 310 lb en tout.**

FALL PROTECTION

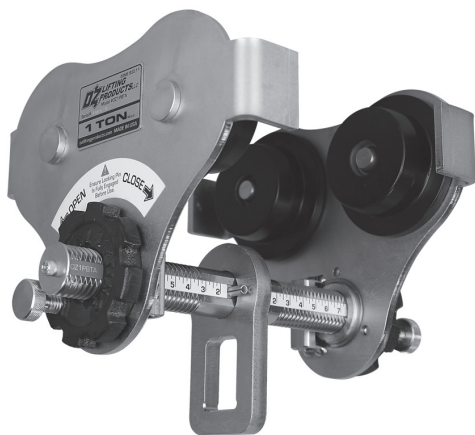
**Ce produit répond ou dépasse les normes
OSHA 1926.502 et OSHA 1910.140
pour la prévention des chutes ou les dépasse.**

**OZ LIFTING
PRODUCTS**

P.O. Box 845, Winona, MN 55987
Téléphone +1 (800) 749-1064
+1 (507) 474-6250
Soutien technique +1 (507) 457-3346
Télécopieur +1 (507) 452-5217
sales@ozliftingproducts.com
www.ozliftingproducts.com

Table des matières

p. 3	Garantie
p. 4	Introduction/Applications du produit et limitations
p. 5	Applications du produit et limitations
p. 6	Composants et spécifications
p. 7	Installation/Entretien, nettoyage et rangement
p. 8	Inspection/Avertissements de sécurité
p. 9	Journal d'inspection de chariot de poutre à pousser



FALL PROTECTION

Garantie

OZ Lifting Products LLC® garantit ce produit contre les défauts de fabrication et de conception pendant dix ans à compter de la date d'expédition.

Cette garantie ne s'applique pas aux produits indiquant qu'il y a eu abus, surcharge, altération, mauvais entretien ou négligence. L'usure normale des pièces en mouvement est exclue de la garantie. Exemples de pièces en mouvement : disques de frein, câbles métalliques et autres composants qui s'usent. Cette garantie ne couvre pas les coûts liés au retrait de ce produit, au temps perdu ou autres dommages/coûts accessoires ou consécutifs liés aux déficiences contre lesquelles il y a réclamation.

Si ce produit tombe en panne dans les dix premières années pour cause de fabrication ou de conception, il sera réparé ou remplacé à la discrétion de OZ Lifting Products LLC®. Tout produit sous garantie pour lequel il y a réclamation doit être retourné prépayé à un dépôt de garantie OZ Lifting Products LLC® avec preuve d'achat. Une fois réparé, le produit sera retourné au client sans frais. S'il devait s'avérer qu'il n'y avait aucune déficience, les frais d'expédition de retour seront imputés au client. La garantie du produit continuera pour le reste de la période originale (dix ans à compter de la date d'expédition).

OZ Lifting Products LLC® n'est pas responsable de ce qui suit relatif à l'utilisation de ce produit : blessures ou dommages matériels, morts, dommages accessoires, consécutifs ou indirects, que ce soit par négligence ou à dessein. Il incombe exclusivement au propriétaire d'installer et de faire fonctionner le produit convenablement et sécuritairement.

Il s'agit de la seule garantie écrite de OZ Lifting Products LLC®. Cette garantie est en lieu et place de toute autre garantie qu'implique la loi, p. ex. qualité marchande ou aptitude. La vente de produits OZ Lifting Products LLC® en vertu de toute autre garantie expresse ou impliquée n'est pas autorisée.

REMARQUE : OZ Lifting Products LLC® a le droit de modifier la conception ou de discontinuer la production de tout produit sans préavis.

Pour en savoir plus, contacter :



P.O. Box 845, Winona, MN 55987

Téléphone +1 (800) 749-1064

+1 (507) 474-6250

Soutien technique +1 (507) 457-3346

Télécopieur +1 (507) 452-5217

sales@ozliftingproducts.com

www.ozliftingproducts.com

Introduction

Merci d'avoir acheté votre **chariot de poutre à pousser série prévention des chutes** OZ Lifting Products LLC®. Les renseignements que contient ce manuel doivent être utilisés exclusivement pour le **chariot de poutre à pousser**. Ce manuel contient des instructions générales sur l'installation, le fonctionnement et l'entretien normaux du produit décrit aux présentes seulement. Ce manuel ne contient aucune instruction sur l'utilisation de quelque autre composant de votre système de prévention des chutes personnel que ce soit. Il incombe à l'utilisateur de s'assurer que tous les composants du système de prévention des chutes personnel conviennent à l'utilisation et qu'ils fonctionnent bien. Vous ne devez pas prendre pour acquis que les renseignements fournis préparent l'utilisateur pour toute circonstance possible.

Ce produit ne doit pas être installé, opéré ou entretenu par quiconque n'ayant pas lu ces instructions au complet. Si vous ne lisez pas ces instructions, avertissements ou limitations ou que vous ne vous y conformez pas, il pourrait y avoir blessures, morts ou dommages matériels. Contacter le distributeur pour en savoir plus si vous ne comprenez pas toutes les instructions.

Il incombe au propriétaire/à l'utilisateur d'installer, de mettre à l'essai, d'entretenir et de faire fonctionner ces produits conformément aux règlements de l'OSHA et aux autres règlements fédéraux, d'État et locaux.



**SEULES DES PERSONNES FORMÉES ET QUALIFIÉES
DOIVENT FAIRE FONCTIONNER ET ENTREtenir
CET ÉQUIPEMENT.**

Ce produit satisfait aux normes OSHA 1926.502 et OSHA 1910.140 pour la prévention des chutes ou les dépas.

Applications du produit et limitations

Ce **chariot de poutre à pousser série prévention des chutes** peut être utilisé pour un système de prévention des chutes personnel. Toute structure sur laquelle ce chariot est fixé doit pouvoir accepter des charges d'au moins 5 000 lb dans quelque direction qu'il peut y avoir chute. Ce chariot est conçu pour résister aux forces de prévention des chutes verticales. Les utilisateurs doivent essayer de rester alignés avec le chariot dans la mesure du possible. Vous devez faire votre possible pour prévenir les chutes dues au balancement. Des situations dangereuses peuvent alors se produire dépassant le système de prévention des chutes personnel et occasionnant des blessures graves. Si jamais le chariot devait prévenir une chute, il doit être mis hors service et inspecté par une personne qualifiée avant d'être remis en service.

Avant de l'utiliser, confirmer qu'il y a un dégagement suffisant sous le connecteur d'ancrage pour arrêter la chute avant que l'utilisateur s'écrase sur le sol ou sur une obstruction. Commencer tout calcul de dégagement de chute depuis le point d'ancrage sur le chariot et non depuis la poutre elle-même, cette distance pouvant changer en fonction de la largeur de la poutre. Vous devez prendre en compte ce qui suit, ainsi que tous les autres facteurs applicables, quand vous calculez le dégagement de chute : facteur de sécurité de trois pieds **MINIMUM**, distance de décélération, taille de l'utilisateur et longueur de la lanier/SRL.

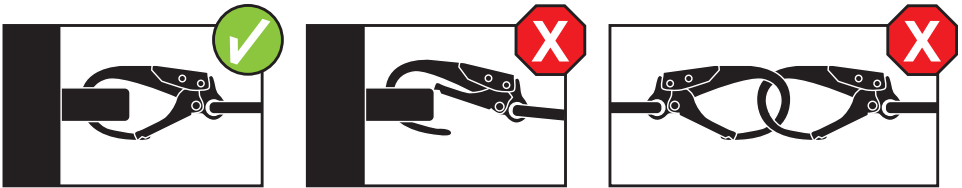
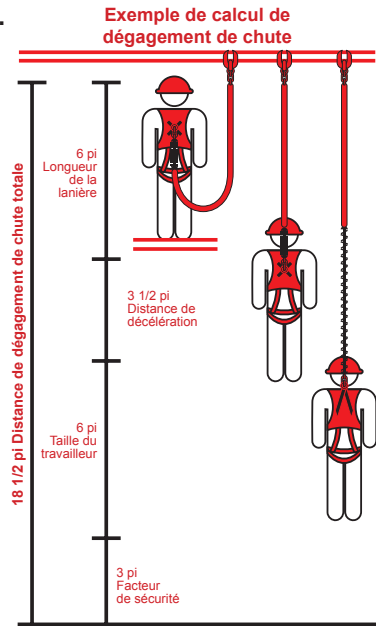


S'assurer que le dégagement de chute approprié existe pour l'équipement spécifique utilisé.

REMARQUE : La distance de chute libre maximum permise pour les lanières ne doit pas dépasser six pieds. Aucune chute libre permise pour les SRL non LE. Les SRL de classe A doivent arrêter une chute dans les 24 premiers pouces; Les SRL de classe B doivent arrêter une chute dans les 54 premiers pouces.

Quand vous fixez les composants du système de prévention des chutes personnel à un chariot de poutre à pousser série prévention des chutes :

- S'assurer que le connecteur fixé au chariot est approprié et tout à fait compatible avec le chariot utilisé. Il doit être suffisamment large pour encercler complètement l'anse et se bloquer dans cette position.
- S'assurer que le connecteur n'est pas conçu/orienté de façon à faire en sorte qu'une charge excessive doive être appliquée à la porte du connecteur.
- Éviter toute situation qui pourrait faire en sorte que le connecteur soit ouvert par inadvertance, y compris se déroule.
- Ne pas utiliser de mauvais connecteurs ou utiliser à mauvais escient les bons connecteurs, des blessures graves pouvant se produire.

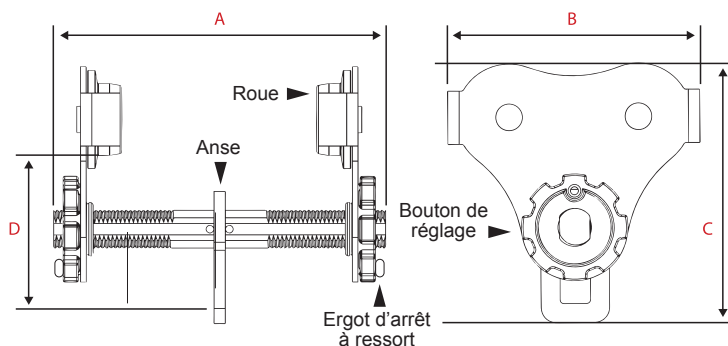


Manipulation des matériaux

Quand vous utilisez le chariot pour manipuler des matériaux, vous devez vous en servir comme si vous l'utilisiez pour prévenir des chutes. Après que vous avez manipulé quelque matériau que ce soit, le chariot doit être mis hors service et inspecté par une personne qualifiée avant qu'il soit remis en service en tant qu'élément d'un système de prévention des chutes personnel.



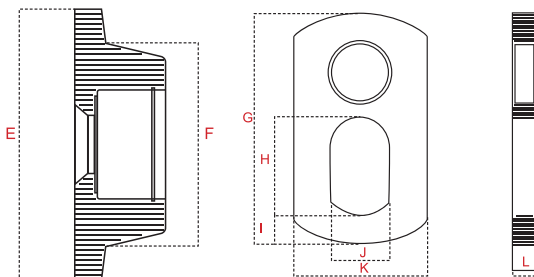
Composants et spécifications



Spécifications

	OZ05PBTA-MR	OZ1PBTA-MR
Capacité de charge de matériaux	1 000 lb	2 000 lb
Prévention des chutes*	310 lb	310 lb
Largeur de joue ajustable	2,75 po - 8,00 po	2,75 po - 8,00 po
Rayon de la courbe minimum	2,75 pi	3,35 pi
A	11 po	11 po
B	8,3 po	10,2 po
C	8,5 po	9,8 po
D	5 po	5,5 po
Poids net	16 lb	26 lb

*Utilisateur et outils combinés.

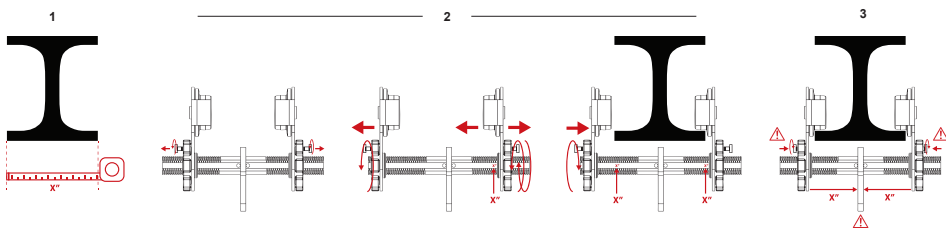


Dimensions de la roue et de l'anse

	OZ05PBTA-MR	OZ1PBTA-MR
E	3,25 po	4,00 po
F	2,38 po	3,00 po
G	4,38 po	5,00 po
H	1,50 po	1,88 po
I	0,63 po	0,63 po
J	1,00 po	1,25 po
K	2,25 po	2,50 po
L	0,38 po	0,50 po

Installation

Vérifier s'il y a eu des dommages occasionnés en transit avant d'installer. Ne pas installer ou ne pas utiliser un produit endommagé. S'assurer de conserver des dossiers de tous les renseignements afférents. Communiquer avec votre concessionnaire OZ Lifting Products LLC® pour tout problème ou toute question. Lire et respecter tous les instructions et avertissements que contient le produit ou qui y sont joints, le cas échéant.



1. Avant d'installer, mesurer la largeur de la joue de la poutre.

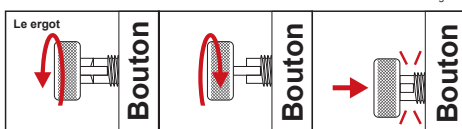
2. Ajuster un côté du chariot selon la mesure de la joue (p. ex. si la poutre mesure 6 pouces, régler le chariot à 6 pouces sur la règlelette d'appui). Ouvrir le côté opposé du chariot et le placer sur la poutre.

REMARQUE : Pour ajuster le chariot sur la poutre, sortir l'ergot d'arrêt à ressort de chaque côté et pivoter à 90 degrés. Ainsi, le bouton de réglage peut pivoter librement jusqu'à ce que la largeur désirée soit atteinte. Pour bloquer le chariot en place, faire tourner l'ergot d'arrêt 90 degrés de plus jusqu'à ce qu'un clic se fasse entendre. Puis tourner le bouton de réglage dans le sens antihoraire jusqu'à la position de blocage suivante.

3. Le chariot installé, s'assurer que l'anse est centrée sur la poutre en vous assurant que les mesures sont égales de chaque côté de la règlelette d'appui.

4. Désinstaller le chariot est l'inverse de l'installer.

AVERTISSEMENT : S'assurer que les boutons de réglage sont complètement sortis et bloqués en place avant de faire fonctionner. Fig. 1A



Avertissement : Les opérateurs de chariot de poutre doivent lire et bien comprendre tout ce manuel et tous les avertissements avant d'utiliser le chariot. Si on ne lit pas ce manuel et qu'on ne s'y conforme pas, cela peut entraîner des blessures. Bien utiliser ce chariot est une partie seulement du fonctionnement sécuritaire de votre système de prévention des chutes personnel. S'assurer d'utiliser tous les composants de votre système de prévention des chutes personnel à bon escient et qu'ils sont en bon état.

Tout le personnel DOIT : Être formés quant au bon fonctionnement et à la prise en charge des défaillances potentielles des systèmes de prévention des chutes personnels. Ne pas utiliser d'alcool, de médicaments ou de drogues pendant le fonctionnement. Éviter le fonctionnement en cas de fatigue ou de distraction. Éviter le fonctionnement si l'opérateur a un historique de crises ou autres troubles médicaux qui risquent de nuire au fonctionnement.

REMARQUE : Avant de s'en servir, s'assurer que le chariot de poutre fonctionne bien et que les dossiers d'entretien sont à jour. Veuillez consulter le manuel de votre appareil de prévention des chutes spécifique.

Entretien, nettoyage et entreposage

S'assurer que la zone de travail ne contient aucuns débris, pourrissement, rouille, décomposition, fissures et matières dangereuses. Il faut une zone de travail stable. On doit nettoyer la saleté, les décapants et les contaminants avec de l'eau, au besoin. On peut utiliser un savon doux, au besoin, mais il faut bien rincer et sécher. Lubrifier légèrement toutes les pièces en mouvement après nettoyage. Ne jamais nettoyer le chariot avec des décapants. Toujours ranger le chariot là où la chaleur, la lumière, l'humidité excessive, les produits chimiques ou autres éléments ne sauront l'affecter.

Inspection

Pour que la qualité de fonctionnement du produit soit bonne, l'opérateur doit faire inspecter le produit régulièrement. Toutes les inspections doivent être consignées et conservées dans le journal daté à la fin de ce manuel. Vous remarquerez que la première entrée a été faite lorsque le chariot a réussi une inspection avant de quitter le siège social de OZ Lifting Products®. Ces dossiers doivent être accessibles à tout le personnel qui utilise le produit et à OZ Lifting Products LLC® lorsqu'il y a un problème lié à la garantie.

Les opérateurs doivent inspecter le chariot avant chaque utilisation. Chaque **chariot** doit réussir une inspection de la part d'une personne qualifiée tous les six mois pour qu'on puisse continuer à s'en servir. Inspecter pour usure, dommages, coupures, fissures, corrosion, dommages après impact, trous, bavures, surfaces rugueuses, bords tranchants, rouille, accumulation de peinture, chaleur excessive, altération et étiquettes manquantes ou illisibles. En cours d'inspection, s'assurer aussi que le **chariot** fonctionne bien et que les filets de l'axe sont en bon état. Si vous remarquez des problèmes, mettre le **chariot** hors service jusqu'à ce qu'il soit réparé. Utiliser seulement des pièces de rechange provenant de OZ Lifting Products LLC®. Vous devez apporter le **chariot** à un centre de réparation autorisé tous les ans aux fins d'inspection professionnelle.

Classification des travailleurs

Personne désignée – une personne sélectionnée ou affectée qui est en mesure d'exécuter les tâches spécifiques.

Personne qualifiée – une personne qui possède un diplôme ou certificat de compétence professionnelle reconnu ou qui, grâce à ses connaissances, à sa formation à son expérience exhaustives, a démontré avec succès qu'elle peut résoudre les problèmes liés à la matière et au travail.

Avertissements de sécurité

Chariot de poutre à pousser (pour la prévention des chutes personnelles)

Ne pas utiliser quelque chariot que ce soit qui n'a pas été inspecté par une personne qualifiée au cours des six derniers mois.

Ne pas modifier ou utiliser l'équipement à mauvais escient.

Ne pas utiliser de façon non conforme.

Ne pas faire fonctionner là où on n'a toujours pas déterminé qu'il puisse être utilisé.

Ne pas acheter des systèmes de prévention des chutes personnels d'occasion.

Ne pas utiliser des harnais et des connecteurs non conformes.

Ne pas faire fonctionner sans qu'il existe de procédure de sauvetage.

Ne pas utiliser pour suspendre, lever, supporter ou hisser des outils ou de l'équipement.

Ne pas utiliser sans dossiers dans lesquels les inspections ont été consignées.

Ne pas utiliser un chariot comme point d'ancrage pour plus d'un système de prévention des chutes personnel.

Chariot de poutre à pousser (pour la manutention des matériaux)

Ne pas lever plus que la capacité de charge désignée.

Ne pas lever de personnes ou de charges au-dessus de personnes.

Ne pas faire fonctionner un produit endommagé ou qui ne fonctionne pas correctement.

Ne pas enlever, dégrader ou couvrir les étiquettes d'avertissement.

Ne pas faire fonctionner avant d'avoir averti le personnel et qu'il ait eu le temps de céder la place.

Ne pas utiliser si la charge n'est pas suspendue à la verticale.

Ne pas utiliser le chariot sans le bloquer fermement.

Ne pas utiliser le chariot comme mise à la terre de soudage.

Ne pas ajouter de rallonges au levier de la pince de poutre.

Ne pas souder sur la charge suspendue.

Ne pas ouvrir le chariot quand il est chargé.

Ne pas utiliser le chariot dans des milieux corrosifs.

Ne pas utiliser de connexions entre le chariot et la charge.

Ne pas laisser la charge se balancer.



AVERTISSEMENT : Si vous ne lisez pas les avertissements de sécurité et que vous ne vous y conformez pas, il peut y avoir des situations dangereuses qui pourraient causer la mort, des blessures graves ou des dommages matériels.

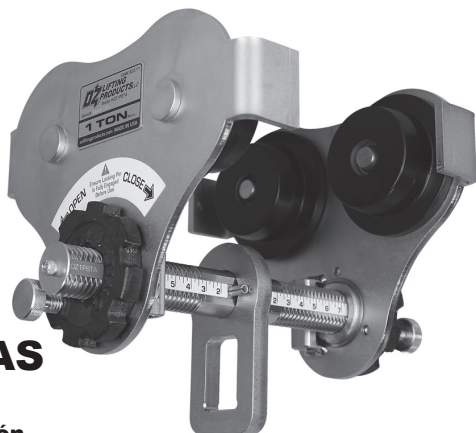
ES

MANUAL DEL OPERADOR



TROLE DE EMPUJE SERIE DE PROTECCIÓN CONTRA CAÍDAS

100% hecho en los EE. UU.



**DE 0.5
HASTA
1 TONELADAS**

**310 libras de protección
contra caídas, usuario y
herramientas combinados**

FALL PROTECTION

(PROTECCIÓN CONTRA CAÍDAS)

**Este producto cumple o supera
OSHA 1926.502 y OSHA 1910.140
estándares de protección contra caídas.**

**OZ LIFTING
PRODUCTS**

P.O. Box 845, Winona, MN 55987
Teléfono (800) 749-1064
(507) 474-6250
Apoyo técnico (507) 457-3346
Fax (507) 452-5217
sales@ozliftingproducts.com
www.ozliftingproducts.com

Table of Contents

Pág. 3. Garantía

Pág. 4. Introducción / Aplicaciones y limitaciones del producto

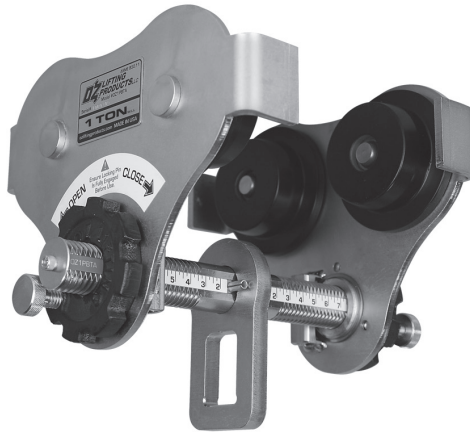
Pág. 5. Aplicaciones y limitaciones del producto

Pág. 6. Componentes y especificaciones

Pág. 7. Instalación / mantenimiento, limpieza y almacenamiento

Pág. 8. Inspección / Advertencias de seguridad

Pág. 9. Registro de inspección del trole de empuje



FALL PROTECTION

(PROTECCIÓN CONTRA CAÍDAS)

Garantía de diez años

OZ Lifting Products LLC® garantiza que este producto estará libre de defectos en materiales y mano de obra durante diez años a partir de la fecha de envío.

Esta garantía no se aplica a productos que muestran signos de mal uso, sobrecarga, alteración, mantenimiento incorrecto o negligencia. El desgaste normal de las piezas móviles está excluido de la garantía. Las partes móviles se definen como discos de freno, cable metálico y otros componentes de desgaste sujetos a condiciones de uso. Esta garantía no cubre ningún costo relacionado con la eliminación de este producto, el tiempo perdido o cualquier otro daño / costo incidental o consecuente que resulte de los defectos reclamados.

Si este producto falla durante los primeros diez años de funcionamiento debido a materiales o mano de obra defectuosos, será reparado o reemplazado a discreción de OZ Lifting Products LLC®. Cualquier producto sujeto a un reclamo de garantía debe devolverse, prepago, a un distribuidor autorizado de OZ Lifting Products LLC® junto con el comprobante de compra. Tras la reparación, el producto será devuelto al cliente de forma gratuita. Si no se encuentra ningún defecto, el cliente será responsable de los costos de envío de devolución. La garantía del producto será efectiva por el resto del período de garantía original (diez años a partir de la fecha de envío).

OZ Lifting Products LLC® no se hace responsable de lo siguiente que surja del uso de este producto: lesiones a personas o bienes, muerte, daños incidentales, consecuentes o contingentes, ya sean negligentes o deliberados. Es responsabilidad exclusiva del propietario instalar y operar el producto de manera adecuada y segura.

Esta es la única garantía escrita de OZ Lifting Products LLC®. Esta garantía reemplaza a todas las demás garantías implícitas por ley, como la comerciabilidad y la aptitud. La venta de productos de OZ Lifting Products LLC® bajo cualquier otra garantía, expresa o implícita, no está autorizada.

NOTA: OZ Lifting Products LLC® tiene el derecho de alterar el diseño o suspender la producción de cualquier producto sin previo aviso.

Para obtener más información, póngase en contacto:



P.O. Box 845, Winona, MN 55987
Teléfono (800) 749-1064
(507) 474-6250
Apoyo técnico (507) 457-3346
Fax (507) 452-5217
sales@ozliftingproducts.com
www.ozliftingproducts.com

Introducción

Gracias por comprar su **trole de empuje de serie de protección contra caídas** OZ Lifting Products LLC®. La información de este manual debe usarse solo para el **trole de empuje**. Este manual contiene instrucciones generales relacionadas con la instalación, operación y mantenimiento normales del producto descrito aquí solamente. El objetivo de este manual no es proporcionar instrucciones sobre el uso de cualquier otro componente de su sistema personal de protección contra caídas. Es responsabilidad del usuario asegurarse de que todos los componentes del sistema personal de protección contra caídas sean adecuados para su uso y se usen correctamente. No debe esperarse que la información proporcionada prepare al usuario para todas las circunstancias posibles.

Este producto no debe ser instalado, operado o mantenido por ninguna persona que no haya leído todo el contenido de estas instrucciones. No leer y cumplir con estas instrucciones, advertencias o limitaciones señaladas puede provocar lesiones corporales, la muerte o daños a la propiedad. Póngase en contacto con el distribuidor para obtener más explicaciones si la información no se comprende completamente.

Es responsabilidad del propietario / usuario instalar, probar, mantener y operar estos productos de acuerdo con las regulaciones de OSHA, otras regulaciones federales, estatales y locales.



**SÓLO PERSONAL CAPACITADO Y CALIFICADO
OPERARÁ Y MANTENDRÁ ESTE EQUIPO.**

Este producto cumple o supera OSHA 1926.502 y OSHA 1910.140 estándares de protección contra caídas.

Aplicaciones y limitaciones del producto

Este **trole de empuje** de la **serie de protección contra caídas** se puede usar para soportar un sistema personal de detención de caídas. Cualquier estructura sobre la cual se instale este trole de empuje debe ser capaz de soportar cargas de al menos 5,000 lbs en cualquier dirección en que puedan ocurrir fuerzas de detención de caídas. Este trole está diseñado para resistir las fuerzas verticales de detención de caídas. Los usuarios deben tratar de mantenerse en línea con el trole tanto como sea posible. Se deben tomar todas las precauciones para evitar las caídas en columpio. Esto puede causar situaciones peligrosas que podrían superar el sistema personal de detención de caídas y causar lesiones graves. En el caso de que el trole se someta a un arresto por caída, debe retirarse del servicio y pasar una inspección por una persona calificada antes de que pueda volver al servicio.

Antes de usar, confirme que hay suficiente espacio debajo del conector de anclaje para detener una caída antes de que el usuario golpee el suelo o una obstrucción. Comience todos los cálculos de espacio libre de caída desde el punto de anclaje del trole, no desde la viga en sí, ya que esta distancia puede cambiar debido al diferente ancho de la viga. Es necesario tener en cuenta los siguientes factores, y todos los demás factores aplicables, al calcular la separación de caída: Factor de seguridad **MÍNIMO** de tres pies, distancia de desaceleración, altura del usuario y longitud de la cuerda de seguridad / SRL.



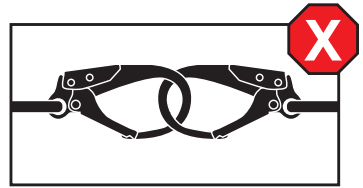
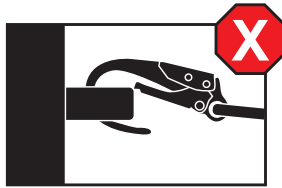
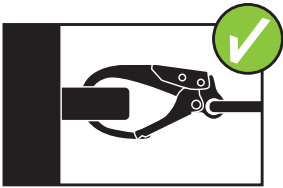
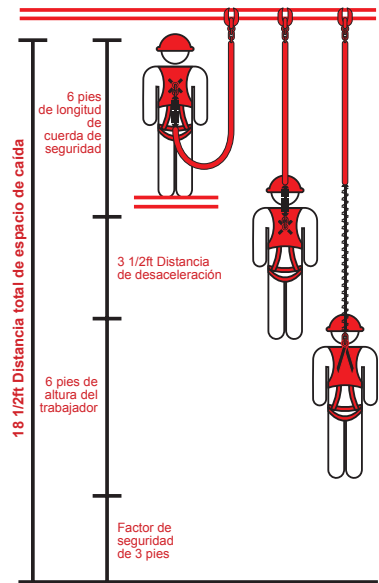
Asegúrese de que haya un espacio libre de caída adecuado para el equipo específico que se utiliza.

NOTA: La distancia máxima permitida de caída libre para las cuerdas de seguridad no debe exceder los seis pies. No se permite caída libre para SRL que no sean LE. Clase A SRLs deben detener caídas dentro de 24 pulgadas. Clase B SRLs deben detener caídas dentro de 54 pulgadas.

When Attaching Personal Fall Arrest System Components to Fall Protection Series Push Beam Trolley:

- Asegúrese de que el conector conectado al trole es adecuado y totalmente compatible con la trole de empuje en uso. Debe ser lo suficientemente grande como para que rodee el suspensor y se conecte en esa posición.
- Asegúrese de que el conector no esté diseñado / orientado de tal manera que se aplique un exceso de carga a la puerta del conector.
- Evite cualquier situación que pueda causar el conector se abra inesperadamente, incluido el despliegue.
- No use conectores inadecuados o mal use conectores ya que esto podría causar lesiones graves.

Ejemplo de cálculo de espacio de caída

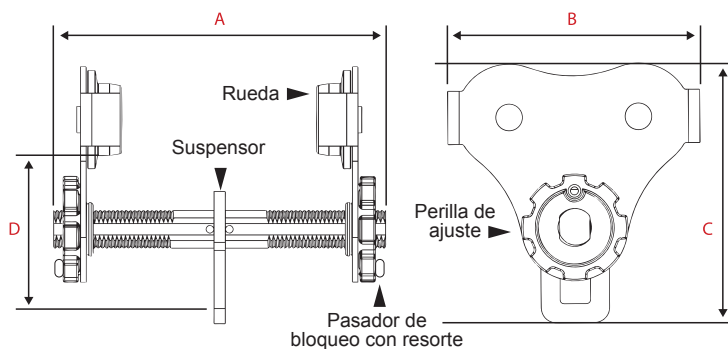


Uso de manejo de materiales

Cualquier uso del trole para fines de manejo de materiales debe tratarse de la misma manera que una protección de caídas. Después de cualquier tipo de uso de manejo de materiales, el trole debe retirarse del servicio y pasar una inspección por una persona calificada antes de devolverla al servicio como parte de un sistema personal de protección contra caídas.



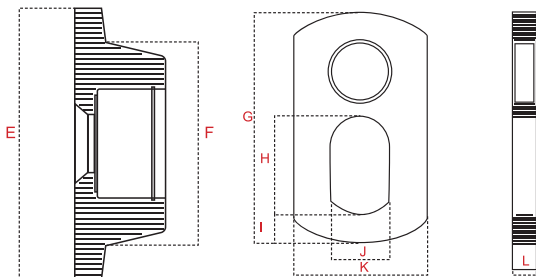
Components and Specifications



Especificaciones

	OZ05PBTA-MR	OZ1PBTA-MR
Carga de materiales	1,000 lbs.	2,000 lbs.
Protección contra caídas*	310 lbs.	310 lbs.
Ancho de brida ajustable	2.75"- 8.00"	2.75"- 8.00"
Curva de radio mínima	2.75 ft.	3.35 ft.
A	11"	11"
B	8.3"	10.2"
C	8.5"	9.8"
D	5"	5.5"
Peso Neto	16 lbs.	26 lbs.

*Usuario y herramientas combinados.

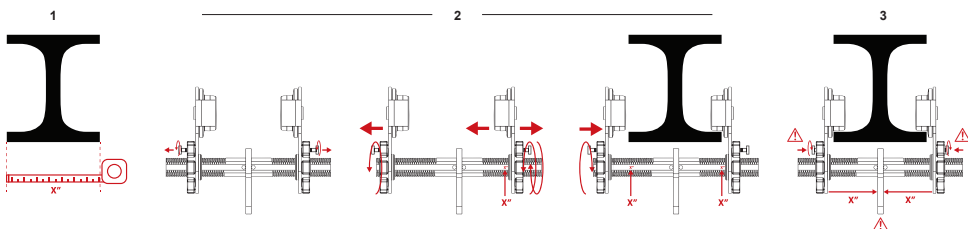


Dimensiones de rueda y suspensor

	OZ05PBTA-MR	OZ1PBTA-MR
E	3.25"	4.00"
F	2.38"	3.00"
G	4.38"	5.00"
H	1.50"	1.88"
I	0.63"	0.63"
J	1.00"	1.25"
K	2.25"	2.50"
L	0.38"	0.50"

Instalación

Chequee por daños ocurridos durante el envío antes de la instalación. No instale ni use un producto dañado. Asegúrese de mantener registros de toda la información del producto. Póngase en contacto con su distribuidor OZ Lifting Products LLC® si tiene algún problema o pregunta. Lea y cumpla con todas las instrucciones y advertencias suministradas o adjuntas al producto, según corresponda.



1. Antes de la instalación, mida el ancho de la brida de la viga.

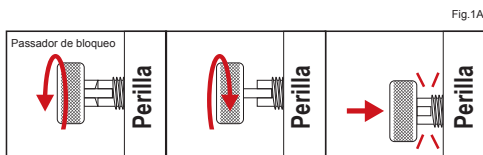
2. Ajuste un lado del trole a la medida de la brida (p. Ej., Si la viga mide 6 pulgadas, ajuste el trole a 6 pulgadas en la guía de la regla). Abra el lado opuesto del trole para encajar sobre la viga.

NOTA: Para ajustar el trole en su lugar en la viga, extraiga el pasador de bloqueo con resorte de cada lado y gírelo 90 grados. Esta posición permite que la perilla de ajuste gire libremente hasta lograr el ancho deseado. Para bloquear el trole en su lugar, gire el pasador de bloqueo 90 grados adicionales hasta que haga clic. Luego gire la perilla de ajuste en sentido antihorario hasta la posición de bloqueo más cercana.

3. Una vez instalado el trole, verifique que el suspensor esté centrado en la viga verificando que haya medidas iguales en ambos lados de la guía de la regla.

4. La extracción del trole es el reverso de la instalación.

ADVERTENCIA: Asegúrese de que los pasadores de bloqueo estén completamente extendidos y bloqueados en su lugar antes de la operación. Fig.1A



ADVERTENCIA: los operadores del trole de empuje deben leer y comprender completamente este manual y todas las advertencias en la abrazadera antes de su uso. Si este manual no se lee y se sigue por completo, pueden producirse lesiones. El uso adecuado de este trole de empuje es solo una parte de la operación segura de su sistema personal de protección de caídas. Asegúrese de que todos los componentes de su sistema personal de detención de caídas se estén utilizando correctamente y estén en buenas condiciones.

Todas las personas DEBEN: Capacitarse en el funcionamiento adecuado y en el manejo de posibles fallos de funcionamiento de los sistemas personales de protección de caídas. Abstenerse del uso de alcohol, medicamentos o drogas durante la operación. Evite la operación mientras está cansado o distraído. Evite la operación si tienen antecedentes de convulsiones u otros problemas médicos que pueden interferir con la operación.

NOTE: Antes de la operación, asegúrese de que el **trole de empuje** esté en buenas condiciones de funcionamiento y que los registros de mantenimiento estén actualizados. Consulte el manual de su dispositivo de protección contra caídas específico para una operación adecuada.

Mantenimiento, limpieza y almacenaje

Asegúrese de que el área de trabajo esté libre de escombros, podredumbre, óxido, descomposición, grietas y materiales peligrosos. Se requiere un área de trabajo estable para su uso.

La suciedad, los corrosivos y los contaminantes deben limpiarse con agua según sea necesario. Se puede usar jabón suave si es necesario, aunque es obligatorio enjuagar y secar completamente. Lubrique ligeramente todas las piezas móviles después de la limpieza. Nunca limpie el **trole de empuje** con sustancias corrosivas.

Siempre guarde su **trole de empuje** donde no esté expuesta al calor, luz, humedad excesiva, productos químicos u otros elementos.

Inspección

Para mantener la operación de calidad del producto, cada operador debe seguir un cronograma de inspección regular. Todas las inspecciones deben informarse y mantenerse en un registro de registro fechado al final de este manual. Notará que la primera entrada se realizó cuando la abrazadera pasó una inspección antes de abandonar la sede de OZ Lifting Products. Estos registros deben estar disponibles para todo el personal involucrado con el producto y deben estar disponibles para OZ Lifting Products LLC® cuando se trate de un problema de garantía.

Los operadores deben inspeccionar los **troles** antes de cada uso. Cada abrazadera debe pasar una inspección por una persona calificada cada seis meses para permanecer en servicio. Inspeccione por desgaste, daños, cortes, grietas, corrosión, daños por impacto, hoyos, rebabas, superficies rugosas, bordes afilados, óxido, acumulación de pintura, calentamiento excesivo, alteración y etiquetas faltantes o ilegibles. Durante cualquier inspección, compruebe también que la abrazadera funciona suavemente y que las roscas del husillo estén en buenas condiciones. Asegúrese de que la contratuerca esté presente en la varilla roscada del husillo. Si se observa algún problema, el **trole de empuje** debe dejarse fuera de servicio hasta que pueda repararse. Use solo OZ Lifting Products LLC® para piezas de repuesto. El **trole de empuje** debe llevarse anualmente a un centro de reparación autorizado para su inspección profesional.

Clasificaciones de trabajadores

Persona designada: la persona que es seleccionada o asignada como competente para realizar tareas específicas.

Persona calificada: la persona que, mediante la posesión de un título o certificado reconocido de prestigio profesional, o mediante amplios conocimientos, capacitación y experiencia, ha demostrado con éxito que puede resolver problemas relacionados con el tema y el trabajo.

Advertencias de seguridad

Trole de empuje (uso personal de protección contra caídas)

No utilice ningún trole que no haya pasado la inspección de una persona calificada en los últimos seis meses.

No altere ni use mal el equipo.

No lo use de manera no conforme.

No opere en un lugar de trabajo que no haya sido evaluado para su uso adecuado.

No compre sistemas personales de detención de caídas usados.

No utilice arneses y conectores no conformes.

No opere sin un procedimiento de rescate en su lugar.

No lo use para colgar, levantar, sostener o levantar herramientas o equipos.

No utilice sin registros de inspección adecuada.

No utilice trole como punto de anclaje para más de un sistema personal de detención de caídas.

Trole de empuje (uso de manejo de materiales)

No levante más del rango de carga designado.

No levante personas ni levante cargas sobre las personas.

No opere un producto dañado o que funcione mal.

No quite, desfigura ni cubra las etiquetas de advertencia.

No opere hasta que el personal esté advertido y despejado del área.

No lo use si la carga no está suspendida verticalmente.

No use el trole como tierra de soldadura.

No suelde sobre la carga levantada.

No abra el trole cuando esté sosteniendo una carga.

No utilice el trole en ambientes corrosivos.

No use conexiones entre el trole y la carga.

No permita que la carga se balancee.



ADVERTENCIA: No leer y cumplir con estas advertencias de seguridad puede provocar una situación peligrosa que podría provocar la muerte, lesiones graves o daños a la propiedad.



FALL PROTECTION

P.O. Box 845, Winona, MN 55987

Phone (800) 749-1064

(507) 474-6250

Tech Support (507) 457-3346

Fax (507) 452-5217

sales@ozliftingproducts.com

www.ozliftingproducts.com