

STAINLESS STEEL CHAIN HOIST

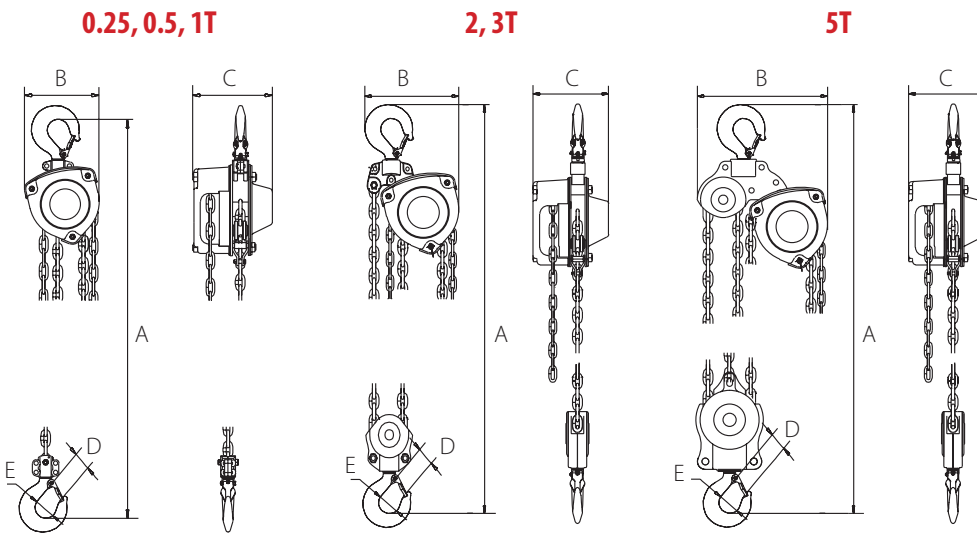


Features

- Stainless Steel Type 304 Construction for Corrosion Resistance
- Fully Enclosed Gearing
- Fully Machined Lift Wheel
- Designed for Lifting or Pulling
- Minimal Load Lifting Effort
- Individual Test Certificate and Serial Number
- Forged Stainless Steel Hooks and Safety Latches
- Stainless Steel Hand & Load Chain
- Weather Proof Load Holding Brake
- All Gears and Shafts Run on Roller Bearings
- Stainless Steel Riveted ID Tags
- Low Headroom
- Food grade gearbox lubrication

FREE SPARE SET OF LATCHES

Standards - CE, ASME/ANSI B30.21, ASME/ANSI B30.16, AS1418.2



	OZSS0025-XXCH	OZSS005-XXCH	OZSS010-XXCH	OZSS020-XXCH	OZSS030-XXCH	OZSS050-XXCH	
Capacity (tons)	0.25	0.5	1	2	3	5	
Falls of Chain	1	1	1	2	2	3	
Effort to Lift S.W.L. (lbs)	45	67	67	74	74	74	
Loadchain Diameter (mm)	4x12	7x21	7x21	7x21	9x27	9x27	
Dimensional Information (in)	A	9.84	14.8	14.8	16.73	27.95	
	B	4.29	6.77	6.77	7.56	14.37	
	C	4.13	5.94	5.94	5.94	6.81	7.44
Hook-opening, upper & lower	D	1.06	1.02	1.02	1.33	1.53	1.61
	E	1.26	1.57	1.57	1.96	2.16	2.55
Net Weight of Head Only (lbs)	8.82	16.3	16.3	22.9	34.7	66.1	

Standard Lift: 10, 15, 20, 30 ft. We also do custom rigging

Dimensions and illustrations are for reference only and subject to change without notice. XX in hoist model number indicates length of lift by foot.



OZSS030-5CH

