

LIFTING PRODUCTS



 **PREMIUM**

 **INDUSTRIAL**

 **DYNO-HOIST**

 **ELECTRIC
SERIES**

 **COMPOZITE-ELITE**

 **CLAMPS & TROLLEYS**

 **FALL PROTECTION**

 **TELE-PRO**

 **XR SERIES**

 **STEEL DAVIT**

 **COMPOZITE**

 **ALUMI-LITE**

 **WHEEL BASE**

 **SPARK RESISTANT
SERIES**

 **STAINLESS
SERIES**



OZ Lifting Products®, LLC is headquartered and warehoused in Winona, Minnesota. We have a long standing dedication to excellent customer service and support. We are committed to designing and manufacturing high quality and long lasting lifting products and solutions. Our lifting equipment has been successfully handling material globally for years. We serve many industries including oil, gas, automotive, aviation, construction and mining. Our products have provided safe lifting solutions in demanding applications for over 19 years.

MEMBERSHIPS

- AWRF** Associated Wire Rope Fabricators
- MHI** Material Handling Institute
- NFIB** National Federation of Independent Business
- NSC** National Safety Council
- WEF** Water Environment Federation
- WSTDA** Web Sling and Tie Down Association
- WACC** Winona Area Chamber of Commerce

CONFORMITY & SAFETY STANDARDS

- ANSI** American National Standards Institute
- AS** Standards Australia
- ASME** American Society of Mechanical Engineers
- CE** Conformité Européenne
- OSHA** Occupational Safety and Health Administration

PRODUCT INDEX

■ Premium Lever HoistPg. 4	■ Electric Builder's Hoist.Pg. 23
■ Premium Chain HoistPg. 6	■ Electric Builder's Hoist Accessories. .Pg. 24
■ Industrial Lever HoistPg. 8	■ Wireless AdaptersPg. 25
■ Industrial Chain HoistPg. 9	■ Manual WinchesPg. 27
■ Stainless Lever Hoist.Pg. 10	■ Electric WinchesPg. 28
■ Stainless Chain HoistPg. 11	■ Alumi-Lite® Davit Crane.Pg. 29
■ Stainless Beam Clamp & Trolley. . .Pg. 12	■ XR Series Davit CranePg. 31
■ Spark Resistant Chain HoistPg. 13	■ Tele-Pro® Davit CranePg. 32
■ Spark Resistant Beam Trolley.Pg. 14	■ CompOZite® Davit Crane.Pg. 35
■ Dyno-HoistPg. 15	■ Steel Davit CranePg. 37
■ Fall Protection USA Clamp & Trolley Pg. 16	■ CompOZite Elite® Davit Crane. . . .Pg. 39
■ USA Beam Clamp & Trolley.Pg. 17	■ Wheel BasePg. 40
■ Beam Clamp & TrolleysPg. 18	■ Davit Application Sheet.Pg. 41
■ Quick Adjust TrolleyPg. 19	■ Wire/Synthetic Rope Assemblies . .Pg. 42
■ Geared Beam Trolley.Pg. 20	■ Davit Accessories.Pg. 43
■ Electric Chain HoistPg. 21	



WHY OZ LIFTING PRODUCTS®?



Service

From the first phone call to service after the sale, we carefully manage all aspects of your order. Our standard product can be quoted immediately allowing us to get you the product you need, when you need it. Customer satisfaction is our number one priority. Our team is committed to providing you the service you deserve.



No Order Minimums

No required minimum quantity orders.



Quick Ship

Our quick ship program contains our most common items, many of which are used in the building and construction industries where quick turnaround solutions are required. In-stock items ship in 2-3 business days with same day shipping available by request and with an additional fee.



Made in the USA

We offer a full range of new and innovative lifting products designed and manufactured in the United States.



Tested in the USA

At OZ Lifting Products®, our customers expect products that have endured advanced testing and rigorous inspection to ensure many years of operation. Our quality control and testing is unmatched. Our products meet and exceed expectations in regards to safety, performance, durability and customer satisfaction. Our products adhere to the ASME, ANSI, AS, OSHA and CE standards keeping you and your equipment safe.



Test Certificate

A test certificate is included with each product and ensures the product has been load tested. An individual serial number provides complete traceability throughout the manufacturing process.



Overload Protected

Our overload protection is standard on all of our premium hoists and select electric series models. The overload protection is integral to the product and prevents the operator from overloading the hoist. The overload resets itself and the hoist can go right back into service. Every product featuring overload is tested at our facility in Minnesota by certified OZ technicians to guarantee product performance.



Custom Length of Lift

We offer custom lengths of lifts on all of our products. Standard or custom length, we have a solution.



Parts

Replacement parts are available for most OZ products. Please use our parts request form at www.ozliftingproducts.com/parts.



Patented



Trademark



Warranty

LEVER HOIST



Features

Standard Overload Protection – Overload Protection prevents the operator from exceeding the limitations of the hoist and is set at a minimum of 40% over the rated load.

Free Wheel Feature – When not under load, the operator can disengage the gearing by positioning the selection switch to the center position. This allows for a quick adjustment of chain for faster operation.

Lifting or Pulling – Can be used for lifting or pulling which makes it a more versatile tool.

Minimal Load Lifting Effort – Double reduction gearing provides easy operation with minimal lifting effort.

360-Degree Handle Rotation – Allows the operator to work in confined spaces.

All-Steel Construction – Featuring a long lasting powder coat finish, the all-steel construction ensures durable protection while providing a long and dependable service life in harsh environments.

Weston-Style Brake System – An enclosed and protected Weston-Style load brake stays clean and dry during the entire load operation. Also equipped with a unique twin pawl design for additional reliability.

Enclosed Gearing – Gears are protected from contamination and debris.

Fully-Enclosed Lift Wheel – Maintains smooth operation while distributing the load over more links of chain. It also helps keep debris from contaminating the lift wheel and self-cleans the chain as it enters the wheel.

Sealed Roller Bearing – This feature provides smooth, controlled operation of the gears and shafts. This ensures maintenance-free lubrication.

Steel Handle with Rubber Grip – Provides a non-slip, sure-grip surface.

Forged Hooks – Forged alloy steel hooks swivel 360° for easier attachment and positioning.

Cast steel safety latches – Heavy-duty, cast-steel safety latch has a bolt-and-lock nut connection. This feature simplifies changing latches in the field.

Zinc-Plated Chain – Provides a durable non-oily finish.

Stainless Steel Riveted ID Tags – Made from stainless steel the ID tag is corrosion resistant.

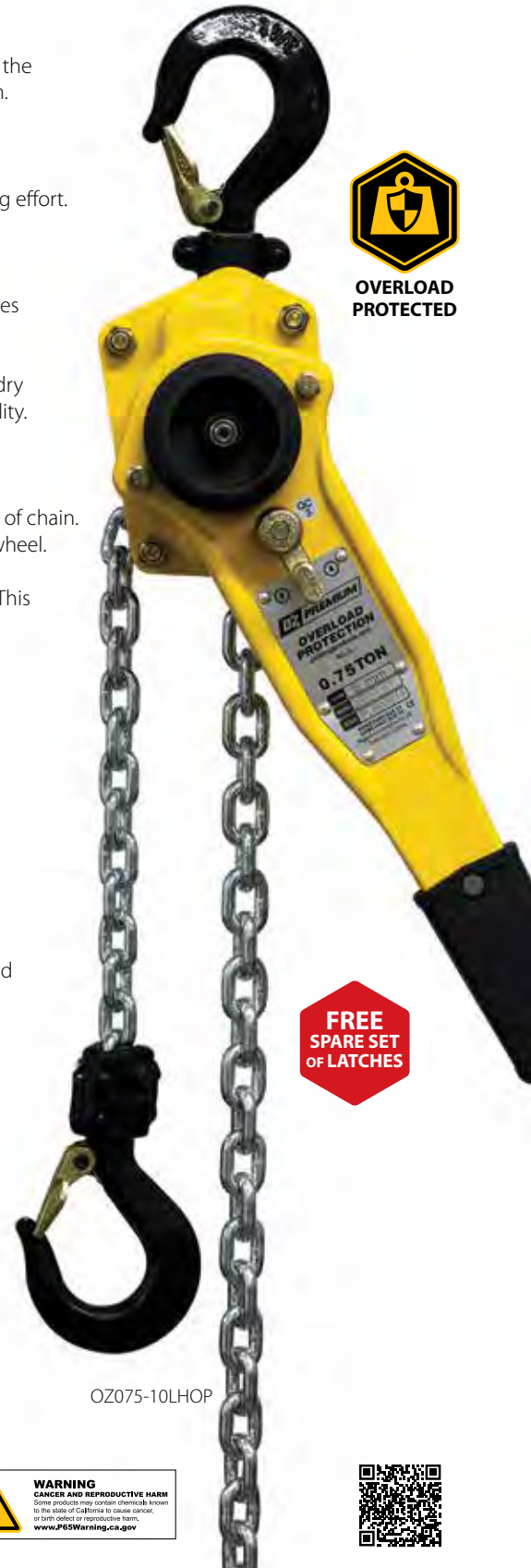
Maintenance – Hoists can be quickly disassembled for fast and easy maintenance. See the videos and maintenance breakdown animations at OZLiftingProducts.com.

Standard Lift Lengths – 5,10,15, and 20 ft. Custom lengths available upon request.

Safety Hooks & Shipyard Hooks – Available for 1.5 and 3 Ton Lever Hoists.

Individual test certificates & serial numbers.

Standards – CE, ASME/ANSI B30.21, AS1418.2



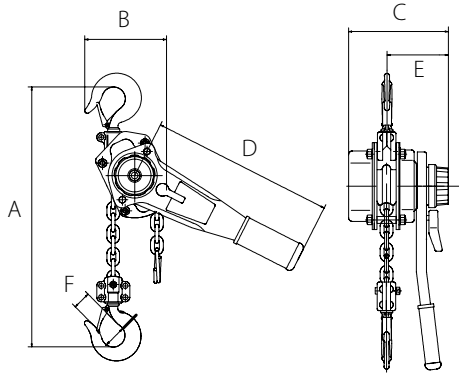
OVERLOAD PROTECTED



WARNING
CANCER AND REPRODUCTIVE HARM
Some products may contain chemicals known to the state of California to cause cancer, or birth defect or reproductive harm.
www.P65Warning.ca.gov

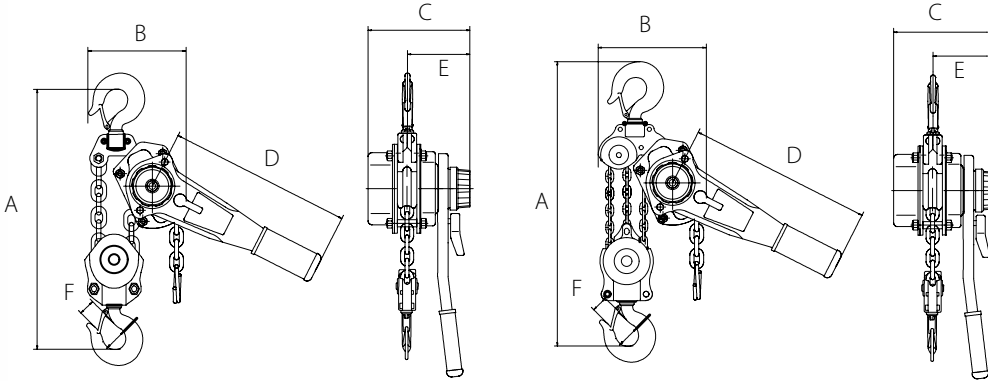


.75, 1.5, 3T



6T

9T



OZ600-15LHOP

		OZ075-XXLHOP	OZ150-XXLHOP	OZ300-XXLHOP	OZ600-XXLHOP	OZ900-XXLHOP
Capacity (tons)		0.75	1.5	3	6	9
Headroom (in)		12.79	14.96	18.90	24.41	27.56
Effort on lever to lift full load (lbs)		30.86	48.50	70.55	74.96	79.37
Falls of Chain		1	1	1	2	3
Diameter of Load Chain (mm)		6x18	8x24	10x30	10x30	10x30
Length of Lever Handle (in)		11.02	16.14	16.14	16.14	16.14
Dimensional Information (in)	A	12.79	14.96	18.89	24.40	27.55
	B	5.35	6.29	7.08	9.25	12.44
	C	5.82	6.77	7.87	7.87	7.87
	D	12.2	16.14	16.14	16.14	16.14
	E	3.54	3.85	4.52	4.52	4.52
Hook-opening, Upper & Lower (in)	F	1.18	1.26	1.50	1.89	2.13
Net Weight of Head Only (lbs)		13	22	33	51	81

Standard Lift Lengths: 5, 10, 15, and 20 ft. We also do custom rigging

Dimensions & illustrations are for reference only and subject to change without notice. XX in hoist model number indicates length of lift by foot.



CHAIN HOIST



Features

Standard Overload Protection – Overload Protection prevents the operator from exceeding the limitations of the hoist and is set at a minimum of 40% over the rated load.

Lifting or Pulling – Can be used for lifting or pulling which makes it a more versatile tool.

Minimal Load Lifting Effort – Double reduction gearing provides easy operation with minimal lifting effort.

Unique Hand Wheel Design – This feature enables the hand chain to successfully feed directly into the wheel sprocket from many directions and angles. Thus, the operator can use the hoist while standing to the side of, or even above the load without fear of the hand chain jamming.

All-Steel Construction – Featuring a long lasting powder coat finish, the all-steel construction ensures durable protection while providing a long and dependable service life in harsh environments.

Weston-Style Brake System – An enclosed and protected Weston-Style load brake stays clean and dry during the entire load operation. Also equipped with a unique twin pawl design for additional reliability.

Enclosed Gearing – Gears are protected from contamination and debris.

Sealed Roller Bearing – This feature provides smooth, controlled operation of the gears and shafts. This ensures maintenance-free lubrication.

Forged Hooks – Forged alloy steel hooks swivel 360° for easier attachment and positioning.

Thrust Bearing on Lower Hook – Allows easy rotation of load while suspended and prevents load chain twisting.

Cast steel safety latches – Heavy-duty, cast-steel safety latch has a bolt-and-lock nut connection. This feature simplifies changing latches in the field.

100% load tested Zinc-Plated Chain – Provides a durable non-oily finish.

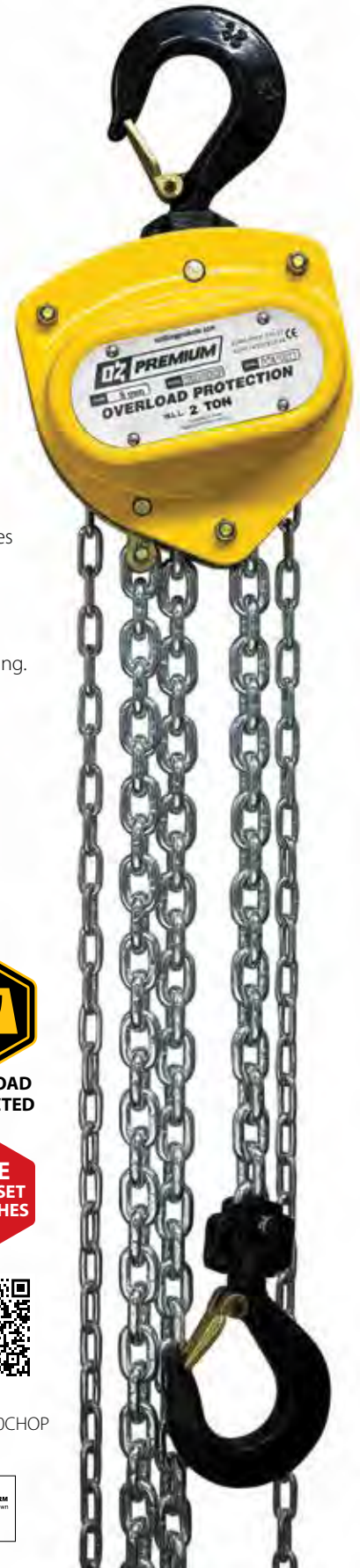
Stainless Steel Riveted ID Tags – Made from stainless steel the ID tag is corrosion resistant.

Maintenance – Hoists can be quickly disassembled for fast and easy maintenance. See the videos and maintenance breakdown animations at OZLiftingProducts.com.

Standard Lift Lengths – 5,10,15, and 20 ft. Custom lengths available upon request.

Individual test certificates & serial numbers.

Standards – CE, ASME/ANSI B30.16, AS1418.2



OVERLOAD PROTECTED

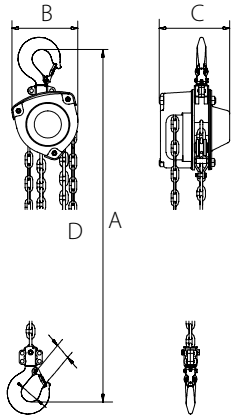


OZ020-10CHOP

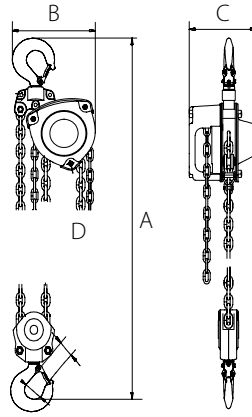


WARNING
CANCER AND REPRODUCTIVE HARM
Some products may contain chemicals known to the state of California to cause cancer, or birth defect or reproductive harm.
www.P65Warning.ca.gov

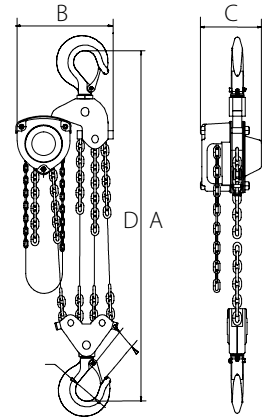
.5,1,1.5,2T



3,5T

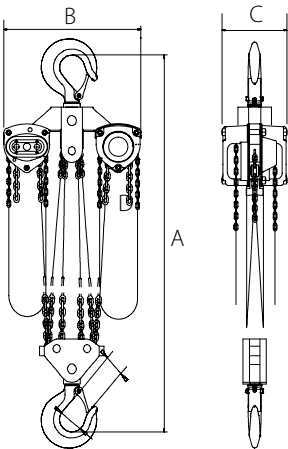


10T



	OZ005-XXCHOP	OZ010-XXCHOP	OZ015-XXCHOP	OZ020-XXCHOP	OZ030-XXCHOP	OZ050-XXCHOP	OZ100-XXCHOP
Capacity (tons)	.5	1	1.5	2	3	5	10
Falls of Chain	1	1	1	1	2	2	4
Effort to Lift S.W.L (lbs)	53	55	58	74	58	79	84
Loadchain Diameter (mm)	6x18	6x18	8x24	8x24	8x24	10x30	10x30
Dimensional Information (in)	A	13.58	14.80	17.40	18.50	27.09	30.12
	B	5.83	6.77	7.72	8.28	8.90	18.23
	C	5.20	5.94	6.81	6.89	6.81	7.44
Hook-opening, Upper & Lower (in)	D	1.10	1.26	1.42	1.42	1.81	2.24
Net Weight of Head Only (lbs)	21	24	31	36	41	64	114

20, 30 T



	OZ200-XXCHOP	OZ300-XXCHOP
Capacity (tons)	20	30
Falls of Chain	8	12
Effort to Lift S.W.L (lbs)	84 x2	90 x2
Load Chain Diameter (mm)	10	10
Dimensions (in)	A	35.04
	B	24.80
	C	7.44
Hook-opening, Upper & Lower (in)	D	2.23
Net Weight of Head Only (lbs)	315	360

OZ200-10CHOP



Standard Lift: 10 and 20 ft. We also do custom rigging

50, 60 and 100 Ton models available by special order only. Please contact for specifications.
 37' Max length on 20T, 26' Max length on 30T
 Dimensions & illustrations are for reference only and subject to change without notice.
 XX in hoist model number indicates length of lift by foot.



Dimensions & illustrations are for reference only and subject to change without notice.

LEVER HOIST



Features

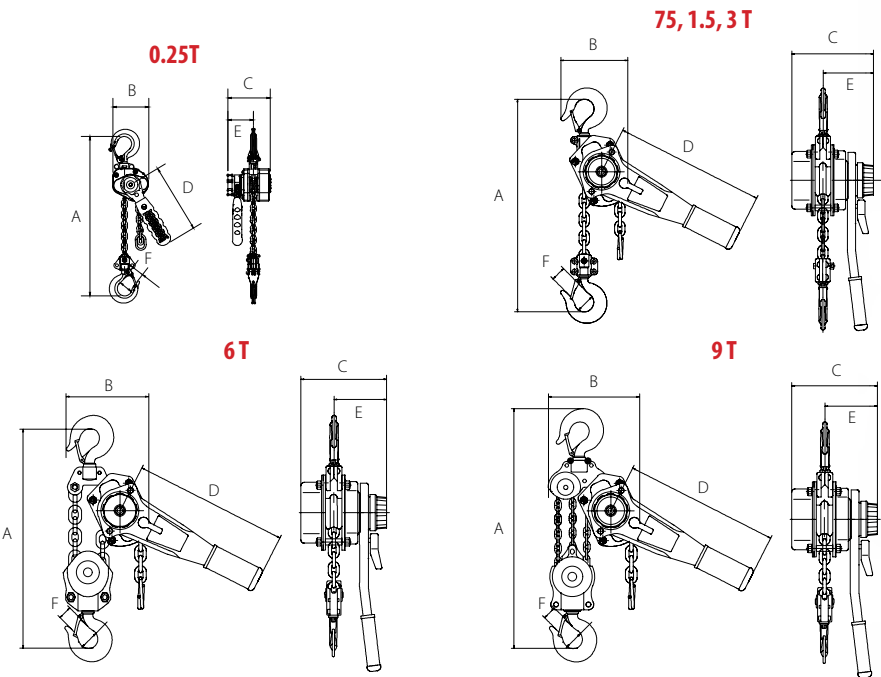
- All-steel construction
- Aluminum construction (¼ Ton Model)
- Long lasting powder coat finish
- Steel handle with rubber grip
- Minimal load lifting effort
- Weston-Style brake system with twin pawl design
- Zinc plated load chain
- Fully-enclosed gearing
- Load sheave bearings
- Forged alloy steel hooks
- Heavy-duty latches
- Carrying bag (¼ Ton Model)
- Individual test certificates & serial numbers



Excludes
¼ Ton Model

OZIND075-10LH

Standards - CE, ASME/ANSI B30.21, AS1418.2



OZIND025-5LH



	OZIND025-XXLH	OZIND075-XXLH	OZIND150-XXLH	OZIND300-XXLH	OZIND600-XXLH	OZIND900-XXLH
Capacity (tons)	0.25	0.75	1.5	3	6	9
Effort to Lift S.W.L. (lbs)	44	31.4	49.5	72	76.5	81
Falls of Chain	1	1	1	1	2	3
Load Chain Diameter (mm)	4x12	6x18	8x24	10x30	10x30	10x30
Product Dimensions (in)	A	9.45	13.38	16.14	20.07	24.41
	B	3.62	5.31	5.91	8.27	9.53
	C	3.86	5.71	6.89	7.68	7.68
	D	6.3	12.2	16.14	16.14	16.14
	E	2.36	3.39	3.94	4.53	4.53
Hook-opening, Upper & Lower	F	0.83	1.18	1.26	1.50	1.89
Net Weight (lbs)	4	12	20	36	55	89

Standard Lift: 5, 10, 15 and 20 ft.

.25 T Models Standard Lift: 5 and 10 ft. We also do custom rigging

Dimensions and illustrations are for reference only and subject to change without notice.
XX in hoist model number indicates length of lift by foot.



CHAIN HOIST



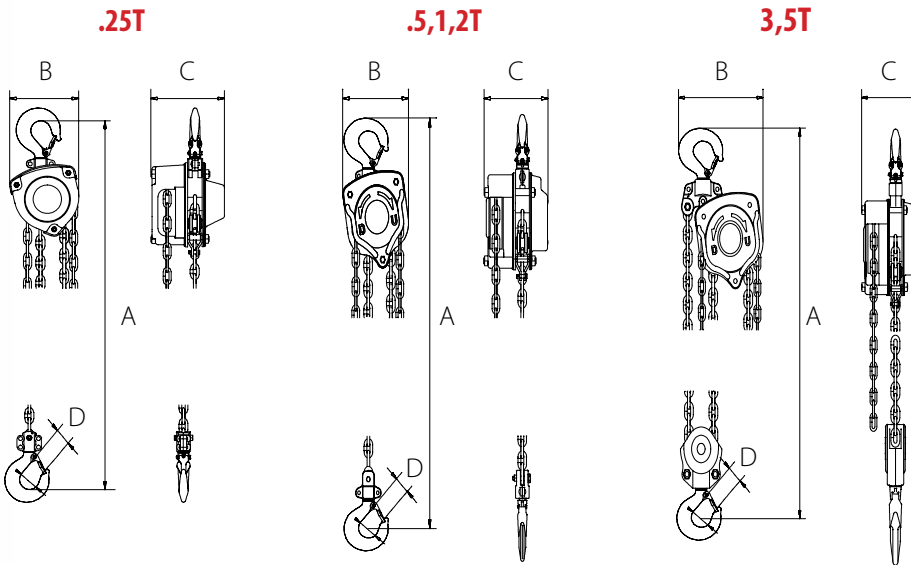
Features

- All-steel construction
- Long lasting powder coat finish
- Minimal load lifting effort
- Weston-Style brake system with twin pawl design
- Zinc plated load chain & hand chain
- Fully-enclosed gearing
- Load sheave bearings
- Forged alloy steel hooks
- Thrust bearing on lower hook
- Heavy-duty latches
- Individual test certificates & serial numbers

**FREE
SPARE SET
OF LATCHES**

Excludes
¼ Ton Model

Standards - CE, ASME/ANSI B30.16 and AS1418.2



	OZIND025-XXCH	OZIND005-XXCH	OZIND010-XXCH	OZIND020-XXCH	OZIND030-XXCH	OZIND050-XXCH	
Capacity (tons)	0.25	0.5	1	2	3	5	
Effort to Lift S.W.L (lbs)	55	55	66	88	88	88	
Falls of Chain	1	1	1	1	2	2	
Load Chain Diameter (mm)	4x12	5x15	6x18	8x24	8x24	10x30	
Product Dimensions (in)	A	10.2	12.8	14.6	17.5	26.8	
	B	4.18	5.35	5.75	7.32	10.2	
	C	4.02	5.2	5.98	6.14	6.1	7.4
Hook-opening, Upper & Lower	D	1.3	1.38	1.73	2	2.28	2.6
Net Weight (lbs)	4	10	16	19	30	56.2	

Standard Lift: 5, 10, 15 and 20 ft.

.25 T Models Standard Lift: 5 and 10 ft. We also do custom rigging

Dimensions and illustrations are for reference only and subject to change without notice. XX in hoist model number indicates length of lift by foot.



OZIND020-10CH



**WARNING
CANCER AND REPRODUCTIVE HARM**
Some products may contain chemicals known to the state of California to cause cancer, or birth defect or reproductive harm.
www.P65Warning.ca.gov



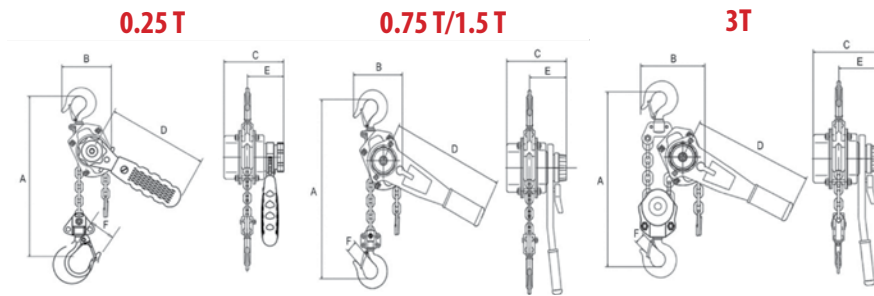
STAINLESS STEEL LEVER HOIST



Features

- Type 304 Stainless Steel Construction
- Food-Grade Grease That Meets Nsf-H1 Standards
- Free Wheel Feature Allows For Quick Adjustment
- Designed For Lifting or Pulling
- Minimal Load Lifting Effort
- 360-Degree Handle Rotation
- Weston-Style Brake System
- Twin Pawl Design
- Enclosed Gearing
- Sealed Roller Bearing
- Rubber Grip
- Forged Hooks
- Stainless Steel Riveted ID Tags
- Quick Disassembly for Fast & Easy Maintenance

Standards - CE, ASME/ANSI B30.21, ASME/ANSI B30.16, AS1418.2



	0ZSS025LH	0ZSS075LH	0ZSS150LH	0ZSS300LH
Capacity - tons	0.25	0.75	1.5	3.0
Headroom - in (mm)	11.22 (284.99)	14.96 (379.98)	16.73 (424.94)	19.76 (501.90)
Effort on Lever to Lift Full Load - lb (kg)	20.20 (9.18)	28.10 (12.77)	41.50 (18.86)	42.70 (19.41)
Falls of Chain	1	1	1	2
Load Chain Diameter - in (mm)	0.16 (4.00)	0.24 (6.00)	0.31 (8.00)	0.31 (8.00)
Dimensional Information - in (mm)				
A	11.22 (284.99)	14.96 (379.98)	16.73 (424.94)	19.76 (501.90)
B	3.86 (98.04)	5.83 (148.08)	5.91 (150.11)	7.68 (195.07)
C	13.94 (100.08)	5.67 (146.30)	6.61 (167.89)	6.61 (167.89)
D	6.10 (154.94)	11.42 (290.07)	16.34 (415.04)	16.34 (415.04)
E	2.40 (60.96)	3.43 (87.12)	3.74 (95.00)	3.74 (95.00)
Hook-opening, upper & lower - in (mm)	F			
	0.92 (23.37)	1.21 (30.73)	1.38 (35.05)	1.52 (38.61)
Net Weight of Head Only - lb (kg)	4.84 (2.20)	12.54 (5.70)	20.35 (9.25)	28.71 (13.05)

Standard Lift: 10, 15, 20, 30 ft. We also do custom rigging

Dimensions and illustrations are for reference only and subject to change without notice. XX in hoist model number indicates length of lift by foot.



OZSS075LH



WARNING
CANCER AND REPRODUCTIVE HARM
 Some products may contain chemicals known to the state of California to cause cancer, or birth defect or reproductive harm.
www.P66Warning.ca.gov



STAINLESS STEEL CHAIN HOIST

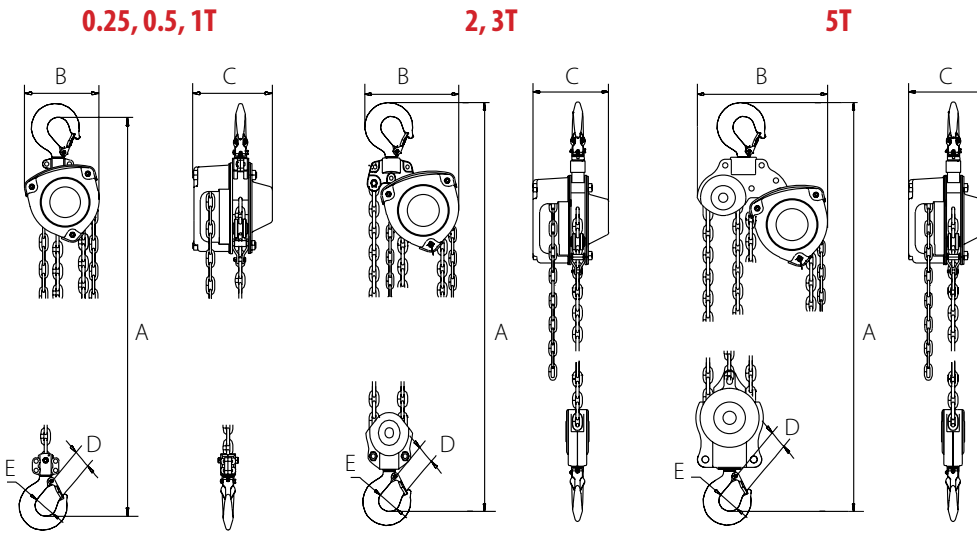


Features

- Stainless Steel Type 304 Construction for Corrosion Resistance
- Fully Enclosed Gearing
- Fully Machined Lift Wheel
- Designed for Lifting or Pulling
- Minimal Load Lifting Effort
- Individual Test Certificate and Serial Number
- Forged Stainless Steel Hooks and Safety Latches
- Stainless Steel Hand & Load Chain
- Weather Proof Load Holding Brake
- All Gears and Shafts Run on Roller Bearings
- Stainless Steel Riveted ID Tags
- Low Headroom
- Food grade gearbox lubrication

FREE SPARE SET OF LATCHES

Standards - CE, ASME/ANSI B30.21, ASME/ANSI B30.16, AS1418.2



	OZSS0025-XXCH	OZSS005-XXCH	OZSS010-XXCH	OZSS020-XXCH	OZSS030-XXCH	OZSS050-XXCH
Capacity (tons)	0.25	0.5	1	2	3	5
Falls of Chain	1	1	1	2	2	3
Effort to Lift S.W.L (lbs)	45	67	67	74	74	74
Loadchain Diameter (mm)	4x12	7x21	7x21	7x21	9x27	9x27
Dimensional Information (in)	A	9.84	14.8	14.8	16.73	22.24
	B	4.29	6.77	6.77	7.56	9.06
	C	4.13	5.94	5.94	5.94	6.81
Hook-opening, upper & lower	D	1.06	1.02	1.02	1.33	1.53
	E	1.26	1.57	1.57	1.96	2.16
Net Weight of Head Only (lbs)	8.82	16.3	16.3	22.9	34.7	66.1

Standard Lift: 10, 15, 20, 30 ft. We also do custom rigging

Dimensions and illustrations are for reference only and subject to change without notice. XX in hoist model number indicates length of lift by foot.



OZSS030-5CH



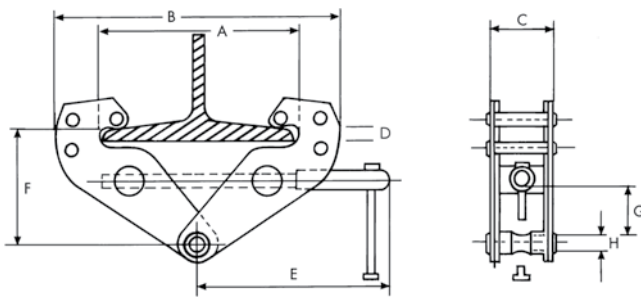
STAINLESS STEEL BEAM CLAMP



Features

- Stainless Steel Type 304 Construction for Corrosion Resistance
- Super-Quick Adjustment to most I-Beams
- Stainless Steel I.D. Tag
- Individual Test Certificate and Serial Number

Standards - CE, ASME/ANSI B30.16, AS4991 (For use with manual or powered hoists)



	OZSS1BC	OZSS2BC	OZSS3BC	OZSS5BC
Capacity (tons)	1	2	3	5
A	2.95-9.05	2.95-9.05	3.15-12.6	3.15-12.6
B	12.2 max.	12.2 max.	17.7 max.	17.9 max.
C	2.6	3	4	4.4
D	.94	.94	1.48	1.48
E	7.68	7.68	10.24	10.24
F	5.12-6.57	5.12-6.57	6.89-8.78	6.89-8.78
G	1.57	1.57	2.48	2.48
H	.78	.9	1.1	1.38
Net Weight (lbs)	9	11	22	26

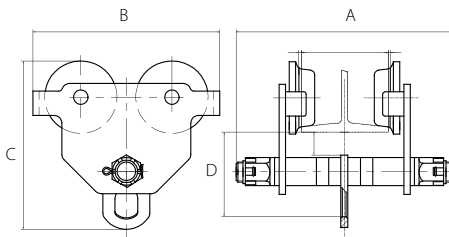
STAINLESS STEEL PUSH BEAM TROLLEY



Features

- Stainless Steel Type 304 Construction for Corrosion Resistance
- Fits to most I, S, and W-Beams
- Individual Test Certificate and Serial Number
- Anti-Drop Plate
- Stainless Steel ID Tag
- Precision Ball Bearing Trolley Wheels with food grade lubricant

Standards - CE, ASME/ANSI B30.17, ASME/ANSI B30.16, AS1418.2 (For use with manual or powered hoists)



	OZSS025PBT	OZSS05PBT	OZSS1PBT	OZSS2PBT	OZSS3PBT	OZSS5PBT
Capacity (tons)	0.25	0.5	1	2	3	5
Adjustable flange width (in)	2-6	2.5-8	2.5-8	3.5-8	4-8	4-8
Max flange thickness (in)	.82	.97	.97	1.11	1.34	1.57
A	10	12.21	12.8	13.39	14.57	16.74
B	7.7	8.39	9.57	10.75	12.72	15.56
C	6.8	7.8	8.82	10.56	12.96	15.08
D	4	4.61	5.08	6.34	7.76	9.1
Minimum radius curve (ft)	3.28	3.28	3.28	4.26	4.26	5.24
Net weight (lbs)	7.7	13.9	22.7	39.7	81.6	114.6

Stainless Steel Geared Beam Trolleys .5 Ton – 5 Ton available. Special order.



SPARK RESISTANT CHAIN HOIST



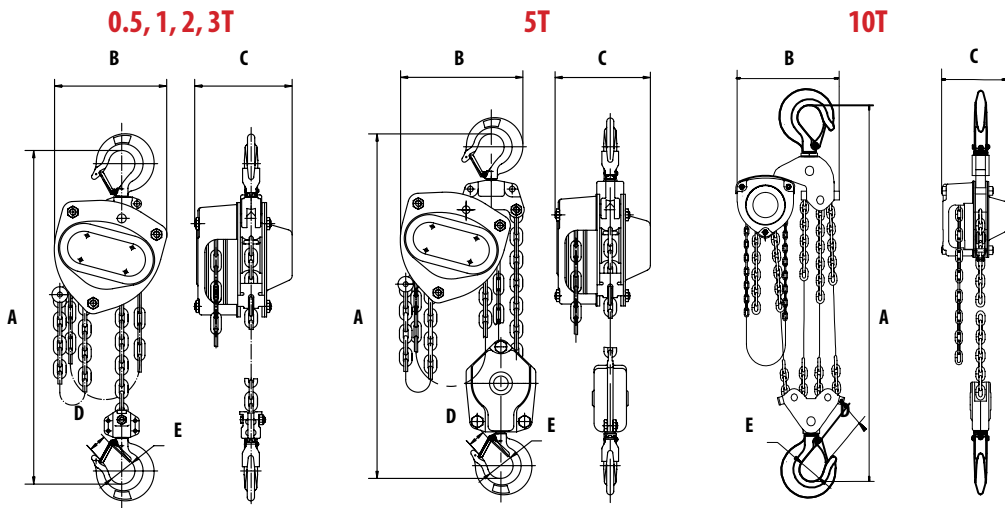
Features

Potentially explosive atmospheres exist in many areas of industry. Explosive zones carry extremely strict guidelines and equipment requirements. OZ Lifting Products' Spark Resistant Chain Hoists are manufactured in compliance with the EU's explosion-proof standard ATEX94/9/EC and the Machinery Directive 2006/42/EC. The explosion-proof level can reach: EX II2 GD c IIIC T135 °C. They are suitable for potentially explosive atmospheres including Zone 1 & 2 (gas) as well as Zone 21 & 22 (dust).

- Type EX-F3 Spark Resistant
- Unique Hand Wheel Design
- Minimal Load Lifting Effort
- Fully Enclosed Gearing
- Stainless Steel Safety Latches
- Stainless Steel Hand Chain
- Copper Plated Hooks Hand Wheel, and Roller Guides
- Individual Test Certificate and Serial Number
- Dacromet® Finish Load Chain
- Fully Machined Lift Wheel
- Totally Enclosed Gearing
- For Lifting or Pulling
- Low Headroom
- Weatherproof Load Holding Brake
- All Gears and Shafts on Roller Bearings
- Copper Riveted ID Tags

FREE SPARE SET OF LATCHES

Standards - CE, EX-F3 (Ex II 2 GD c IIC T4 IIIC T135°C), ASME/ANSI B30.16, AS1418.2



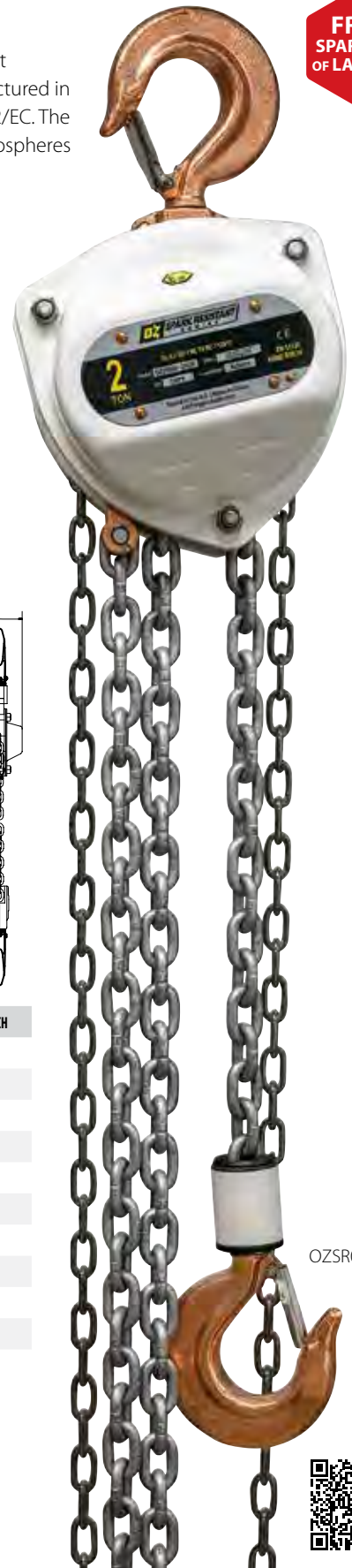
	OZSR005-XXCH	OZSR010-XXCH	OZSR020-XXCH	OZSR030-XXCH	OZSR050-XXCH	OZSR100-XXCH
Capacity (tons)	0.5	1	2	3	5	10
Falls of Chain	1	1	1	1	2	4
Effort to Lift S.W.L (lbs)	54	56	75	83	85	87
Loadchain Diameter (mm)	5x15	6x18	8x24	10x30	10x30	10x30
Dimensional Information (in)	A	13.58	14.80	18.50	22.83	30.71
	B	5.82	6.77	8.26	10.03	15.16
	C	5.19	5.94	6.88	8.07	7.44
Hook-opening, upper & lower	D	0.90	1.02	1.33	1.53	1.93
	E	1.37	1.57	1.96	2.16	2.55
Net Weight of Head Only (lbs)	13	18	31	51	60	114

Standard Lift: 10, 15, 20, 30 ft. We also do custom rigging

Dimensions and illustrations are for reference only and subject to change without notice. XX in hoist model number indicates length of lift by foot.



WARNING
CANCER AND REPRODUCTIVE HARM
 Some products may contain chemicals known to the state of California to cause cancer, or birth defect or reproductive harm.
www.P65Warning.ca.gov



OZSR020-20CH

SPARK RESISTANT PUSH BEAM TROLLEY



Features

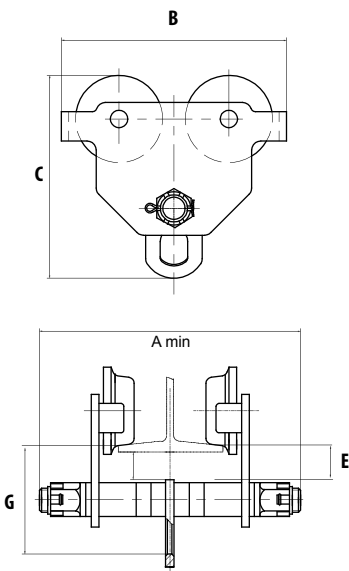
Potentially explosive atmospheres exist in many areas of industry. Explosive zones carry extremely strict guidelines and equipment requirements. OZ Lifting Products' Spark Resistant Push Beam Trolleys are manufactured in compliance with the EU's explosion-proof standard ATEX94/9/EC and the Machinery Directive 2006/42/EC. The explosion-proof level can reach: EX II 2 GD c IIC T135 °C. They are suitable for potentially explosive atmospheres including Zone 1 & 2 (gas) as well as Zone 21 & 22 (dust).

- Type EX-GCT Spark Resistant Equipped with anti-spark coating, suitable for potential explosive atmospheres.
- Copper plated wheels and lifting ring
- Copper riveted ID Tags
- Fits to most I, S, and W-Beams
- Precision ball bearing trolley wheels
- Anti-drop plate
- Individual test certificate & serial number

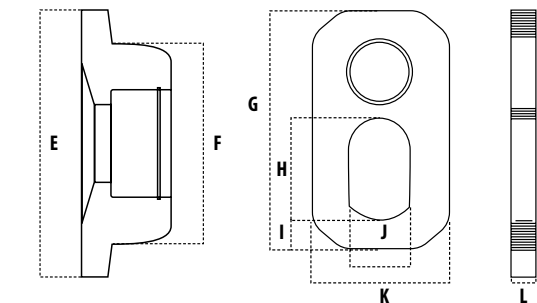


OZSR2PBT

Standards - CE, ATEX-GCT, (Ex II 2 GD c IIC T4 IIC T135°C), ASME/ANSI B30.11, ASME/ANSI B30.17, AS1418.2 (For use with manual or powered hoists)



	OZSR05PBT	OZSR1PBT	OZSR2PBT	OZSR3PBT	OZSR5PBT	OZSR10PBT
Capacity (tons)	.5	1	2	3	5	10
Minimum radius curve (ft)	2.62	3.28	3.61	4.26	4.59	6.56
Product dimensions (in)	A min	11.61	12.24	16.89	17.52	19.29
	B	7.83	9.69	10.87	13.07	16.69
Product dimensions (in)	C	7.36	8.74	10.34	12.17	15.59
	G	4.13	4.92	5.91	6.73	7.48
Max flange thickness (in)	E	1.18	1.50	1.50	1.57	1.77
Adjustable flange width (in)		1.97-8.00	2.50-8.00	3.64-12.00	3.94-12.00	4.50-12.00
Net weight (lbs)	16	23	42	64	95	196



Wheel & Bail dimensions

SIZE	0.5T	1T	2T	3T	5T	10T
E	3.11	3.74	4.25	5.12	5.63	6.93
F	2.17	2.68	3.15	3.94	4.33	5.35
G	3.50	4.02	5.12	6.02	7.24	7.68
H	1.26	1.58	2.05	2.48	2.95	4.72
I	0.57	0.59	0.71	0.87	1.18	1.77
J	0.98	1.18	1.50	1.58	1.97	2.84
K	1.97	2.44	2.95	3.35	4.25	11.42
L	0.24	0.32	0.47	0.55	0.63	0.98

Dimensions and illustrations are for reference only and subject to change without notice.



DYNAMOMETER EQUIPPED LEVER HOIST



Features

The Dyno-Hoist provides an accurate and reliable reading of the weight of the load being lifted and displays "OVER" when you have reached 126% rated capacity of the hoist. The integrated dynamometer can display the load weight in kg or lbs. and runs on standard AA batteries with a run time of 150 hours. When not in use the battery energy saving system turns off the dynamometer. This scale is used for weighing loads not for trade.

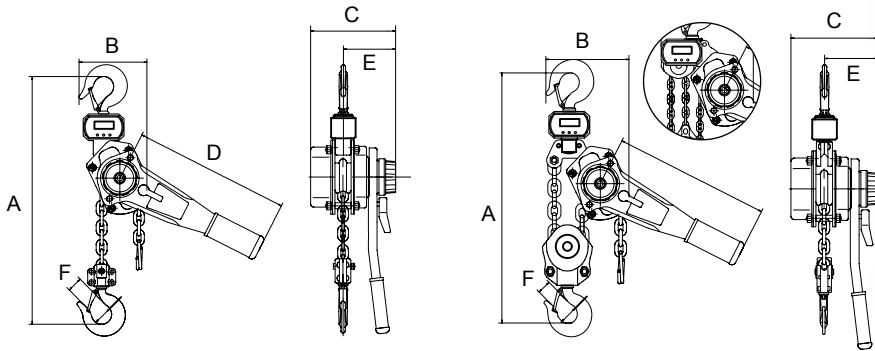
- All-steel construction
- Zinc plated load chain
- Fully-enclosed gearing
- Long lasting powder coat finish
- Load sheave bearings
- Individual test certificate & serial number
- Steel handle with rubber grip
- Forged alloy steel hooks
- Minimal load lifting effort
- Heavy-duty latches
- Weston-Style brake system
- AC power cord/charger included

Standards - CE, ASME.ANSI B30.21, AS1418.2



0.75, 1.5, 3T

6, 9T (9T pictured, 3 falls of chain)



	OZDH075-XXLH	OZDH150-XXLH	OZDH300-XXLH	OZDH600-XXLH	OZDH900-XXLH
Capacity (tons)	0.75	1.5	3	6	9
Effort to Lift S.W.L (lbs)	31.4	49.5	72	76.5	81
Falls of Chain	1	1	1	2	3
Load Chain Diameter (mm)	6x18	8x24	10x30	10x30	10x30
Product Dimensions (in)	A	15.96	17.73	21.82	26.41
	B	5.28	5.91	7.48	9.53
	C	5.71	6.89	7.68	7.68
	D	12.2	16.14	16.14	16.14
	E	3.39	3.94	4.53	4.53
Hook-opening, Upper & Lower	F	1.18	1.26	1.50	1.89
Net Weight (lbs)	15	23	40	58	90

OZDH75-10LH

Standard Lift: 5, 10, 15, 20 ft. We also do custom rigging

Dimensions and illustrations are for reference only and subject to change without notice. XX in hoist model number indicates length of lift by foot.



WARNING
CANCER AND REPRODUCTIVE HARM
Some products may contain chemicals known
to the state of California to cause cancer,
or birth defect or reproductive harm.
www.P65Warning.ca.gov



Features

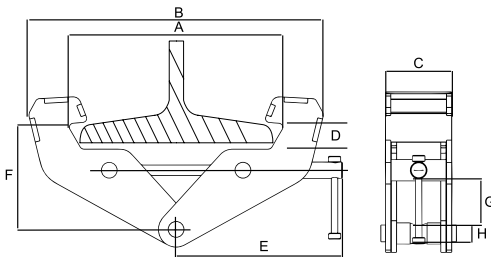
- Fall protection 310 lb.
- Robust all-steel fully-welded construction
- Super-quick adjustment to most I-Beams (see measurements below)
- ROHS compliant zinc plated finish
- Permanent engraved load rating
- Secondary rod lock nut
- Made in USA
- Individual test certificate & serial number

Standards:

This product meets or exceeds OSHA 1926 Subpart M
OSHA 1910.140
ASME Z359.1
ASME A10.32-2012
standards for fall protection.



OZ1BCA-MR

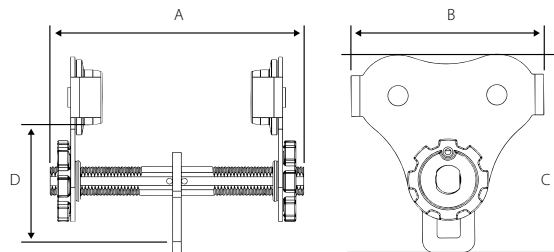


	OZ1BCA-MR	OZ2BCA-MR	OZ3BCA-MR	OZ5BCA-MR	OZ10BCA-MR
Capacity (tons)	1	2	3	5	10
Fall Protection (lbs)	310	310	310	310	310
Dimensional Information (in)	A	3-8	3-8	3.5-13	3.5-13
	B	14.75	14.75	20.5	20.5
	C	2.51	2.91	3.94	4.41
	D	0.9	0.9	1.5	1.5
	E	9.5	9.5	11	11
	F	4.75-5.75	4.75-5.75	7.5-9	7.5-9
	G	1.75	1.75	2.5	2.5
	H	.75	.875	.975	1.125
Net Weight (lbs)	9	11	22	26	39

PUSH BEAM TROLLEY USA

Features

- Fall protection 310 lb.
- Fast and easy width adjustments
- Built-in width adjustment indicator
- Universal wheel tread fits most I, S, and W-Beams
- Premium double-sealed ball bearings
- ROHS compliant zinc plated finish
- Anti-drop plates
- Glow in the dark decals
- Ships fully assembled
- Made in USA
- Individual test certificate & serial number



OZ1PBTA-MR
[PATENTED]

Standards:

This product meets or exceeds OSHA 1926 Subpart M
OSHA 1910
ASME Z359.1-2007
ASME A10.32-2012
standards for fall protection.

Dimensions and illustrations are for reference only and subject to change without notice.

See wheel & bail dimensions page 18

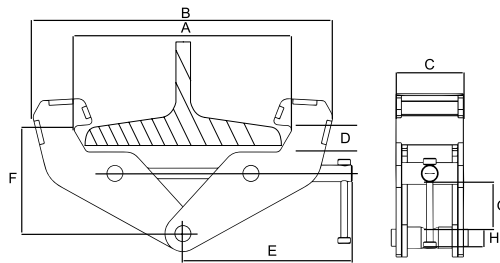
	OZ05PBTA-MR	OZ05PBTA-MR-12	OZ05PBTA-MR-16	OZ1PBTA-MR	OZ1PBTA-MR-12	OZ1PBTA-MR-16
Capacity (tons)	5	5	5	1	1	1
Adjustable flange width (in)	2.52-8.00	2.52-12.00	2.52-16.00	2.75-8.00	2.75-12.00	2.75-16.00
Max Flange Thickness (in)	1.12	1.12	1.12	1	1	1
Product dimensions	A	12.25	15.5	19.5	11	15.5
	B	8.3	8.3	8.3	10.2	10.2
	C	8.5	8.5	8.5	9.8	9.8
	D	5	5	5	5.5	5.5
Minimum radius curve (ft)	2.75	2.75	2.75	3.35	3.35	3.35
Net weight (lbs)	16	19	20	26	30	31



Features

- Robust all-steel fully-welded construction
- Super-quick adjustment to fit most I-Beams (see measurements below)
- ROHS compliant zinc plated finish
- Permanent engraved load rating
- Individual test certificate and serial number
- Made in USA

**Standards - ASME/ANSI B30.16,
BTH-1 Design Category B Service Class 0**

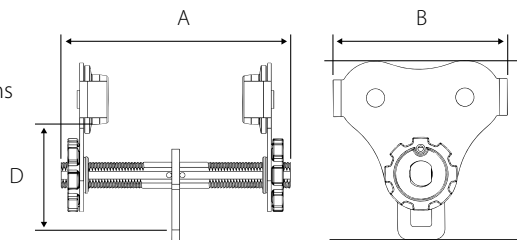


	OZ1BCA	OZ2BCA	OZ3BCA	OZ5BCA	OZ10BCA
Capacity (tons)	1	2	3	5	10
A	3 – 9	3 – 9	3.5 – 13	3.5 – 13	3.5 – 13
B	14.75	14.75	20.5	20.5	22
C	2.51	2.91	3.94	4.41	4.72
Dimensions (in)					
D	0.9	0.9	1.5	1.5	1.5
E	9.5	9.5	11	11	11.5
F	4.75 – 5.75	4.75 – 5.75	7.5 – 9	7.5 – 9	5.5 – 9.375
G	1.75	1.75	2.5	2.5	4
H	.75	.875	.975	1.125	1.625
Net Weight (lbs)	9	11	22	26	39

PUSH BEAM TROLLEY USA

Features

- Fastest adjusting trolley requiring no tools to install
- Lightweight robust construction
- ROHS compliant zinc plated finish
- Glow in the dark decals
- Universal wheel tread fits most I, S, and W-Beams
- Precision ball bearing trolley wheels
- Side plates protect trolley wheels
- Anti-drop plate
- Individual test certificate and serial number
- Made in USA



Standards - ASME/ANSI B30.17



	OZ05PBTA	OZ05PBTA-12	OZ05PBTA-16	OZ1PBTA	OZ1PBTA-12	OZ1PBTA-16	OZ2PBTA	OZ3PBTA
Capacity (tons)	.5	5	.5	1	1	1	2	3
Adjustable flange width (in)	2.52-8.00	2.52-12.00	2.52-16.00	2.75-8.00	2.75-12.00	2.75-16.00	3.75-8.00	3.75-8.00
Max Flange Thickness (in)	1.12	1.12	1.12	1	1	1	1.5	1.75
Product dimensions								
A	12.25	15.5	19.5	11	15.5	19.5	14	14
B	8.3	8.3	8.3	10.2	10.2	10.2	12	15.4
C	8.5	8.5	8.5	9.8	9.8	9.8	11.9	14
D	5	5	5	5.5	5.5	5.5	8.5	9.87
Minimum radius curve (ft)	2.75	2.75	2.75	3.35	3.35	3.35	4.5	5
Net weight (lbs)	16	19	20	26	30	31	45	80



See wheel and bail dimensions on page 18
Dimensions and illustrations are for reference only and subject to change without notice.

BEAM CLAMP



Features

- Robust, all-steel construction
- Super-quick adjustment to fit most I-Beams (see measurements below)
- Durable baked-enamel paint protection
- Stainless steel ID tag
- Individual test certificate and serial number

Standards - CE, ASME/ANSI B30.16

	OZ1BC	OZ2BC	OZ3BC	OZ5BC	OZ10BC
Capacity (tons)	1	2	3	5	10
A	2.95-9.05	2.95-9.05	3.15-12.60	3.54-12.60	3.54-12.60
B	14.96 max.	14.96 max.	18.50 max.	19.68 max.	20.47 max.
C	2.51	2.91	3.94	4.41	4.72
Dimensions (in)					
D	.90	.90	1.57	1.57	1.60
E	9.13	9.13	10.63	10.90	11.22
F	3.54-5.90	3.54-5.90	5.71-8.66	5.71-8.66	6.30-9.05
G	1.02	1.02	2.63	3.50	3.87
H	.75	.87	.96	1.30	1.60
Net Weight (lbs)	9	11	21	25	35

PUSH BEAM TROLLEY



Features

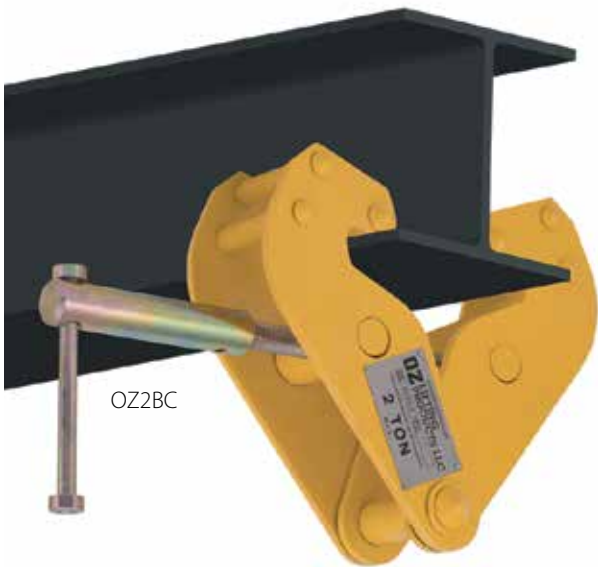
- Lightweight robust construction
- Fits most I, S, and W-Beams
- Durable baked enamel paint protection
- Precision ball bearing trolley wheels
- Anti-drop plate
- Stainless steel ID tag
- Individual test certificate and serial number

Standards - CE, ASME /ANSI B30.17

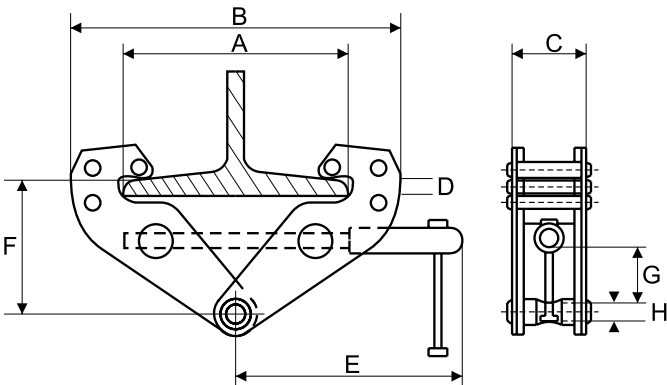
	OZ025PBT	OZ05PBT	OZ1PBT	OZ2PBT	OZ3PBT	OZ5PBT	OZ10PBT
Capacity (tons)	.25	.5	1	2	3	5	10
Adjustable Flange Width (in)	2.00-6.00	2.52-8.00	2.52-8.00	3.46-12.00	4.33-12.00	4.49-12.00	4.95-12.00
Max Flange Thickness (in)	0.82	1.14	1.50	1.18	1.36	1.44	1.97
Product Dimensions (in)							
A	10.00	12.25	12.75	17.0	17.72	18.90	17.56
B	7.68	8.35	9.45	11.53	13.78	15.04	16.75
C	6.77	7.67	8.74	10.53	12.68	14.65	16.00
D	4.02	4.33	4.90	5.79	6.83	7.87	7.5
Minimum Radius Curve (ft)	3.25	3.28	3.28	3.28	4.59	3.28	8.20
Net Weight (lbs)	7.7	12	23	40	66	100	192
Bail Pins	1	1	1	1	1	1	2

See wheel and bail dimensions on page 18

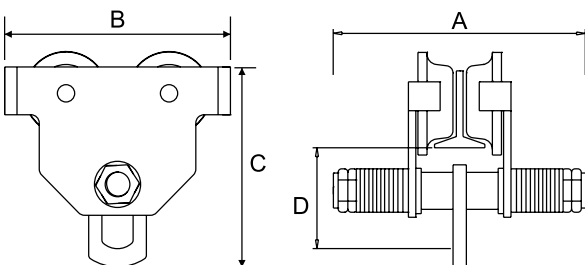
Dimensions and illustrations are for reference only and subject to change without notice.



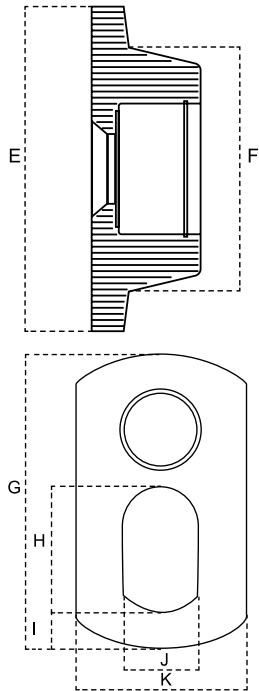
OZ2BC



OZ3PBT



PUSH BEAM TROLLEY WHEELS & BAIL DIMENSIONS



USA – See product page 16 & 17

	OZ05PBTA	OZ1PBTA	OZ2PBTA	OZ3PBTA
E (in)	3.25	4.00	4.5	5.75
F (in)	2.38	3.00	3.25	4.38
G (in)	4.38	5.00	6.25	6.88
H (in)	1.50	1.88	2.25	2.5
I (in)	0.63	0.63	0.88	1.0
J (in)	1.00	1.25	1.38	1.5
K (in)	2.25	2.50	3.13	3.5
L (in)	0.38	0.50	0.50	0.63

Import – See product page 18

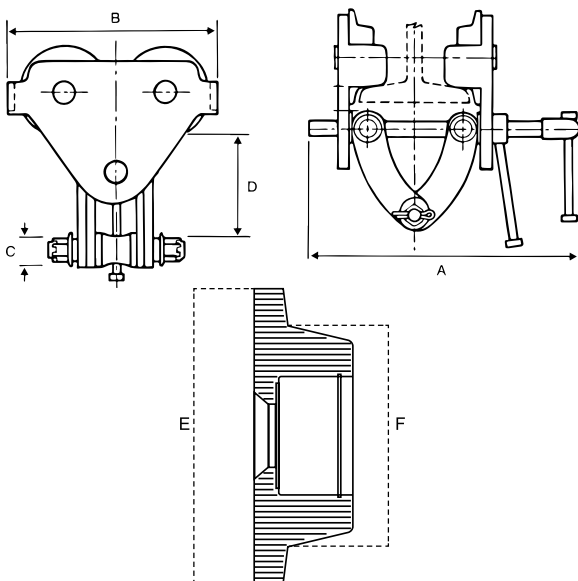
	OZ025PBT	OZ05PBT	OZ1PBT	OZ2PBT	OZ3PBT	OZ5PBT	OZ10PBT
E (in)	2.56	2.83	3.50	4.53	5.51	6.06	6.91
F (in)	1.77	2.05	2.48	3.35	4.13	4.60	5.24
G (in)	3.27	4.06	4.21	5.43	6.50	7.87	7.68
H (in)	1.18	1.52	1.52	2.24	2.68	3.15	4.49
I (in)	0.59	0.75	0.75	0.83	1.02	1.44	1.91
J (in)	0.94	1.26	1.26	1.34	1.65	1.89	3.35
K (in)	1.65	2.24	2.24	3.15	3.74	4.33	11.22
L (in)	0.24	0.31	0.39	0.47	0.16	0.71	0.79

QUICK ADJUST TROLLEY

Features

- Lightweight, robust construction.
- Super-quick adjustment to most I, S, and W-Beams (see measurements below)
- Safety handle lock
- Durable baked-enamel paint protection
- Precision ball bearing trolley wheels
- Anti-drop plate
- Stainless steel ID tag
- Individual test certificate and serial number

Standards - CE, ASME/ANSI B30.17



OZ1QAT

	OZ05QAT	OZ1QAT	OZ2QAT	OZ3QAT	OZ5QAT	OZ10QAT
Capacity (tons)	5	1	2	3	5	10
Adjustable Flange Width (in)	3.63-7.12	2.48-8.27	2.99-8.27	2.99-8.27	3.94-12.01	6.89-12.01
Max Flange Thickness (in)	1.44	2	2.17	1.42	3.07	2.13
Dimensional Information (in)	A	11.75	13.98	14.17	14.17	18.50
	B	8.00	9.53	11.06	12.91	14.84
	C	.75	.88	.88	.97	1.11
(min-max)	D	5.87-7.12	5.75-7.22	6.06-7.22	6.35-7.97	8.81-10.61
Minimum Curve Radius (ft)	3.28	3.28	3.61	4.26	4.60	5.57
Net Weight (lbs)	13	25	38	57	102	205

	OZ05QAT	OZ1QAT	OZ2QAT	OZ3QAT	OZ5QAT	OZ10QAT
E (in)	3.22	4.02	5.00	5.79	6.30	7.34
F (in)	2.28	2.96	3.55	4.34	4.81	5.96



Dimensions and illustrations are for reference only and subject to change without notice.



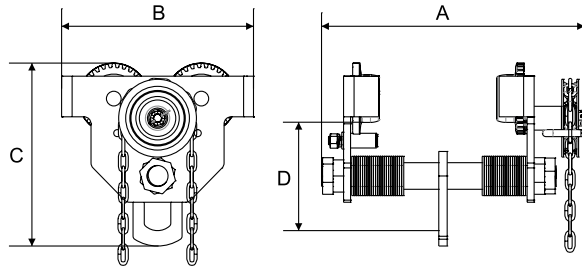
GEARED BEAM TROLLEY



Features

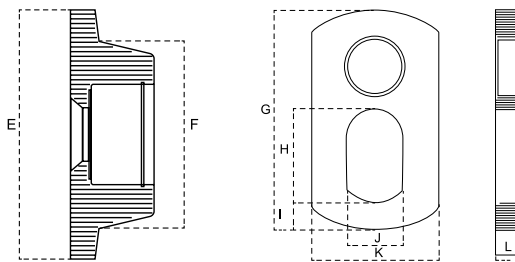
- Lightweight robust construction
- Fits most I, S, and W-Beams
- Durable baked enamel paint protection
- Gearing for positive load positioning
- Precision ball bearing trolley wheels
- Anti-drop plate
- Individual test certificate & serial number
- Zinc plated hand chain standard. Stainless steel hand chain available on request

Standards - CE, ASME/ANSI B30.17



	OZ1GBT	OZ2GBT	OZ3GBT	OZ5GBT	OZ10GBT	OZ20GBT	OZ30GBT
Capacity (tons)	1	2	3	5	10	20	30
Adjustable Flange Width (in)	2.52-8	3.46-8	3.46-8	3.46-8	4.88-8	5.39-13	5.83-13
Max Flange Thickness (in)	1.50	1.61	1.81	2.28	1.97	2.17	2.36
Product Dimensions (in)							
A	14.96	15.20	16.38	17.09	15.59	26.61	27.56
B	9.45	10.63	12.60	13.62	16.77	20.79	23.31
C	8.41	10.28	12.48	15.08	15.75	19.65	24.33
D	4.90	6.08	7.30	9.09	8.31	9.96	12.35
Minimum Radius Curve (ft)	3.28	4.27	4.92	5.25	8.3	16.40	16.40
Net Weight (lbs)	29	42	62	90	183	406	650
Standard Length of Hand Chain (ft)	9.00	9.00	9.00	9.00	9.00	9.00	9.00
Effort to Pull (lbs)	10	18	29	24	42	18	24
Chain pulled to move one foot (ft)	3.80	3.90	3.70	4.02	18.90	47.83	31
Bail Pins	1	1	1	1	2	2	2

50 and 100 T models available. Special order only. Please contact for specifications.



	OZ1GBT	OZ2GBT	OZ3GBT	OZ5GBT	OZ10GBT	OZ20GBT	OZ30GBT
E (in)	3.50	4.00	5.79	6.30	7.45	8.86	10.08
F (in)	2.48	2.68	4.34	4.81	5.95	6.68	7.88
G (in)	3.86	5.31	7.09	8.67	11.23	9.72	12.49
H (in)	1.46	2.01	2.96	3.75	4.73	4.53	6.42
I (in)	0.51	0.87	1.03	1.38	1.78	2.96	2.95
J (in)	1.02	1.50	1.78	2.37	3.23	4.25	5.91
K (in)	1.91	2.76	3.94	4.73	5.91	14.17	16.14
L (in)	0.39	0.47	0.63	0.79	0.99	1.38	1.97



OZ5GBT



OZ30GBT

With Gear Reduction - 20 and 30 T



Dimensions and illustrations are for reference only and subject to change without notice.



ELECTRIC CHAIN HOIST



Features

Overload Protection – High performance friction clutch that is integrated with the load brake. This device is designed to prevent overloading the hoist.

Hook – Forged carbon steel load hook with a heavy duty latch. Bottom hook features a thrust bearing to allow 360° rotation to prevent twisting of load chain. Top hook is rigid.

Load Sheave – Provides better distribution of the load and smooth lifting with reduced vibration and wear.

Gearing – Precision machined gears heat treated for strength and durability. Oil bath lubrication on all bearing rotating points for a quieter, smoother and cooler operation.

Braking – Dual braking system combines mechanical plus regenerative braking for instant and safe operation.

Chain – Grade 80 case-hardened alloy steel for long and dependable service life.

H3 Duty Class – 25-30% duty cycle for operation in various applications.

115V Power – 115/1/60 – Standard power making it easy to use virtually anywhere.

Pendant Controls – IP64 ergonomic pendant design for operator comfort. Lift and lower load easily with integrated emergency stop.

Compact Aluminum Body – Compact and lightweight powder coated cast aluminum alloy body making it perfect for many work station applications.

Chain Bag – Durable vinyl bag comes standard. Oversized chain bag available on request.

Individual test certificate and serial number

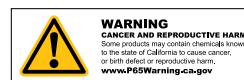
Standards - CE



OZ1000EC



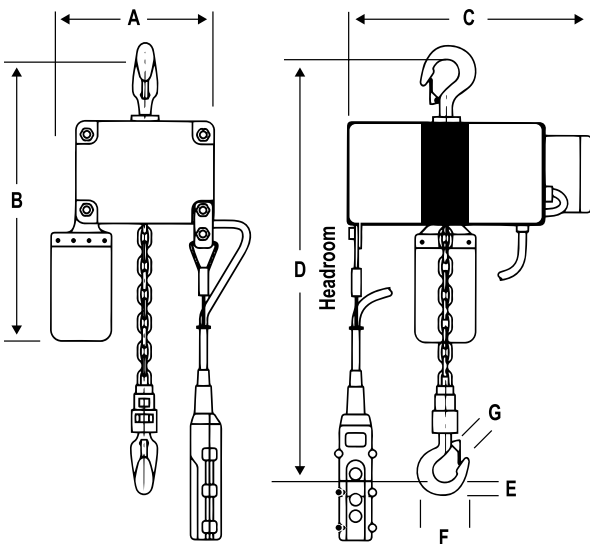
**OVERLOAD
PROTECTED**



	OZ500EC	OZ1000EC	OZ2000EC	OZ4000EC
Voltage	115 / 1 / 60	115 / 1 / 60	115 / 1 / 60	115 / 1 / 60
Capacity (lbs)	500	1000	2000	4000
Falls of Chain	1	1	1	2
Speed (FPM)	12.5	20	13	6.5
Motor (HP)	.25	1.8	2.4	2.4
Motor KW	180W/4A	1400W/10A	1800W/13A	1800W/13A
Standard Lift (ft)	20	20	10	10
Duty Cycle (min)	15 (25%)	18 (30%)	18 (30%)	18 (30%)
Pendant Length (ft)	15	19	19	19
Power Cord Length (ft)	15	15	15	15
Load Chain Diameter (mm)	4	6.3	7.1	7.1
Net Weight (lbs)	18	53	59	84

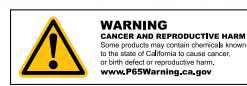
Custom lengths of lift available on all capacities shown.

500, 1000, 2000, 4000 LBS



	OZ500EC	OZ1000EC	OZ2000EC	OZ4000EC
A (in)	5	6.69	8.27	10.63
B (in)	15	27	28	30
C (in)	9.5	17.72	20.08	20.08
D - Headroom (in)	11	16.93	18.90	24.40
E (in)	0.6	1.02	1.14	1.61
F (in)	2.5	3.62	3.90	5
G (in)	0.75	0.87	1.22	1.5

Dimensions and illustrations are for reference only and subject to change without notice.



ELECTRIC BUILDER'S HOIST



Features

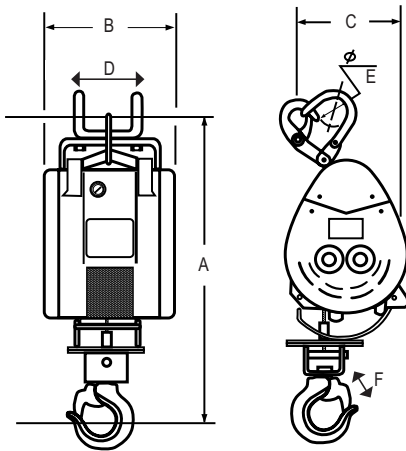
- Lightweight and compact design for convenient mounting
- Automatic shut-off when rope reaches limit arm
- Dynamic and mechanical brake provides instant and safe braking
- Upper and lower limit switches for additional safety
- Sensor arm for motor shut-off to prevent reverse winding
- Galvanized wire rope with 360-degree weighted hook includes safety latch
- Quick release pendant and power cords
- Standard 115V power source-compatible
- Individual test certificate & serial number
- Wireless plug & play adapter available

Standards - CE

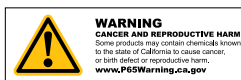
	OBH500	OBH1000
Capacity - Full Drum (lbs)	500	1000
Motor Voltage	115/1/60	115/1/60
Speed (fpm)	75	37
Motor (HP)	1.74	2.41
Motor KW	1300W/17.5A	1800W/15.5A
Lifting Height (ft)	90	90
Wire Rope (in)	3/16	1/4
Net Weight* (lbs)	54	73
Power cord length (ft)	15	15
Pendant length (ft)	65	65
Full Load (AMPS)	17.5	15.5
Duty Cycle (min)	15 (25%)	15 (25%)



500 & 1000 LBS



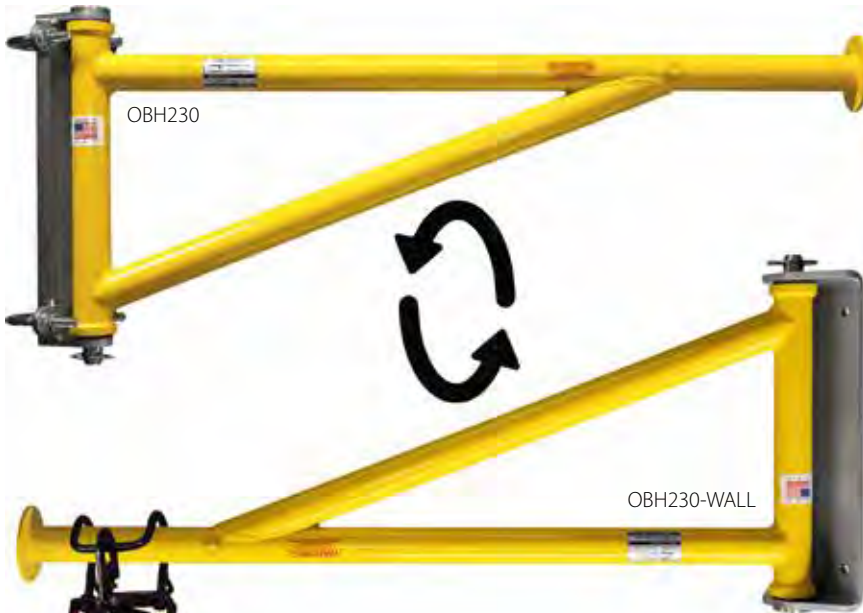
		OBH500	OBH1000
A (in)	Height	26.77	28.50
B (in)	Width	9.50	10.50
C (in)	Depth	7.88	12.00
D (in)	Hanger Width	4.50	5.50
E (in)	Hanger Opening	2	2
F (in)	Hook Opening	1.62	1.50



Dimensions and illustrations are for reference only and subject to change without notice.



ELECTRIC SERIES HOIST ACCESSORIES



OBH230

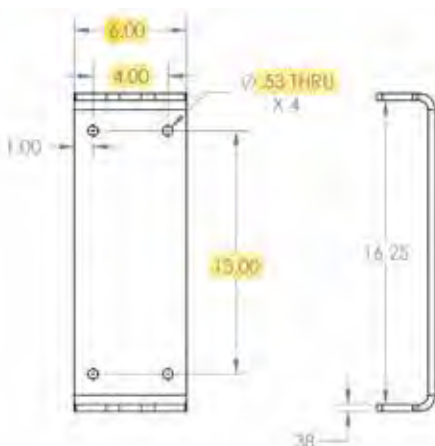
OBH230-WALL

Mounting Arm Bracket (Pipe-Mount and Wall-Mount)

- Durable powder coat finish
- Solid mounting bracket
- Portable / Light Weight
- Quick mount
- Includes mounting template
- Made in USA

Both OBH230 and OBH230-WALL can be reverse mounted. Ideal for low headroom situations.

	OBH230	OBH230-WALL
W - Width (in)	40 1/2	40 1/2
H - Height (in)	17 3/4	17 3/4
D - Mounting Pipe (in)	2	N/A
Capacity (lbs)	1000	1000
Net Weight (lbs)	26	31



OBH230-WALL - Mounting bolt pattern

Dimensions and illustrations are for reference only and subject to change without notice.

OBH-CLAMP Builder's Hoist Beam Clamp



OBH-CLAMP	
A - Width (in)	13.5
B - Height (in)	5.375
Max flange width (in)	8
Capacity (lbs)	1000
Net Weight (lbs)	8

OBH-HC Hoist Clamp

Hoist Clamp for hanging 1000 lb. and under manual and electric chain hoist on OBH230 & OBH230-WALL



OZ05PBTA-OBH
Trolley with OBH Hanger 1
Refer to OZ05PBTA dimensions on page 15



OZGBT-OBH
Geared Trolley with OBH Hanger 2
Refer to OZ1GBT dimensions on page 18

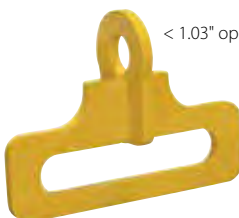


OZPBT-OBH
Push Beam Trolley with OBH Hanger 2
Refer to OZ1PBT dimensions on page 18

OBH Hanger < 1.265" opening



OBH-HANGER



OBH-HANGER2

< 1.03" opening



WIRELESS ADAPTERS



The OZ Lifting Products Wireless Adapter is a plug-and-play unit that allows the user the ability to control their OZ Electric Chain Hoist or OZ Electric Builder's Hoist wirelessly from up to 250 feet away. The Wireless Adapter can be installed in minutes and connects to the hoist to improve safety, productivity, and efficiency for a variety of lifting applications.

Features

- Operate the hoist from a safe distance of up to 250 feet while keeping line of sight
- Compact and lightweight design easily connects and pairs to OZ Electric Chain Hoist or OZ Electric Builder's Hoist
- Improved safety, productivity, and efficiency
- 115V receiver voltage

Hoist sold separately. Remote requires (2) AA batteries. Batteries not included.

Standards - CE



	ECWA	OBHWA-T500	OBHWA-T1000	OBHWA
Dimensions (Length x Width x Height)	7 X 12 X 4.5	6 X 4 X 5	8 X 5 X 7	10 X 4.5 X 3.5
Weight Assembled (lb)	3.4 lb.	1.2 lb.	1.8 lb.	2.6 lb.
Receiver Voltage	115V	115V	115V	115V
Transmitter Battery	AA (x2)	AA (x2)	AA (x2)	AA (x2)
Operating Range (Line of Sight)	250 ft.	250 ft.	250 ft.	250 ft.

ECWA with OZ1000EC shown



WARNING
CANCERS AND REPRODUCTIVE HARM
 Some products may contain chemicals known to the state of California to cause cancer, or birth defect or reproductive harm.
www.P65Warning.ca.gov

Dimensions and illustrations are for reference only and subject to change without notice.



All Wireless Adapter kit includes: Transmitter, receiver, mounting bracket, and hardware.
Batteries not included. Hoist sold separately.

WIRELESS ADAPTER COMPATIBILITY

ECWA	Wireless Adapter for use with: OZ1000EC (All serial numbers), OZ2000EC (Excluding serial numbers starting with "V"), OZ4000EC (Excluding serial numbers starting with "V")
OBHWA-T500	Wireless Adapter for use with: OBH500 (Only models with serial numbers starting with "T")
OBHWA-T1000	Wireless Adapter for use with: OBH1000 (Only models with serial numbers starting with "T")
OBHWA	Wireless Adapter for use with: OBH500 & OBH1000 (Only serial numbers starting with "K" or "500") Plug & Play

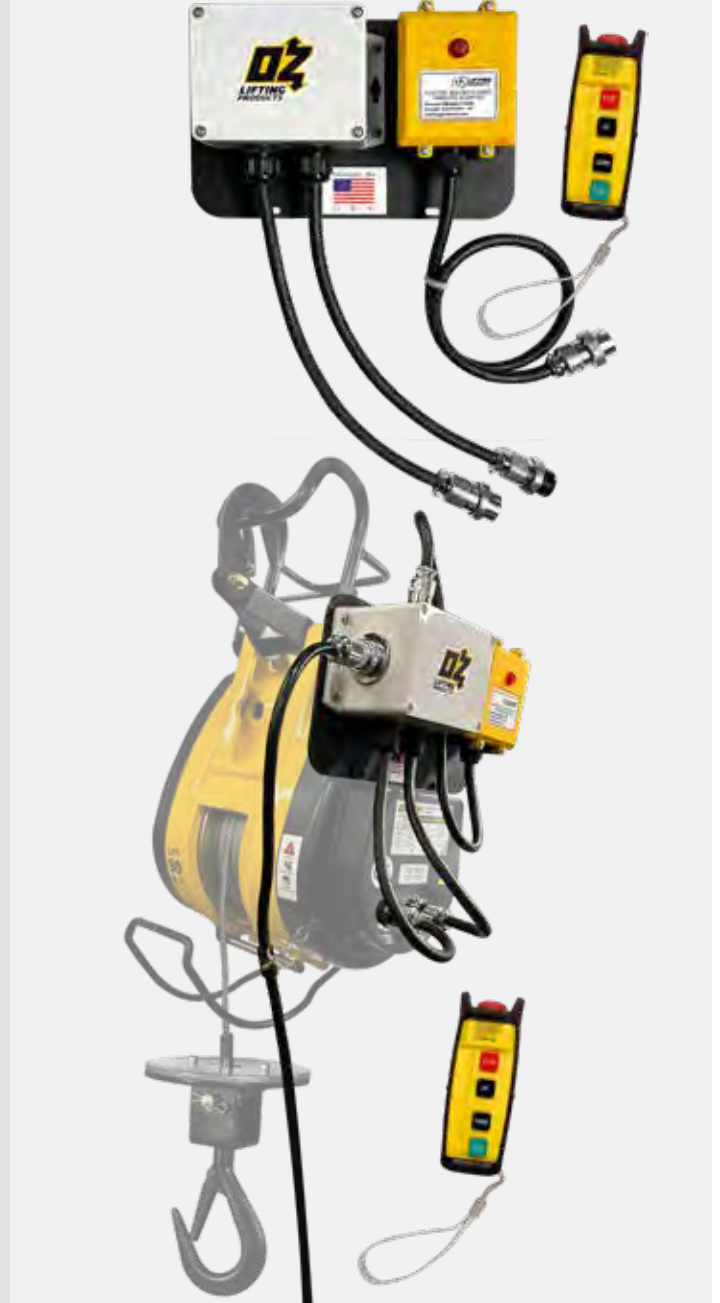
OBHWA-T500/T1000

OBHWA-T500 with OBH500 shown



OBHWA

OBHWA with OBH1000 shown



WARNING
CANCER AND REPRODUCTIVE HARM
 Some products may contain chemicals known to the state of California to cause cancer, or birth defect or reproductive harm.
www.P65Warning.ca.gov

Dimensions and illustrations are for reference only and subject to change without notice.



CARBON STEEL & STAINLESS STEEL BRAKE WINCHES



Features

- Compact design
- Automatic weatherproof Weston-style brake
- Ergonomic rubber handle
- High gear ratio
- Multiple frame mounting positions

- Test certificate & serial number
- Solid machined gear
- For lifting or pulling/tensioning
- Dual cable anchor point

- Left hand version of stainless steel winch
- Drill drive adapter standard on available (OZ1000BWSS-LH) stainless steel. Optional on carbon steel

Standard - CE



Carbon Steel
OZ1000BW

Stainless Steel
OZ1000BWSS

OZWINHND1

OZWINHND2

Left Handed Stainless Steel
OZ1000BWSS-LH

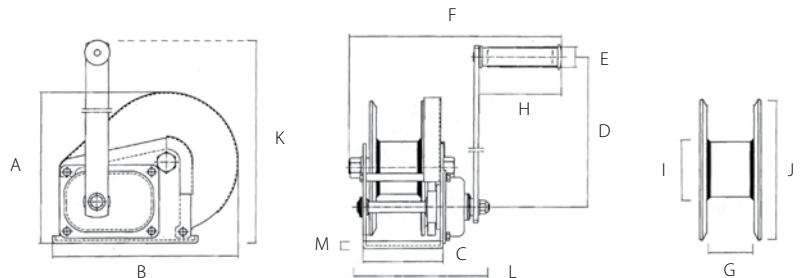


Drill Drive
Adapter

Cable/Drum Capacity	First Layer (ft)	Mid drum (ft)	Full drum (ft)
OZ1000BW – OZ1000BWSS using 1/8" wire rope	7	74	140
OZ1000BW – OZ1000BWSS using 3/16" wire rope	5	34	75
OZ1500BW – OZ1500BWSS using 3/16" wire rope	7	66	140
OZ1500BW – OZ1500BWSS using 1/4" wire rope	5	27	89
OZ2000BW – OZ2000BWSS using 1/4" wire rope	8	36	85
OZ2000BW – OZ2000BWSS using 5/16" wire rope	7	22	52
OZWINHND1 – 3/16" wire rope	11	40	80
OZWINHND1 – 1/4" wire rope	8	27	55
OZWINHND2 – 5/16" wire rope	7	42	45

Load Capacity (lbs - based on the amount of wire rope)		
OZ1000BW – OZ1000BWSS	1000	750
OZ1500BW – OZ1500BWSS	1500	1250
OZ2000BW – OZ2000BWSS	2000	1500
OZWINHND1	1200	875
OZWINHND2	2500	2000

*Wire rope not included - see available options page 39



	OZ1000BW	OZ1000BWSS	OZ1500BW – OZ1500BWSS	OZ2000BW – OZ2000BWSS	OZWINHND1	OZWINHND2	
Capacity (lbs)	1000	1000	1500	2000	1200	2500	
Gear Ratio	4.2:1	4.2:1	5:1	10:1	5.4:1	17.3:1	
Dimensions (in)	A	6.22	6.22	7.73	6.75	6.95	
	B	7.20	7.20	9.36	7.50	11.42	
	C	3.46	3.46	4.21	3.89	5.56	
	D	8.26	8.26	12.68	12.99	7.00	12.33
	E	1.06	1.06	1.06	1.06	1.15	1.39
	F	10.43	10.43	10.63	11.81	10.72	13.64
	G	1.98	1.98	2.30	2.52	2.03	2.42
	H	4.29	4.29	4.29	4.29	4.00	4.00
	I	1.59	1.98	2.38	3.00	2.50	2.50
	J	5.33	5.33	7.00	7.09	6.17	6.16
	K	10.20	10.20	15.31	15.35	11.89	17.48
	L	5.98	5.98	6.89	7.87	5.61	8.86
	M	0.12	0.12	0.14	0.16	0.15	0.25
Net Weight (lbs)	8.00	8.00	17.00	22.00	10.00	24.00	



WARNING
CANCER AND REPRODUCTIVE HARM
 Some products may contain chemicals known to the state of California to cause cancer, or both defect or reproductive harm.
www.P65Warning.ca.gov

Dimensions and illustrations are for reference only and subject to change without notice.



AC & DC ELECTRIC WINCHES



Features

- Two-braking system mechanical and dynamic
- Fully-enclosed gearing
- Machine cut and hardened gears
- Lightweight
- Emergency handle
- Easily bolts on to OZ davit cranes

Capacity

OZACW (115V AC): 1200 lbs.
OZDCW (12V DC): 1200 lbs.

Net Weight

OZACW – 22 lbs.
OZDCW – 24 lbs.

Maximum Drum Capacity

3/16" diameter wire rope=90' lift
1/4" diameter wire rope=45' lift

Pendant/ Power Cord Length

115V AC: 10' Pendant
10' Power Cord
12V DC: 10' Pendant
25' (+) Power Lead

Motor Full Load AMPS

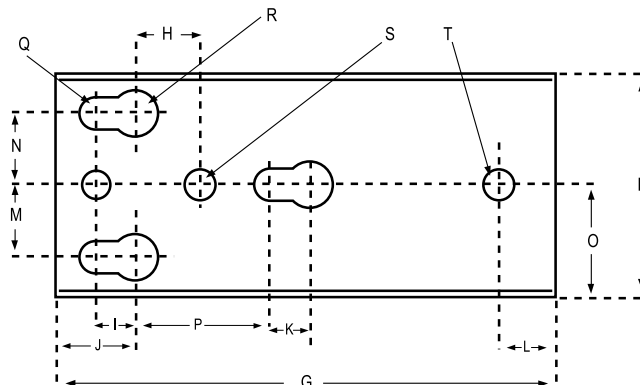
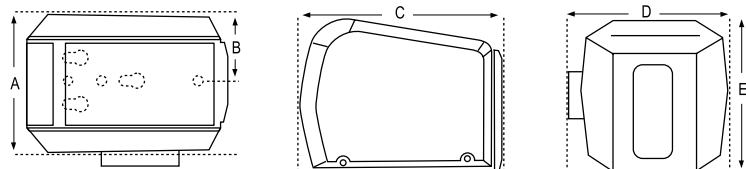
OZACW – 1.0 HP OZACW – 10A
OZDCW – 0.6 HP OZDCW – 70A



**3 minutes of continuous use
15 minute cool down**

Load Capacity Based on the Amount of Cable	3/16" Cable	1/4" Cable
First Layer (lbs)	800	1200
Mid Drum (lbs)	800	1120
Full (lbs)	800	850

Winch Speed Based on Load & Cable on the Drum	First Layer	Full
AC, No Load (ft/min)	23	35
AC, Full Load (ft/min)	12	16
DC, No Load (ft/min)	21	33
DC, Full Load (ft/min)	5.5	8



Mounting Plate

Dimensions - All Models (in)		Mounting Plate Dimensions - All Models (in)					
A	7.43	F	3.62	K	.62	P	3
B	3.57	G	8.68	L	1	Q	.53
C	10.81	H	1.18	M	1.25	R	.78
D	8.18	I	.625	N	1.25	S	.42
E	8.12	J	1.37	O	1.81	T	.50

Dimensions and illustrations are for reference only and subject to change without notice.



ALUMI-LITE® DAVIT CRANE

Individually tested and certified at 125% W.L.L



OZA500DAV, OZA1000DAV

NEW!



Ultra lightweight & portable

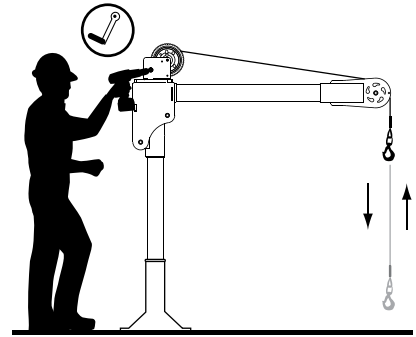
500 lbs. and 1,000 lbs. Capacity

Features

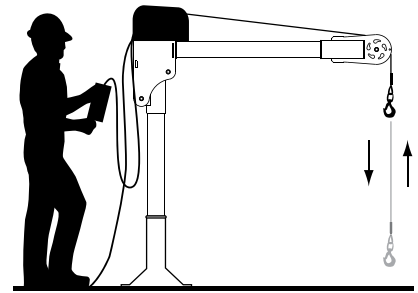
- Lightweight aerospace grade aluminum construction
- 360 degree rotation
- 3 different boom height adjustments
- Durable powder coat finish
- Truly Portable Design
- One-Person Assembly (No Tools Needed)
- Manual Din rated CE winch with brake (Includes power drill adapter)
- AC & DC winch options

OZA500DAV shown with optional OZPED3 Pedestal base and OZGAL.19-50B galvanized wire rope assembly and OZHB10 headache ball
Bases, cable assemblies and headache ball sold separately

Options for faster lowering and raising

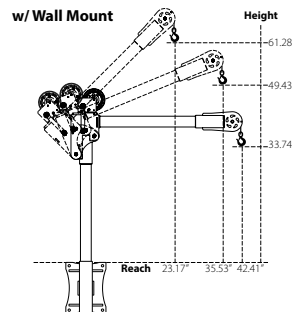
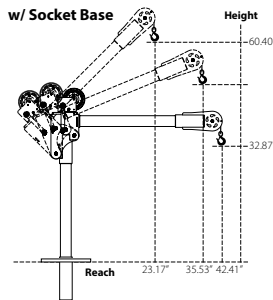
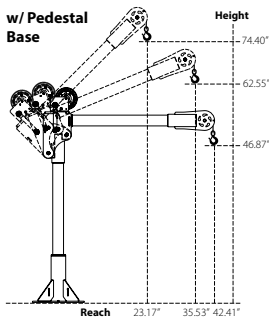


Manual winch w/drill drive adapter



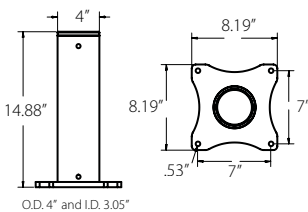
AC and DC power winches available
See page 26

OZA500DAV DIMENSIONS

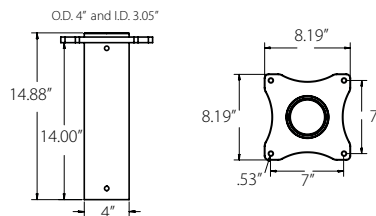


OZA500DAV BASES (sold separately) Comes with mounting template.

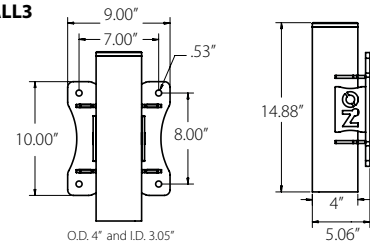
OZPED3



OZSOC3



OZWALL3



Weight

Weight (excluding winch)	Boom	Mast	Net
OZA500DAV (lbs)	12	12	24
OZA1000DAV (lbs)	25	22	47

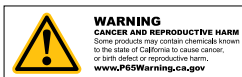
WIRE/SYNTHETIC ROPE ASSEMBLIES (sold separately) Custom length available.

Manual winch: 3/16" - 80 ft max. lift length
AC/DC Electric Winch: 3/16" - 90 ft max. lift length
See wire & synthetic rope assembly options page 39

OZA500DAV Load Ratings (lbs.)

Based on 3/16" wire rope

	First Layer	Mid Drum	Full Drum
Position 1 (0°)	275	275	275
Position 2 (+22.5°)	330	330	330
Position 3 (+45°)	500	500	500

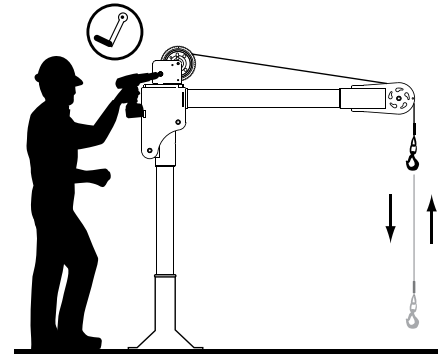


Dimensions and illustrations are for reference only and subject to change without notice.

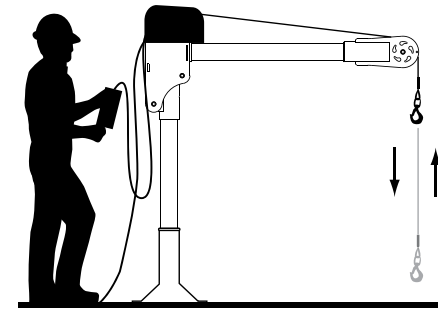




Options for faster lowering and raising



Manual winch w/drill drive adapter



AC and DC power winches available
See page 26



WIRE/SYNTHETIC ROPE ASSEMBLIES

(sold separately) Custom length available.

Manual winch: 1/4" - 55ft max. lift length

AC/DC Electric Winch: 1/4" - 45ft max. lift length

See wire & synthetic rope assembly options page 38

OZA1000DAV Load Ratings (lbs.)

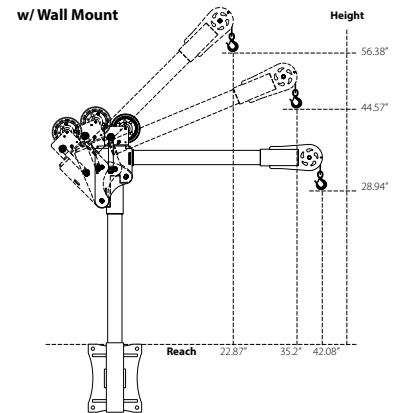
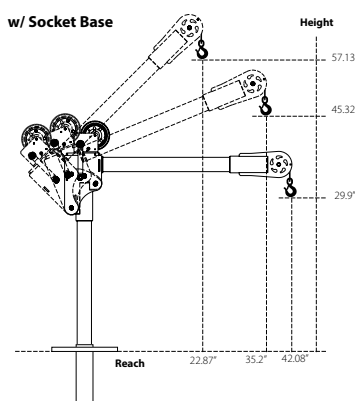
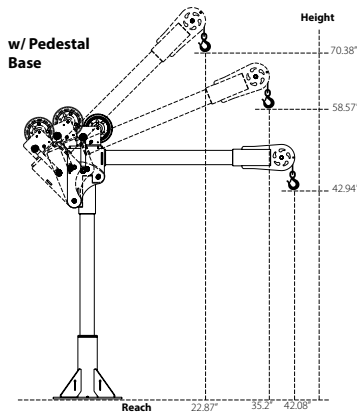
Based on 1/4" wire or 3/16" synthetic rope

	1st Layer	Mid Drum	Full Drum
Position 1 (0°)	550	550	550
Position 2 (+22.5°)	650	650	550
Position 3 (+45°)	1000	875	550

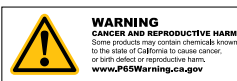
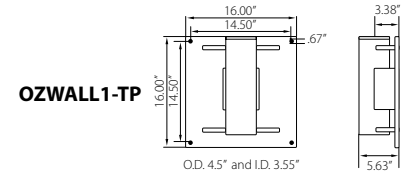
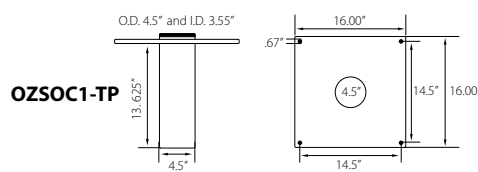
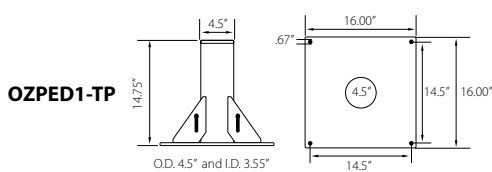
OZA1000DAV-ACW shown with optional
OZPED1-TP Pedestal base and
OZSR.19-50 synthetic rope assembly
and OZHB10 headache ball

Bases, cable assemblies and headache ball sold separately

OZA1000DAV DIMENSIONS



OZA1000DAV BASES (sold separately) Comes with mounting template.



Dimensions and illustrations are for reference only and subject to change without notice.



XR SERIES® DAVIT CRANE

Individually tested and certified at 125% W.L.L



OZXR500DAV, OZXR1000DAV

NEW!



Handle comes standard on both the XR 500 and XR 1000

500 lbs. and 1,000 lbs. Capacity

Features

- Maximum 62-inch reach and 87-inch hook height (both models)
- Maintains maximum weight capacity in all positions
- 360 degree rotation
- 4 different boom height adjustments
- Manual Din rated CE winch with brake. Includes power drill drive adapter
- Durable steel construction with powder coat finish
- Manual Din rated CE winch with brake (Includes power drill adapter)
- AC & DC winch options

OZXR500DAV-ACW shown with optional OZPED3 Pedestal base and OZSR.19-50 synthetic rope assembly and OZHB10 headache ball
Bases, cable assemblies and headache ball sold separately

Weight

Weight (excluding winch)	Boom	Mast	Net
OZXR500DAV (lbs)	26	26	57
OZXR1000DAV (lbs)	46	41	95

OZXR500DAV Load Ratings (lbs.)

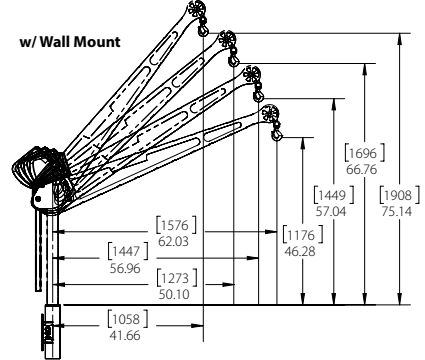
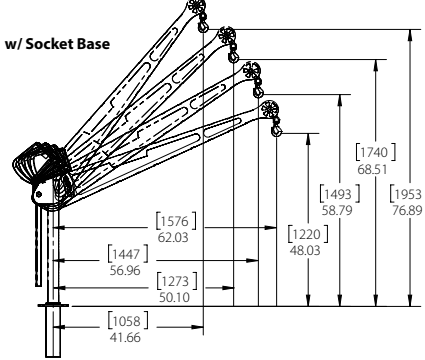
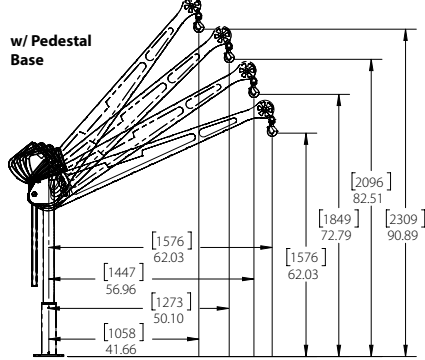
Based on 3/16" wire rope

	First Layer	Mid Drum	Full Drum
All positions	500	500	500

Manual winch: 3/16" - 80 ft max. lift length
AC/DC Electric Winch: 3/16" - 90 ft max. lift length
See wire & synthetic rope assembly options page 38

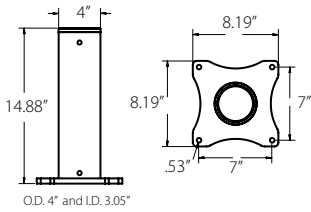
WIRE/SYNTHETIC ROPE ASSEMBLIES
(sold separately) Custom length available.

OZXR500DAV DIMENSIONS

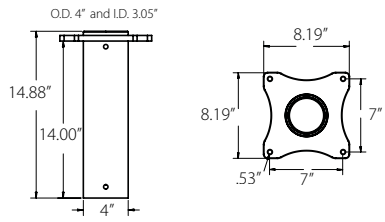


OZXR500DAV BASES (sold separately) Comes with mounting template.

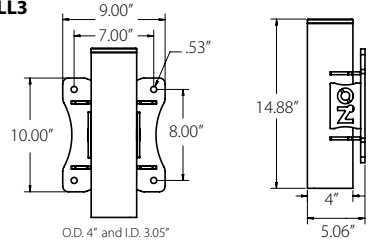
OZPED3



OZSOC3



OZWALL3



WARNING
CANCER AND REPRODUCTIVE HARM
Some products may contain chemicals known to the state of California to cause cancer, or birth defect or reproductive harm.
www.P65Warning.ca.gov

Dimensions and illustrations are for reference only and subject to change without notice.





**OZX1000DAV shown with optional
OZPED1-TP Pedestal base and
OZGAL.25-50B galvanized wire rope assembly
and OZHB10 headache ball**

Bases, cable assemblies and headache ball sold separately

WIRE/SYNTHETIC ROPE ASSEMBLIES

(sold separately) Custom length available.

Manual winch: 1/4" - 55ft max. lift length

AC/DC Electric Winch: 1/4" - 45ft max. lift length

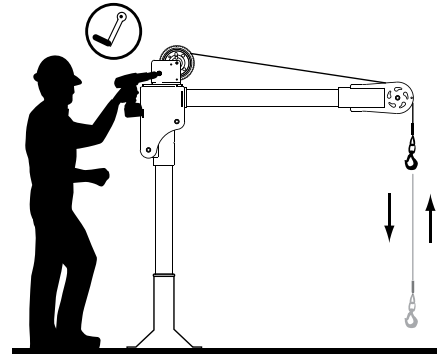
See wire & synthetic rope assembly options page 39

OZX1000DAV Load Ratings (lbs.)

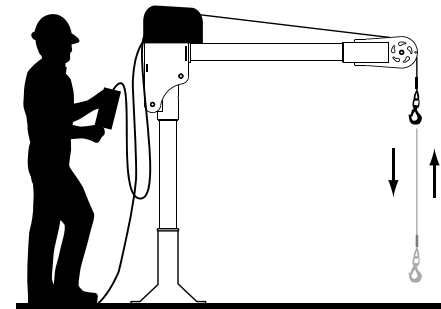
Based on 1/4" wire or 3/16" synthetic rope

	First Layer	Mid Drum	Full Drum
Position 1 (0°)	550	550	550
Position 2 (+22.5°)	650	650	550
Position 3 (+45°)	1000	875	550

Options for faster lowering and raising

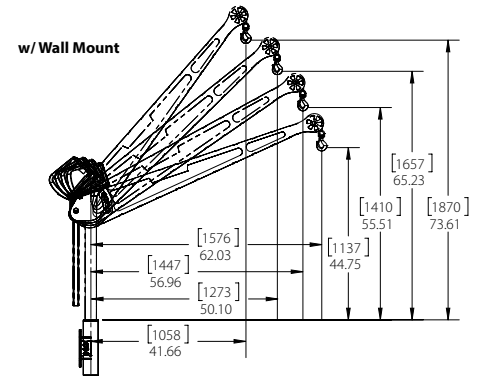
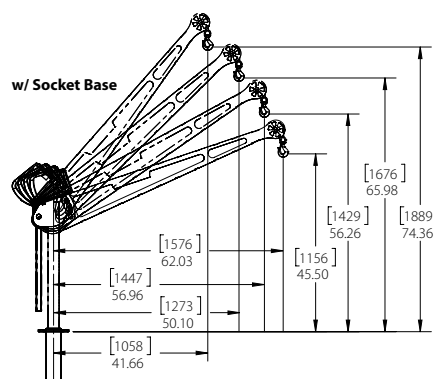
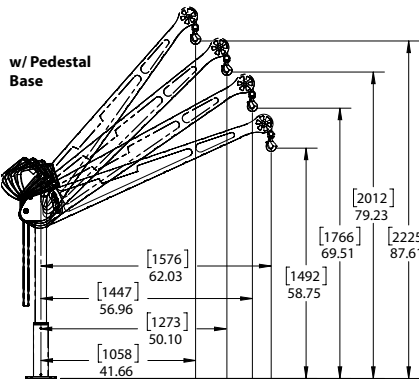


Manual winch w/drill drive adapter

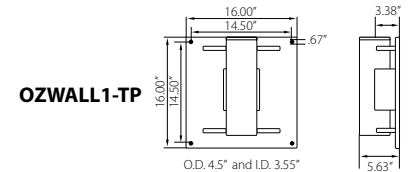
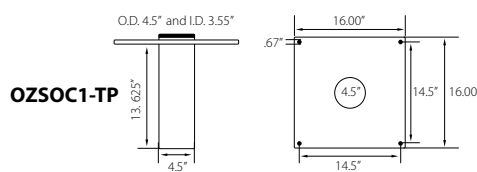
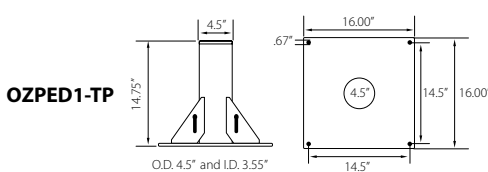


AC and DC power winches available
See page 26

OZX1000DAV DIMENSIONS



OZX1000DAV BASES (sold separately) Comes with mounting template.



Dimensions and illustrations are for reference only and subject to change without notice.



TELE-PRO® DAVIT CRANE

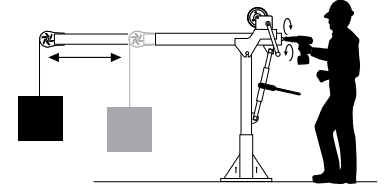
Individually tested and certified at 125% W.L.L

OZTP500DAV, OZTP1200DAV, OZTP2500DAV
[PATENTED]

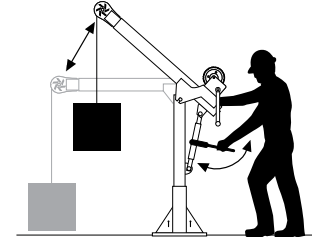


500 lbs., 1200 lbs. and 2500 lbs. Capacity Features

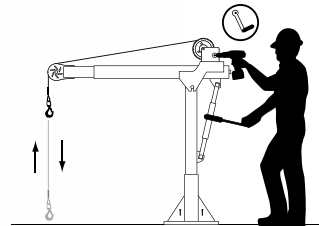
- Telescoping boom adjustment while under load
- Ratchet screw jack adjusts boom under load
- 360 degree rotation of crane on sleeve bearing
- DIN-Rated hand winch equipped standard with a load holding weatherproof Weston brake
- Quick connect winch handle with power drill adapter included
- Smart Latch technology at boom/mast connection
- Corrosion resistant zinc plated finish
- Headache Ball (OZHB10) available and sold separately
- Carrying case (OZRB1) available and sold separately (excludes TP2500)



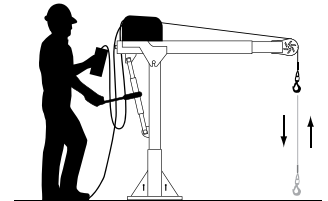
Telescoping boom can be adjusted using the winch handle or drill drive adapter



Ratchet screw jack adjusts boom under load



Detach winch handle for drill option



AC and DC power winches available
See page 26

OZTP1200DAV shown with optional OZPED1-TP pedestal base and OZGAL.25-55B wire rope assembly
Bases and cable assemblies sold separately

WIRE/SYNTHETIC ROPE ASSEMBLIES (sold separately)

All cable assemblies come with swaged ball and swivel hook with latch. Custom cable length available.

Manual winch: 3/16" - 80 ft max. lift length • 1/4" - 55ft max. lift length
AC/DC Electric Winch: 3/16" - 90 ft max. lift length • 1/4" - 45ft max. lift length
See wire & synthetic rope assemblies page 38

Weight

Weight (excluding winch)	Boom	Mast	Net
OZTP500DAV (lbs)	88	23	111
OZTP1200DAV (lbs)	102	36	138
OZTP2500DAV (lbs)	288	62	350

OZTP500DAV LOAD RATINGS – Horizontal Boom Angle

– Based on 3/16 inch wire or synthetic rope

Load Ratings (lbs.)	First Layer	Mid Drum	Full Drum
Boom Position 1 at 36°	500 lbs.	500 lbs.	500 lbs.
Boom Position 2 at 46°	430 lbs.	430 lbs.	430 lbs.
Boom Position 3 at 56°	350 lbs.	350 lbs.	350 lbs.
Boom Position 4 at 66°	300 lbs.	300 lbs.	300 lbs.

OZTP500DAV LOAD RATINGS – 45° Boom Angle

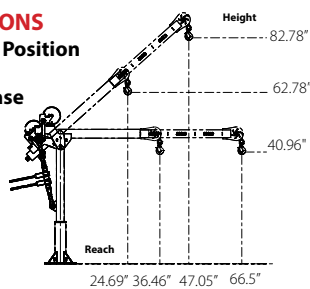
– Based on 3/16 inch wire or synthetic rope

Load Ratings (lbs.)	First Layer	Mid Drum	Full Drum
Boom Position 1 at 23°	500 lbs.	500 lbs.	500 lbs.
Boom Position 2 at 30°	500 lbs.	500 lbs.	500 lbs.
Boom Position 3 at 37°	500 lbs.	500 lbs.	500 lbs.
Boom Position 4 at 44°	450 lbs.	450 lbs.	450 lbs.

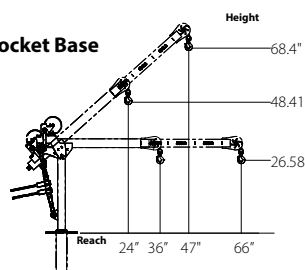
OZTP500DAV DIMENSIONS

Horizontal and 45° Boom Position

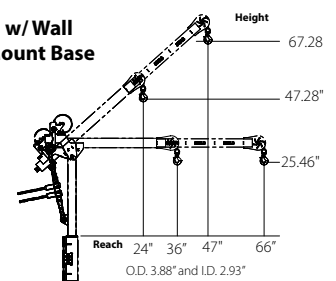
w/ Pedestal Base



w/ Socket Base

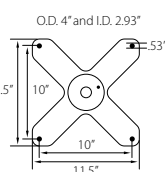
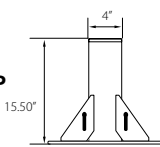


w/ Wall Mount Base

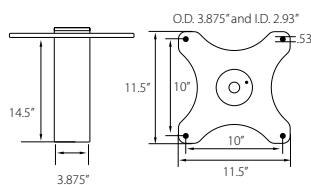


OZTP500DAV BASES (sold separately) Comes with mounting template.

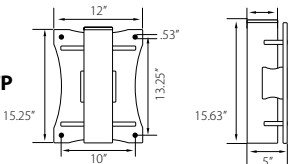
OZPED2-TP



OZSOC2-TP



OZWALL2-TP



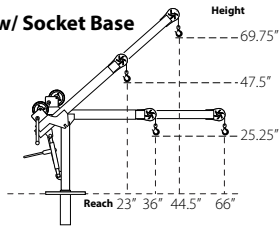
Load ratings shown are based on a manual winch. Load ratings will vary depending on wire or synthetic rope length and diameter. Dimensions and illustrations are for reference only and subject to change without notice.



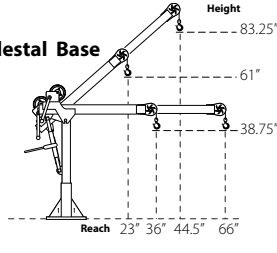
OZTP1200DAV DIMENSIONS

Horizontal and 45° Boom Position

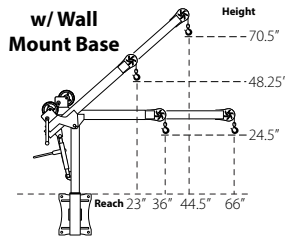
w/ Socket Base



w/ Pedestal Base

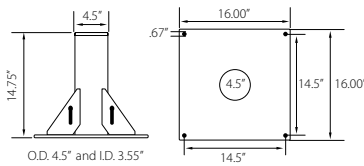


w/ Wall Mount Base

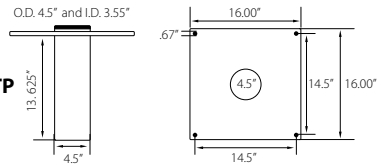


OZTP1200DAV BASES (sold separately) Comes with mounting template.

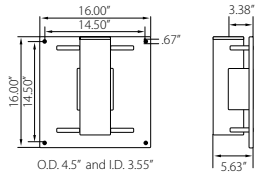
OZPED1-TP



OZSOC1-TP



OZWALL1-TP



OZTP1200DAV LOAD RATINGS – Horizontal Boom Angle

– Based on 3/16 inch wire rope

Load Ratings (lbs.)	First Layer	Mid Drum	Full Drum
Boom Position 1 at 36°	800 lbs.	800 lbs.	550 lbs.
Boom Position 2 at 46°	800 lbs.	800 lbs.	550 lbs.
Boom Position 3 at 56°	750 lbs.	750 lbs.	550 lbs.
Boom Position 4 at 66°	650 lbs.	650 lbs.	550 lbs.

OZTP1200DAV LOAD RATINGS – Horizontal Boom Angle

– Based on 1/4 inch wire rope or 3/16 inch synthetic rope

Load Ratings (lbs.)	First Layer	Mid Drum	Full Drum
Boom Position 1 at 36°	1200 lbs.	875 lbs.	550 lbs.
Boom Position 2 at 46°	900 lbs.	875 lbs.	550 lbs.
Boom Position 3 at 56°	750 lbs.	750 lbs.	550 lbs.
Boom Position 4 at 66°	650 lbs.	650 lbs.	550 lbs.

OZTP1200DAV LOAD RATINGS – 45° Boom Angle

– Based on 3/16 inch wire rope

Load Ratings (lbs.)	First Layer	Mid Drum	Full Drum
Boom Position 1 at 23°	800 lbs.	800 lbs.	550 lbs.
Boom Position 2 at 30.25°	800 lbs.	800 lbs.	550 lbs.
Boom Position 3 at 37.25°	800 lbs.	800 lbs.	550 lbs.
Boom Position 4 at 44.5°	800 lbs.	800 lbs.	550 lbs.

OZTP1200DAV LOAD RATINGS – 45° Boom Angle

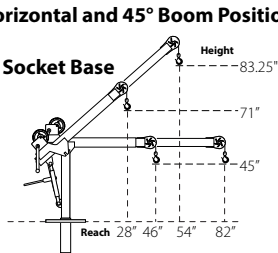
– Based on 1/4 inch wire rope or 3/16 inch synthetic rope

Load Ratings (lbs.)	First Layer	Mid Drum	Full Drum
Boom Position 1 at 23°	1200 lbs.	875 lbs.	550 lbs.
Boom Position 2 at 30.25°	1200 lbs.	875 lbs.	550 lbs.
Boom Position 3 at 37.25°	1100 lbs.	875 lbs.	550 lbs.
Boom Position 4 at 44.5°	950 lbs.	875 lbs.	550 lbs.

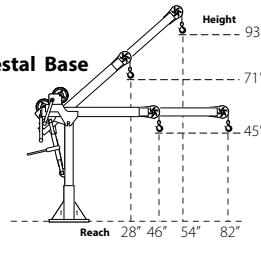
OZTP2500DAV DIMENSIONS

Horizontal and 45° Boom Position

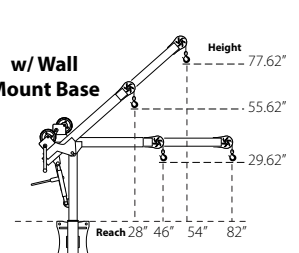
w/ Socket Base



w/ Pedestal Base

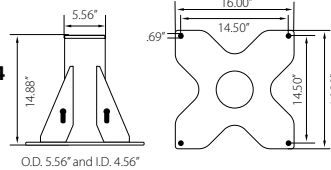


w/ Wall Mount Base

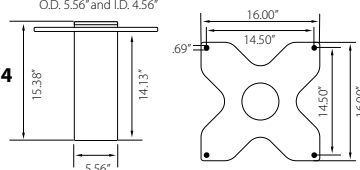


OZTP2500DAV BASES (sold separately) Comes with mounting template.

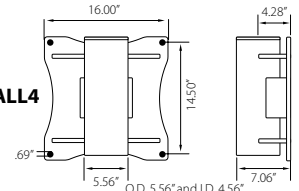
OZPED4



OZSOC4



OZWALL4



OZTP2500DAV LOAD RATINGS – Horizontal Boom Angle

– Based on 1/4 inch synthetic rope

Load Ratings (lbs.)	First Layer	Mid Drum	Full Drum
Boom Position 1 at 46°	2000 lbs.	2000 lbs.	1550 lbs.
Boom Position 2 at 58°	1900 lbs.	1900 lbs.	1550 lbs.
Boom Position 3 at 70°	1600 lbs.	1600 lbs.	1550 lbs.
Boom Position 4 at 82°	1300 lbs.	1300 lbs.	1300 lbs.

OZTP2500DAV LOAD RATINGS – Horizontal Boom Angle

– Based on 3/8" or 5/16" synthetic rope

Load Ratings (lbs.)	First Layer	Mid Drum	Full Drum
Boom Position 1 at 46°	2500 lbs.	2015 lbs.	1550 lbs.
Boom Position 2 at 58°	1900 lbs.	1900 lbs.	1550 lbs.
Boom Position 3 at 70°	1600 lbs.	1600 lbs.	1550 lbs.
Boom Position 4 at 82°	1300 lbs.	1300 lbs.	1300 lbs.

OZTP2500DAV LOAD RATINGS – 45° Boom Angle

– Based on 1/4 inch synthetic rope

Load Ratings (lbs.)	First Layer	Mid Drum	Full Drum
Boom Position 1 at 28°	2000 lbs.	2000 lbs.	1550 lbs.
Boom Position 2 at 37°	2000 lbs.	2000 lbs.	1550 lbs.
Boom Position 3 at 45.5°	2000 lbs.	2000 lbs.	1550 lbs.
Boom Position 4 at 54°	2000 lbs.	2000 lbs.	1550 lbs.

OZTP2500DAV LOAD RATINGS – 45° Boom Angle

– Based on 3/8" or 5/16" synthetic rope

Load Ratings (lbs.)	First Layer	Mid Drum	Full Drum
Boom Position 1 at 28°	2500 lbs.	2015 lbs.	1550 lbs.
Boom Position 2 at 37°	2500 lbs.	2015 lbs.	1550 lbs.
Boom Position 3 at 45.5°	2500 lbs.	2015 lbs.	1550 lbs.
Boom Position 4 at 54°	2000 lbs.	2000 lbs.	1550 lbs.



WARNING
CANCER AND REPRODUCTIVE HARM
 Some products may contain chemicals known to the state of California to cause cancer, or birth defect or reproductive harm.
www.P65Warning.ca.gov

Load ratings shown are based on a manual winch. Load ratings will vary depending on wire or synthetic rope length and diameter. Dimensions and illustrations are for reference only and subject to change without notice.



COMPOZITE® DAVIT CRANE

Individually tested and certified at 125%



OZ1200DAV (PATENTED)



Boom Weight 43lbs. (excluding winch)

Crane weighs only 83 lbs. As Shown

Mast Weight 30lbs.

1200 lbs. Capacity Features

- **Boom/Extension and Mast Made of Advanced Composite Material**
- Light weight, about 40% lighter than steel
- Corrosion resistant
- Metal components mil-spec zinc plated
- External handle helps rotate crane under load
- 4 position boom
- Ratchet screw jack adjusts boom under load giving you infinite range of lift
- 360 degree rotation of crane on sleeve bearing
- No tools required for installation. One person setup.
- DIN-Rated hand winch equipped standard with a load holding weatherproof Weston brake (Cable assembly sold separately)
- Hand winch accepts two different cable termination points: swaged ball fitting or bare end cable
- Quick connect winch handle with power drill adapter included
- Smart Latch technology at boom/mast connection
- Headache Ball (OZHB10) available and sold separately. See page 34
- Carrying case (OZRB1) available and sold separately

OZ1200DAV shown with optional OZPED1 Pedestal base, OZSS.25-55B wire rope assembly, and OZHB10 headache ball
Bases, cable assemblies and headache ball sold separately

WIRE/SYNTHETIC ROPE ASSEMBLIES

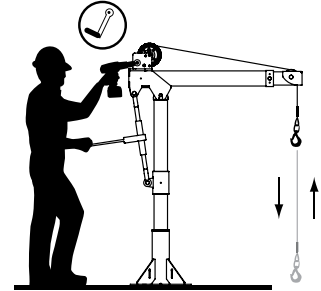
(sold separately) Custom length available.

See wire/synthetic rope assembly options page 39

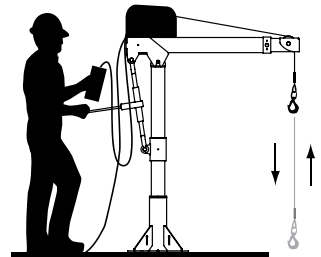
Manual winch: 3/16" - 80 ft max. lift length • 1/4" - 55ft max. lift length

AC/DC Electric Winch: 3/16" - 90 ft max. lift length • 1/4" - 45ft max. lift length

Options for faster lowering and raising



Detach winch handle for drill option



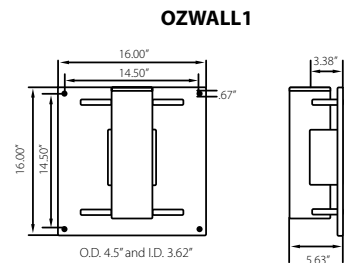
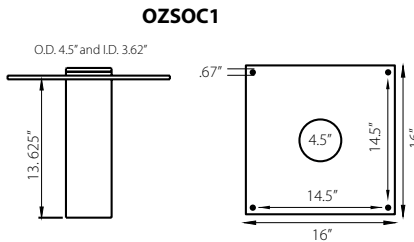
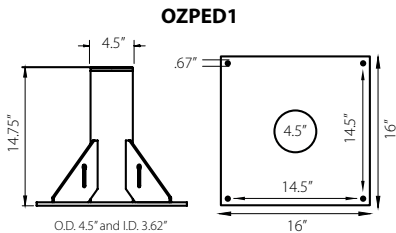
AC and DC power winches available
See page 26

**One person set up.
No tools required for installation.
Lightweight & Portable.**

Weight

Weight (excluding winch)	Boom	Mast	Net
OZ1200DAV (lbs)	43	30	73

OZ1200DAV BASES (sold separately) Comes with mounting template.



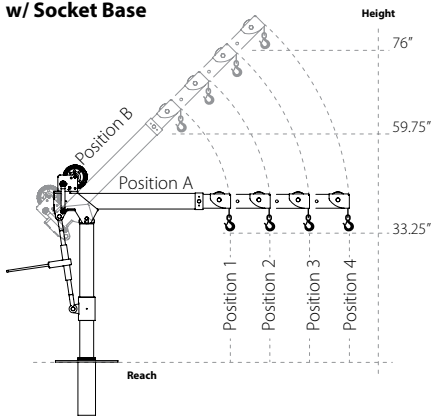
Dimensions and illustrations are for reference only and subject to change without notice.



OZ1200DAV DIMENSIONS Dimensions are for reference only and subject to change without notice.



w/ Socket Base



Boom Horizontal Position (A)

Boom Position 1: Reach 36"

Boom Position 2: Reach 46"

Boom Position 3: Reach 56"

Boom Position 4: Reach 66"

Boom 45° Position (B)

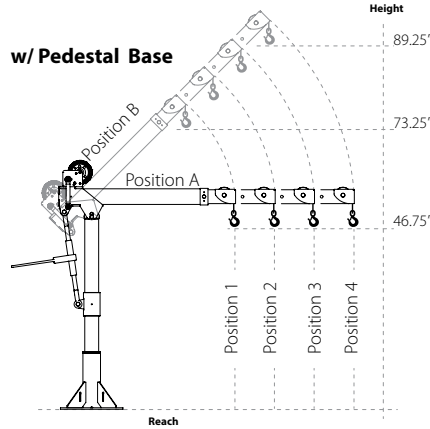
Boom Position 1: Reach 22"

Boom Position 2: Reach 29"

Boom Position 3: Reach 36"

Boom Position 4: Reach 43"

w/ Pedestal Base



Boom Horizontal Position (A)

Boom Position 1: Reach 36"

Boom Position 2: Reach 46"

Boom Position 3: Reach 56"

Boom Position 4: Reach 66"

Boom 45° Position (B)

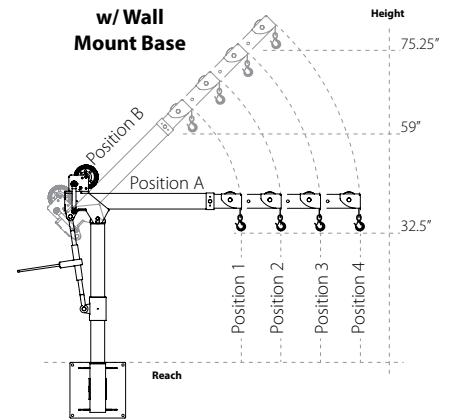
Boom Position 1: Reach 22"

Boom Position 2: Reach 29"

Boom Position 3: Reach 36"

Boom Position 4: Reach 43"

w/ Wall Mount Base



Boom Horizontal Position (A)

Boom Position 1: Reach 36"

Boom Position 2: Reach 46"

Boom Position 3: Reach 56"

Boom Position 4: Reach 66"

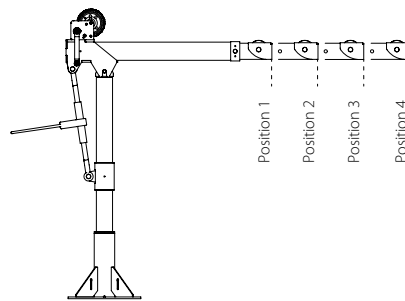
Boom 45° Position (B)

Boom Position 1: Reach 22"

Boom Position 2: Reach 29"

Boom Position 3: Reach 36"

Boom Position 4: Reach 43"



Load Ratings OZ1200DAV

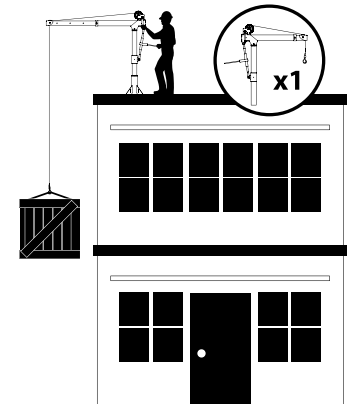
*Table based on 1/4 inch wire rope or 3/16" Synthetic Rope

Load Ratings	First Layer	Mid Drum	Full Drum
Position 1 (lbs)	1200	875	550
Position 2 (lbs)	900	875	550
Position 3 (lbs)	700	700	550
Position 4 (lbs)	400	400	400

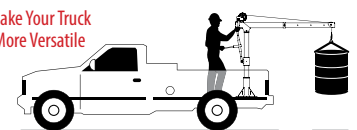
*Table based on 3/16" wire rope

Load Ratings	First Layer	Mid Drum	Full Drum
Position 1 (lbs)	800	800	550
Position 2 (lbs)	800	800	550
Position 3 (lbs)	700	700	550
Position 4 (lbs)	400	400	400

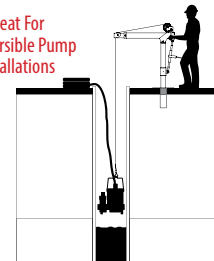
Designed for use in multiple workstations. Buy one crane and multiple bases.



Make Your Truck More Versatile



Great For Submersible Pump Installations



STEEL DAVIT CRANE

Individually tested and certified at 125% W.L.L

OZ500DAV, OZ1000DAV, OZ2500DAV



500 lbs., 1000 lbs. and 2500 lbs. Capacity

Features

- 360 degree rotation
- 4 different boom height adjustments
- 500, 1000, and 2500 lb. ratings available
- Manual Din rated CE winch with brake (Includes power drill adapter)
- Corrosion Resistant Zinc plated finish
- Headache Ball (OZHB10) available and sold separately
- Carrying case (OZRB1) available and sold separately

OZ1000DAV shown with optional OZPED2 Pedestal base and OZGAL.25-55B wire rope assembly
Bases and cable assemblies sold separately

WIRE/SYNTHETIC ROPE ASSEMBLIES

(sold separately) Custom length available.

See wire/synthetic rope assembly options page 39

OZ500DAV & OZ1000DAV

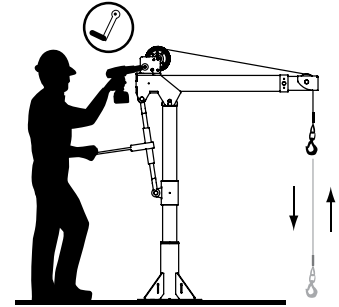
Manual winch: 3/16" - 80 ft max. lift length • 1/4" - 55ft max. lift length

AC/DC Electric Winch: 3/16" - 90 ft max. lift length • 1/4" - 45ft max. lift length

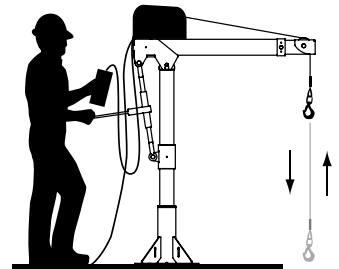
OZ2500DAV

Manual winch: 1/4" Synthetic - 75 ft max. lift length • 5/16" Synthetic - 55ft max. lift length • 3/8" Synthetic - 45ft max. lift length

Options for faster lowering and raising

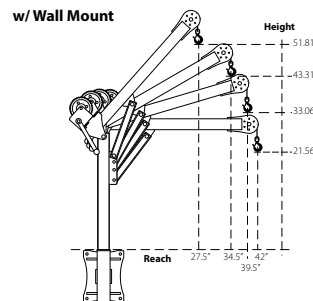
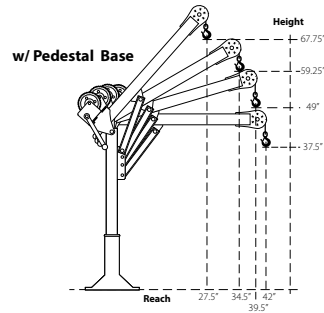
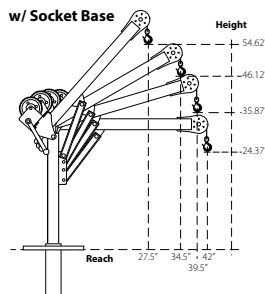


Detach winch handle for drill option



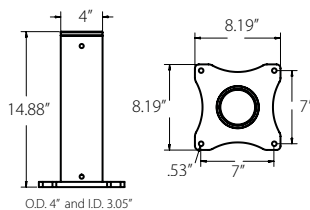
AC and DC power winches available
See page 26

OZ500DAV DIMENSIONS

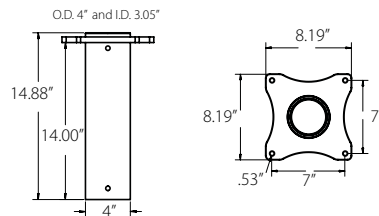


OZ500DAV BASES (sold separately) Comes with mounting template.

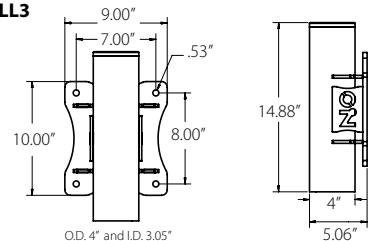
OZPED3



OZSOC3



OZWALL3



Load Ratings

*OZ500DAV based on 3/16" or 5/16" wire & synthetic rope

Layer	Rating
First Layer	500 lbs
Mid Drum	500 lbs
Full Drum	500 lbs

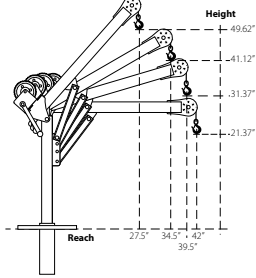


Dimensions and illustrations are for reference only and subject to change without notice.

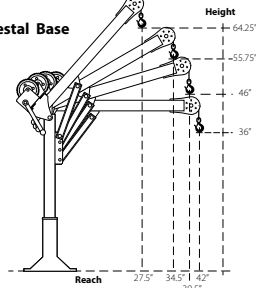


OZ1000DAV DIMENSIONS

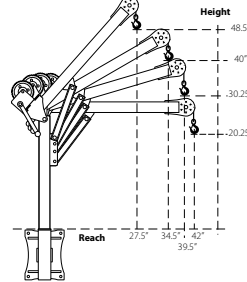
w/ Socket Base



w/ Pedestal Base



w/ Wall Mount



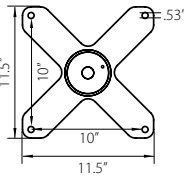
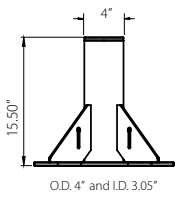
Load Ratings

*OZ1000DAV based on 1/4" wire & 3/16" synthetic rope

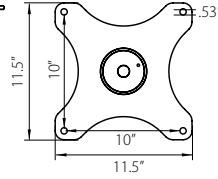
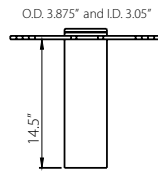
First Layer	1000 lbs
Mid Drum	875 lbs
Full Drum	550 lbs

OZ1000DAV BASES (sold separately) *Base inside diameter 3.0" • Comes with mounting template.

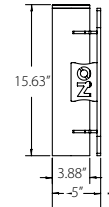
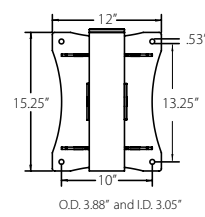
OZPED2



OZSOC2

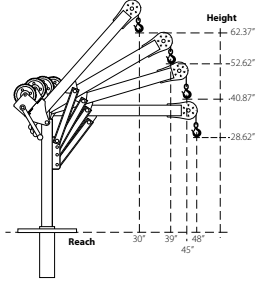


OZWALL2

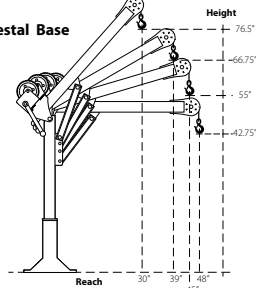


OZ2500DAV DIMENSIONS

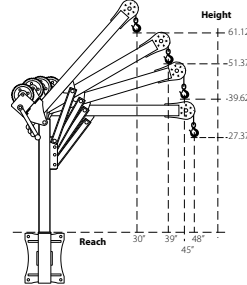
w/ Socket Base



w/ Pedestal Base



w/ Wall Mount



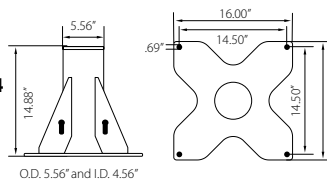
Load Ratings

*OZ2500DAV based on 3/8" synthetic rope

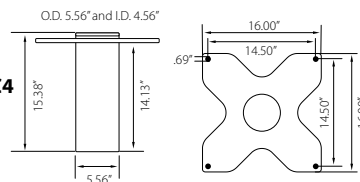
First Layer	2500 lbs
Mid Drum	2000 lbs
Full Drum	1550 lbs

OZ2500DAV BASES (sold separately) *Base inside diameter 4.5" • Comes with mounting template.

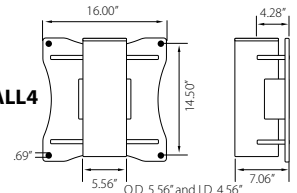
OZPED4



OZSOC4



OZWALL4



Dimensions and illustrations are for reference only and subject to change without notice.



COMPOZITE ELITE® DAVIT CRANE

Individually tested and certified at 125% W.L.L

OZCF1200DAV



Options for faster lowering and raising

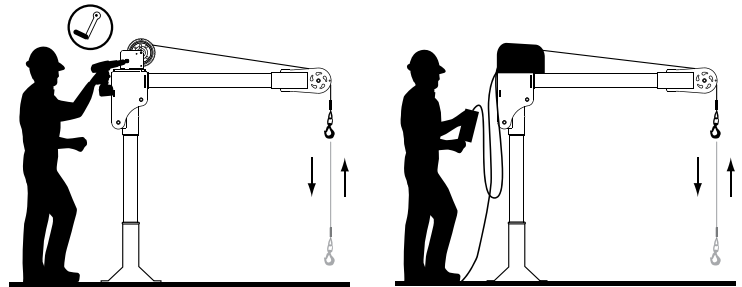


Ultra lightweight & portable

1200 lbs. Capacity

Features

- Carbon fiber / High-strength aluminum construction
- Corrosion Resistant Finish
- Truly Portable Design
- One-Person Assembly (No Tools Needed)
- Manual Din rated CE winch with brake (Includes power drill adaptor)
- Synthetic Rope Assembly Available
- Headache Ball (OZHB10) available and sold separately
- Carrying case (OZRB1) available and sold separately



Manual winch w/drill drive adaptor

AC and DC power winches available
See page 26

Weight

Weight (excluding winch)	Boom	Mast	Net
OZCF1200DAV (lbs)	18	13	31

Load Ratings (lbs.)

Based on 1/4" wire or 3/16 synthetic rope

	First Layer	Mid Drum	Full Drum
Position 1 (0°)	500	500	500
Position 2 (+22.5°)	700	700	550
Position 3 (+45°)	1200	875	550

WIRE/SYNTHETIC ROPE ASSEMBLIES

(sold separately) Custom length available.

See wire/synthetic rope assembly options page 38

Manual winch: 3/16" - 80 ft max. lift length • 1/4" - 55ft max. lift length

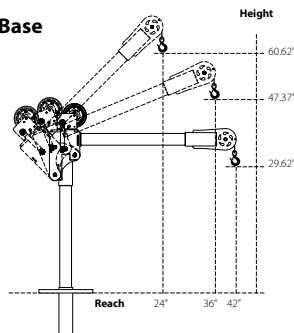
AC/DC Electric Winch: 3/16" - 90 ft max. lift length • 1/4" - 45ft max. lift length

See wire & synthetic rope assembly options page 38

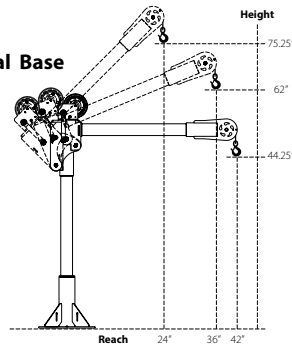
OZ1000DAV shown with optional OZPED2 Pedestal base and OZGAL.25-55B wire rope assembly
Bases and cable assemblies sold separately

OZCF1200DAV DIMENSIONS

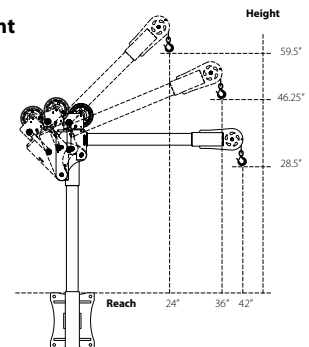
w/ Socket Base



w/ Pedestal Base

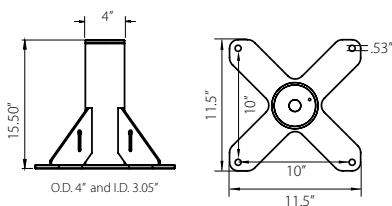


w/ Wall Mount

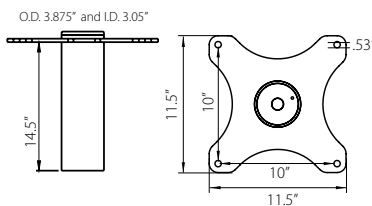


OZCF1200DAV BASES (sold separately) Comes with mounting template.

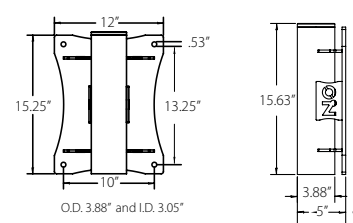
OZPED2



OZSOC2



OZWALL2



Dimensions and illustrations are for reference only and subject to change without notice.



WHEEL BASE

For all OZ Lifting Products davit cranes up to 1200 lb. capacity



OZWB3 shown with **OZXR500**
OZGAL.19-80B galvanized cable assembly
OZHB10 10lbs. headache ball
Davit crane, headache ball, and cable assemblies sold separately.
Locking collar included with applicable wheel base kits.

Features

- Industrial strength steel construction with a durable powder-coat finish
- Patent-pending floor-anchoring system allows the davit to rotate while under load (when base is not anchored the davit must remain in a forward position when lifting)
- Durable polyurethane-tread indoor/outdoor wheels with rear swivel casters, ensuring smooth mobility and adaptability to various workspaces. Rear casters feature a lock brake for enhanced safety and stability when needed.
- Forklift pockets (for transporting only)

Includes

Floor-Anchor Mounting Bolt Kit: Enhance the stability and safety of your OZ Wheel Base with optional floor-anchoring bolts, ensuring secure attachment to the ground for added peace of mind during operation. Includes four (4) 12" zinc-plated hex head bolts and washers. *Concrete anchor not included.*

Davit Crane Locking Collar: This component effectively prevents the crane boom from rotating excessively, eliminating the risk of tipping hazards and ensuring a secure lifting environment. *Included with models OZWB1, OZWB1-TP, OZWB2, OZWB2-TP, and OZWB3.*

Toolbox Storage Tube: Keep your tools and Wheel Base accessories organized with this durable and versatile toolbox storage tube, molded from high-density polypropylene and featuring a secure screw-cap and latch closure for secure storage. Zip ties are included for convenient, versatile mounting.

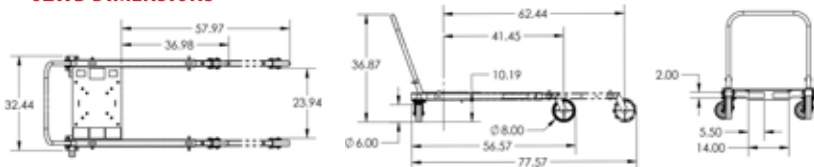
**Davit crane sold separately*

- OZWB** Wheel Base for OZ Lifting Products davit cranes up to 1200 lbs. capacity (pedestal base and locking collar not included)
- OZWB1** Wheel Base for use with OZ1200DAV davit crane (pedestal base and locking collar included)
- OZWB1-TP** Wheel Base for use with OZTP1200DAV, OZA1000DAV, OZXR1000DAV davit cranes (pedestal base and locking collar included)
- OZWB2** Wheel Base for use with OZ1000DAV and OZCF1200DAV davit cranes (pedestal base and locking collar included)
- OZWB2-TP** Wheel Base for use with OZTP500DAV davit crane (pedestal base and locking collar included)
- OZWB3** Wheel Base for use with OZ500DAV, OZA500DAV and OZXR500DAV davit cranes (pedestal base and locking collar included)

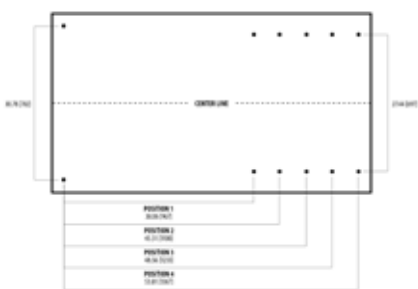
Patent-Pending Floor-Anchoring System with Locking Collar



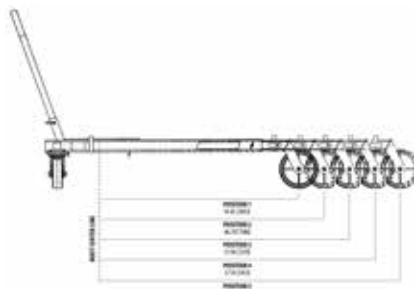
OZWB DIMENSIONS



ADJUSTABLE LEG EXTENSIONS



FLOOR-ANCHORING SYSTEM



OZWB DAVIT CRANE REACH DIAMETER

Sections are representative of hook reach in 360-degrees

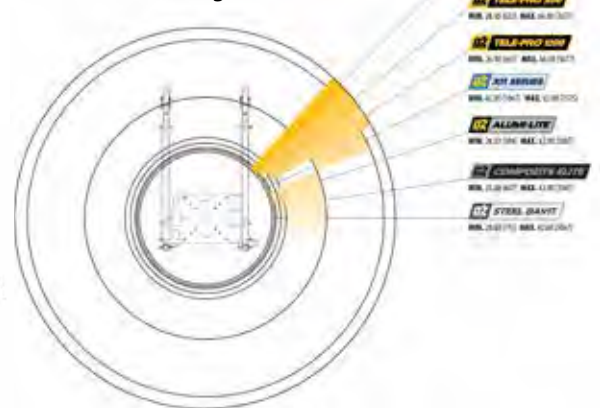


Diagram dimensional values are provided in inches. Bracketed values [] within diagram represent equivalent measurements in millimeters for informational purposes only. Dimensions and illustrations are for reference only and subject to change without notice.





APPLICATION DATA SHEET | DAVIT CRANES

P.O. Box 845 Winona, MN 55987 • Tf: (800) 749-1064 • Ph: (507) 474-6250 • Fax: (507) 452-5217 • sales@ozliftingproducts.com

Company Name: _____ Contact Name: _____

Email Address: _____

Phone: _____ Fax: _____

Address: _____ City: _____ State: _____ Zip Code: _____

1. JOB DESCRIPTION:

2. WEIGHT OF LOAD:

3. LENGTH OF LIFT:

4. DAVIT ARM REACH REQUIREMENTS:

5. WHAT CAPACITY DO YOU NEED AND AT WHAT REACH?

6. HEIGHT REQUIREMENTS:

7. WINCH REQUIREMENTS:

Hand 115 Volt AC 12 Volt DC

8. WIRE/SYNTHETIC ROPE MATERIAL:

Galvanized Stainless Steel Synthetic

9. HEADACHEB ALL REQUIRED:

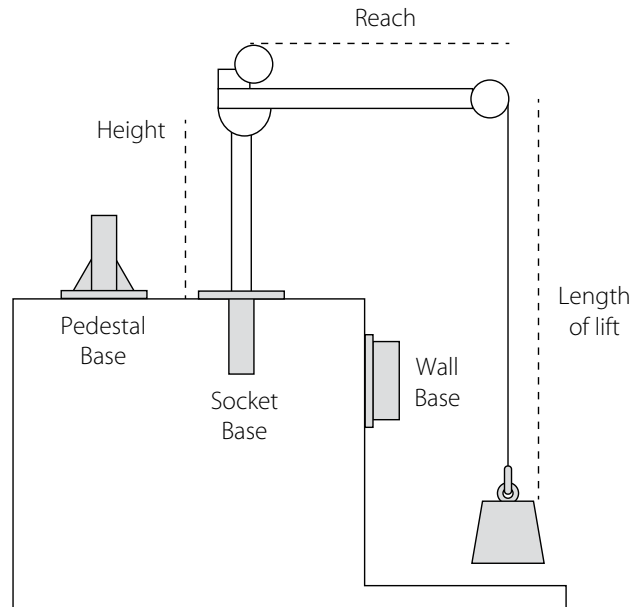
YES NO

10. BASE REQUIREMENTS:

Pedestal Socket Wall Mount
 Base Extension Wheel Base

11. WHERE IS THE DAVIT CRANE BEING USED?

12. HOW DID YOU HEAR ABOUT US?



Purchaser is responsible for proper base installation. Approval from a civil or structural engineer is recommended for base installation.

OZ Lifting Products davit cranes are thoroughly inspected and tested using a predetermined load. Test certificate included. Base, wire/synthetic rope assembly, and headache ball sold separately.

Load ratings of davit cranes may vary depending on position of boom, wire rope length and winch used.

OZ Lifting Products equipment is not for lifting people or lifting objects over people.

WIRE/SYNTHETIC ROPE ASSEMBLIES

Steel Wire Rope (For manual winch)

OZGAL.19-80B	3/16" x 80'	Galvanized cable assembly
OZSS.19-80B	3/16" x 80'	Stainless steel cable assembly
OZGAL.25-55B	1/4" x 55'	Galvanized cable assembly
OZSS.25-55B	1/4" x 55'	Stainless steel cable assembly

Above cable assemblies come with swaged ball and swivel hook with latch.

Custom cable length available.

3/16" - 80 ft. max. length • 1/4" - 55 ft. max. length

Steel Wire Rope (For manual and power winch)

OZGAL.19-90	3/16" x 90'	Galvanized cable assembly
OZSS.19-90	3/16" x 90'	Stainless Steel cable assembly
OZGAL.25-45	1/4" x 45'	Galvanized cable assembly
OZSS.25-45	1/4" x 45'	Stainless Steel cable assembly

All cable assemblies come with a swivel hook with latch.

Custom cable length available.

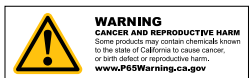
3/16" - 90 ft. max. length • 1/4" - 45 ft. max. length



Synthetic Rope

OZSR.19-15	3/16" x 15'	Synthetic Rope
OZSR.19-50	3/16" x 50'	Synthetic Rope
OZSR.19-90	3/16" x 90'	Synthetic Rope
OZSR.25-50	1/4" x 50'	Synthetic Rope
OZSR.25-75	1/4" x 75'	Synthetic Rope
OZSR.31-45	5/16" x 45'	Synthetic Rope

All synthetic rope assemblies come with looped ends and pre-installed swivel hook with latch





HEADACHE BALL

OZHB10

Keeps your wire rope tensioned even when lowering the hook with no load. Compatible with 3/16" and 1/4" wire rope assemblies. Headache balls sold separately from all davit cranes and wire rope assemblies.



DAVIT CRANE COVER

OZDAV-C1

Protect your davit crane from the elements with this waterproof cover. Compatible with all OZ Lifting Products davit cranes 1200 lbs. capacity or less excluding the XR series.



DAVIT CRANE ROLLER BAG

OZRB1

Store and transport your davit crane in this davit crane roller bag. Fits OZ Lifting Products davit crane models OZ500DAV, OZ1000DAV, OZ1200DAV, OZCF1200DAV, OZA500DAV, & OZA1000DAV.





800.749.1064
ozliftingproducts.com



Corporate Office:

OZ Lifting Products
5455 W 6th St.
Winona, MN 55987
Tf: (800) 749-1064

Sales/Tech Support:

Ph: (507) 474-6250
Tf: (800) 749-1064
Fx: (507) 452-5217
sales@ozliftingproducts.com

Email Orders to:

sales@ozliftingproducts.com

Payment Remit to:

OZ Lifting Products
P.O. Box 845
Winona, MN 55987

