

ALUMI-LITE® DAVIT CRANE

Individually tested and certified at 125% W.L.L



OZA500DAV, OZA1000DAV

NEW!

**Ultra
lightweight
& portable**



**500 lb. and
1,000 lb. Capacity**

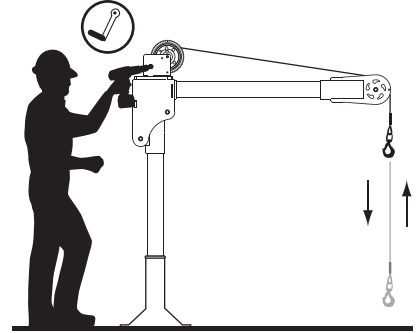
Features

- Lightweight aerospace grade aluminum construction
- 360 degree rotation
- 3 different boom height adjustments
- Durable powder coat finish
- Truly Portable Design
- One-Person Assembly (No Tools Needed)
- Manual Din rated CE winch with brake (Includes power drill adapter)
- AC & DC winch options

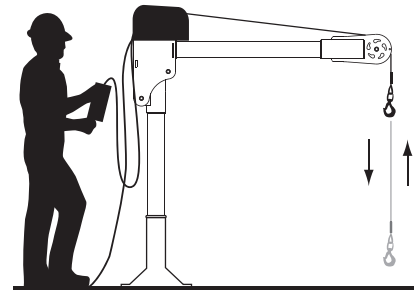
OZA500DAV shown with optional
OZPED3 Pedestal base and
OZGAL.19-50B galvanized wire rope assembly
and OZHB10 headache ball
Bases, cable assemblies and headache ball sold separately



Options for faster lowering and raising

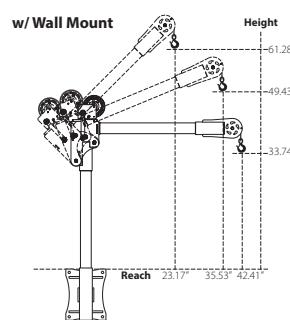
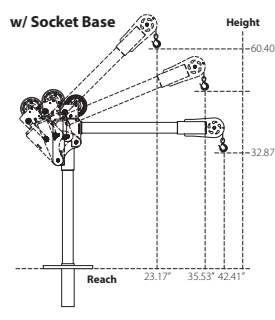
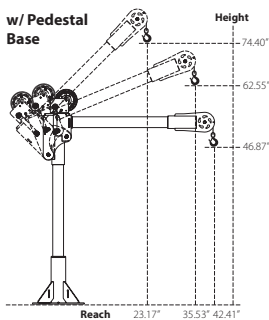


Manual winch w/drill drive adapter



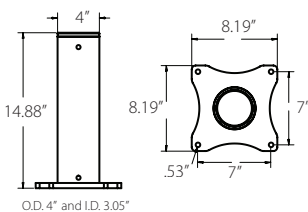
AC and DC power winches available
See page 26

OZA500DAV DIMENSIONS

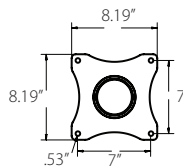
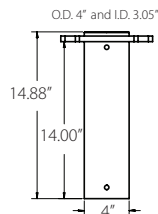


OZA500DAV BASES (sold separately) Comes with mounting template.

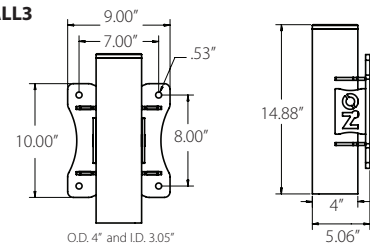
OZPED3



OZSOC3



OZWALL3



Weight

Weight (excluding winch)	Boom	Mast	Net
OZA500DAV (lb.)	12	12	24
OZA1000DAV (lb.)	25	22	47

WIRE/SYNTHETIC ROPE ASSEMBLIES (sold separately) Custom length available.

Manual winch: 3/16" - 80 ft max. lift length
AC/DC Electric Winch: 3/16" - 90 ft max. lift length
See wire & synthetic rope assembly options page 39

OZA500DAV Load Ratings (lb.)

Based on 3/16" wire rope

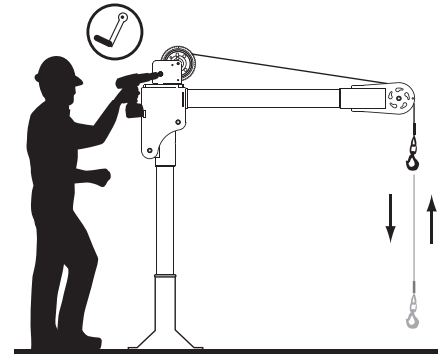
	First Layer	Mid Drum	Full Drum
Position 1 (0°)	275	275	275
Position 2 (+22.5°)	330	330	330
Position 3 (+45°)	500	500	500

The listed load rating reflects the davit crane boom position as well as manual winch operation, assuming average lifting effort. Handle effort will increase as the cable is spooled onto the drum. Load rating and ease of lifting depend on the boom position, specific winch style, and the user's lifting effort. Dimensions and illustrations are for reference only and subject to change without notice.

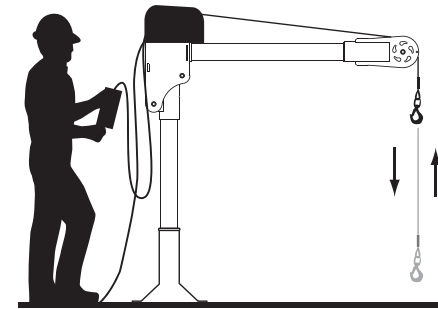




Options for faster lowering and raising



Manual winch w/drill drive adapter



AC and DC power winches available
See page 26

WIRE/SYNTHETIC ROPE ASSEMBLIES

(sold separately) Custom length available.

Manual winch: 1/4" - 55ft max. lift length

AC/DC Electric Winch: 1/4" - 45ft max. lift length

See wire & synthetic rope assembly options page 38

OZA1000DAV Load Ratings (lb.)

Based on 1/4" wire or 3/16" synthetic rope

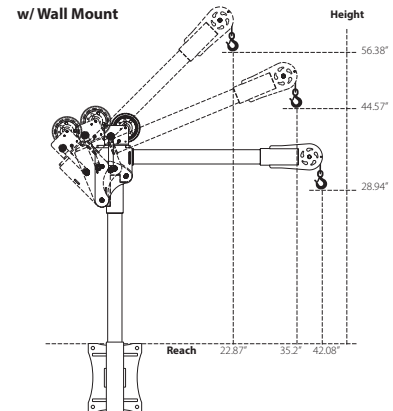
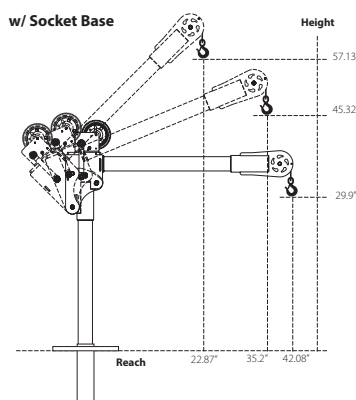
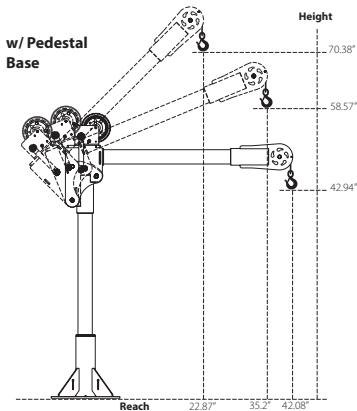
	1st Layer	Mid Drum	Full Drum
Position 1 (0°)	550	550	550
Position 2 (+22.5°)	650	650	550
Position 3 (+45°)	1000	875	550

OZA1000DAV-ACW shown with optional
OZPED1-TP Pedestal base and
OZSR.19-50 synthetic rope assembly

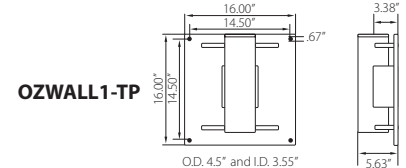
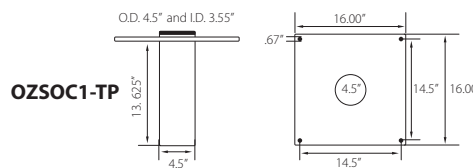
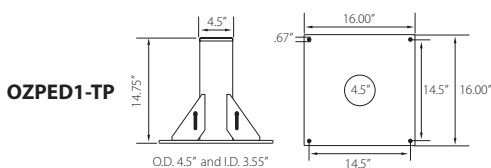
Bases, cable assemblies and headache ball sold separately



OZA1000DAV DIMENSIONS



OZA1000DAV BASES (sold separately) Comes with mounting template.



The listed load rating reflects the davit crane boom position as well as manual winch operation, assuming average lifting effort. Handle effort will increase as the cable is spooled onto the drum. Load rating and ease of lifting depend on the boom position, specific winch style, and the user's lifting effort. Dimensions and illustrations are for reference only and subject to change without notice.



**WARNING
CANCERS AND REPRODUCTIVE HARM**
Some products may contain chemicals known
to the state of California to cause cancer,
or birth defect or reproductive harm.
www.P65Warning.ca.gov



WHEEL BASE

For all OZ Lifting Products davit cranes up to 1200 lb. capacity



OZWB3 shown with OZXR500
OZGAL.19-80B galvanized cable assembly
OZHB10 10lb. headache ball
Davit crane, headache ball, and cable assemblies sold separately.
Locking collar included with applicable wheel base kits.

Features

- Industrial strength steel construction with a durable powder-coat finish
- Patent-pending floor-anchoring system allows the davit to rotate while under load (when base is not anchored the davit must remain in a forward position when lifting)
- Durable polyurethane-tread indoor/outdoor wheels with rear swivel casters, ensuring smooth mobility and adaptability to various workspaces. Rear casters feature a lock brake for enhanced safety and stability when needed.
- Forklift pockets (for transporting only)

Includes

Floor-Anchor Mounting Bolt Kit: Enhance the stability and safety of your OZ Wheel Base with optional floor-anchoring bolts, ensuring secure attachment to the ground for added peace of mind during operation. Includes four (4) 12" zinc-plated hex head bolts and washers. *Concrete anchor not included.*

Davit Crane Locking Collar: This component effectively prevents the crane boom from rotating excessively, eliminating the risk of tipping hazards and ensuring a secure lifting environment. *Included with models OZWB1, OZWB1-TP, OZWB2, OZWB2-TP, and OZWB3.*

Toolbox Storage Tube: Keep your tools and Wheel Base accessories organized with this durable and versatile toolbox storage tube, molded from high-density polypropylene and featuring a secure screw-cap and latch closure for secure storage. Zip ties are included for convenient, versatile mounting.

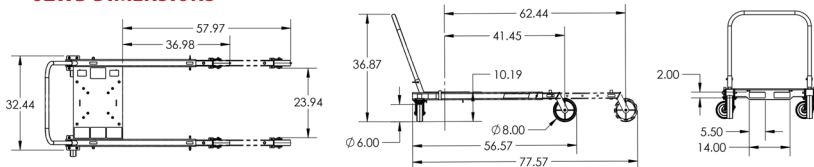
**Davit crane sold separately*

- OZWB** Wheel Base for OZ Lifting Products davit cranes up to 1200 lb. capacity (pedestal base and locking collar not included)
- OZWB1** Wheel Base for use with OZ1200DAV davit crane (pedestal base and locking collar included)
- OZWB1-TP** Wheel Base for use with OZTP1200DAV, OZA1000DAV, OZXR1000DAV davit cranes (pedestal base and locking collar included)
- OZWB2** Wheel Base for use with OZ1000DAV and OZCF1200DAV davit cranes (pedestal base and locking collar included)
- OZWB2-TP** Wheel Base for use with OZTP500DAV davit crane (pedestal base and locking collar included)
- OZWB3** Wheel Base for use with OZ500DAV, OZA500DAV and OZXR500DAV davit cranes (pedestal base and locking collar included)

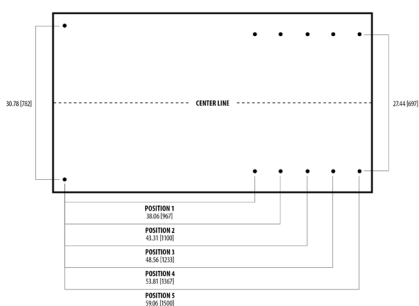
Patent-Pending Floor-Anchoring System with Locking Collar



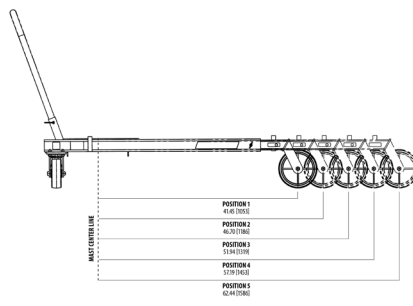
OZWB DIMENSIONS



ADJUSTABLE LEG EXTENSIONS



FLOOR-ANCHORING SYSTEM



OZWB DAVIT CRANE REACH DIAMETER

Sections are representative of hook reach in 360-degrees

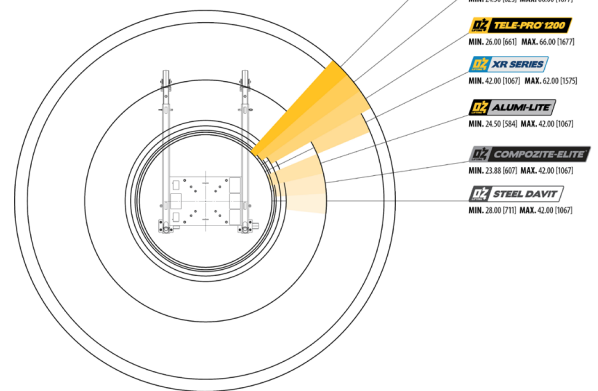


Diagram dimensional values are provided in inches. Bracketed values [] within diagram represent equivalent measurements in millimeters for informational purposes only. Dimensions and illustrations are for reference only and subject to change without notice.



WIRE/SYNTHETIC ROPE ASSEMBLIES

Steel Wire Rope (For manual winch)

OZGAL.19-80B	3/16" x 80'	Galvanized cable assembly
OZSS.19-80B	3/16" x 80'	Stainless steel cable assembly
OZGAL.25-55B	1/4" x 55'	Galvanized cable assembly
OZSS.25-55B	1/4" x 55'	Stainless steel cable assembly

Above cable assemblies come with swaged ball and swivel hook with latch.

Custom cable length available.

3/16" - 80 ft. max. length • 1/4" - 55 ft. max. length

Steel Wire Rope (For manual and power winch)

OZGAL.19-90	3/16" x 90'	Galvanized cable assembly
OZSS.19-90	3/16" x 90'	Stainless steel cable assembly
OZGAL.25-45	1/4" x 45'	Galvanized cable assembly
OZSS.25-45	1/4" x 45'	Stainless Steel cable assembly

All cable assemblies come with a swivel hook with latch.

Custom cable length available.

3/16" - 90 ft. max. length • 1/4" - 45 ft. max. length

Synthetic Rope

OZSR.19-15	3/16" x 15'	Synthetic Rope
OZSR.19-50	3/16" x 50'	Synthetic Rope
OZSR.19-90	3/16" x 90'	Synthetic Rope
OZSR.25-50	1/4" x 50'	Synthetic Rope
OZSR.25-75	1/4" x 75'	Synthetic Rope
OZSR.31-45	5/16" x 45'	Synthetic Rope

All synthetic rope assemblies come with looped ends and pre-installed swivel hook with latch



HEADACHE BALL

OZHB10

Keeps your wire rope tensioned even when lowering the hook with no load. Compatible with 3/16" and 1/4" wire rope assemblies. Headache balls sold separately from all davit cranes and wire rope assemblies.



WIRE ROPE HOLDER

OZWRH

Secure your davit crane's wire rope with our durable and easy-to-use wire rope holder. For use with 3/16" and 1/4" ball end wire rope.



WINCH COVER

OZECW



This weatherproof winch cover provides additional protection, keeping your electric winch clean, dry, and looking new. It is specially treated for cold weather use and is made from strong, water-resistant, black vinyl, featuring drawstring for quick closure and cable opening for easy installation. Made in the USA.





DAVIT CRANE COVER

OZDAV-C1

Protect your davit crane from the elements with this waterproof cover. Compatible with all OZ Lifting Products davit cranes 1200 lb. capacity or less excluding the XR series.



DAVIT CRANE MAST EXTENSION

OZEXT1-COMP, OZEXT1-TP, OZEXT2, OZEXT2-TP

Increase the height of your davit crane with our durable and easy-to-install mast extender. This extender is made of high-strength steel and is available in a variety of lengths to fit most davit cranes. Add 24 inches of additional height to your davit crane with this simple and effective solution.



DAVIT CRANE LOCKING COLLAR

TP500-LC, TP1200-LC, SCF-LC

Keep your davit crane secure and prevent accidental rotation with our durable and easy-to-use locking collar.



DAVIT CRANE ROLLER BAG

OZRB1

The OZ Lifting Products davit crane roller bag is a durable and convenient way to transport and protect your davit crane. Made of heavy-duty nylon, the bag features a padded interior and reinforced straps to keep your crane safe from scratches and dings. Plus, the convenient roller wheels make it easy to move your crane around. The bag also has a large capacity, so you can easily fit all of your crane's accessories inside.

