

BEAM CLAMP

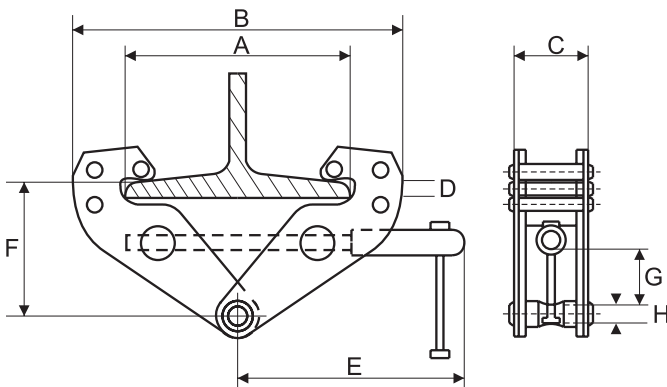
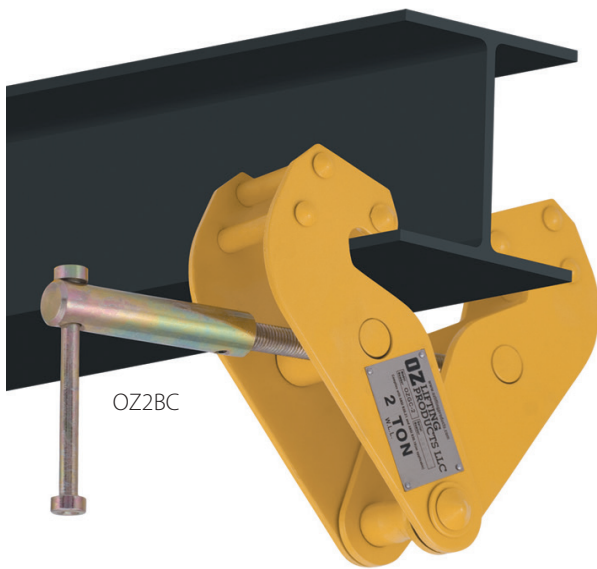


Features

- Robust, all-steel construction
- Super-quick adjustment to fit most I-Beams (see measurements below)
- Durable baked-enamel paint protection
- Stainless steel ID tag
- Individual test certificate and serial number

Standards - CE, ASME/ANSI B30.16

| | OZ1BC | OZ2BC | OZ3BC | OZ5BC | OZ10BC |
|------------------|------------|------------|------------|------------|------------|
| Capacity (tons) | 1 | 2 | 3 | 5 | 10 |
| A | 2.95-9.05 | 2.95-9.05 | 3.15-12.60 | 3.54-12.60 | 3.54-12.60 |
| B | 14.96 max. | 14.96 max. | 18.50 max. | 19.68 max. | 20.47 max. |
| C | 2.51 | 2.91 | 3.94 | 4.41 | 4.72 |
| Dimensions (in) | | | | | |
| D | .90 | .90 | 1.57 | 1.57 | 1.60 |
| E | 9.13 | 9.13 | 10.63 | 10.90 | 11.22 |
| F | 3.54-5.90 | 3.54-5.90 | 5.71-8.66 | 5.71-8.66 | 6.30-9.05 |
| G | 1.02 | 1.02 | 2.63 | 3.50 | 3.87 |
| H | .75 | .87 | .96 | 1.30 | 1.60 |
| Net Weight (lb.) | 9 | 11 | 21 | 25 | 35 |



PUSH BEAM TROLLEY

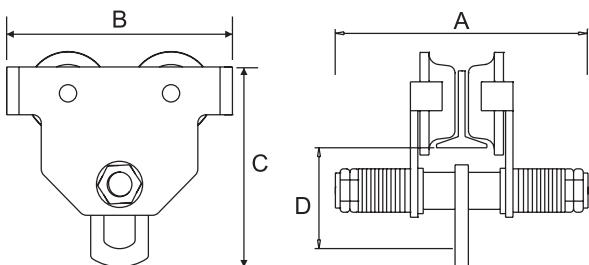


Features

- Lightweight robust construction
- Fits most I, S, and W-Beams
- Durable baked enamel paint protection
- Precision ball bearing trolley wheels
- Anti-drop plate
- Stainless steel ID tag
- Individual test certificate and serial number

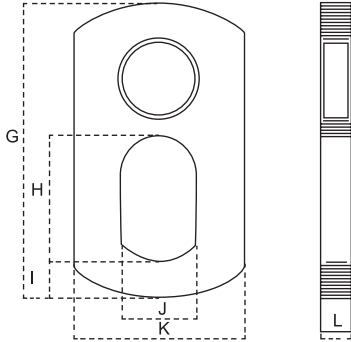
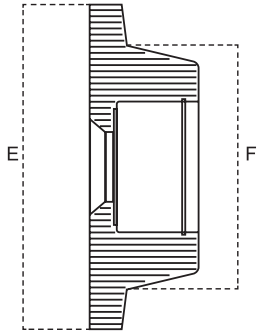
Standards - CE, ASME /ANSI B30.17

| | OZ025PBT | OZ05PBT | OZ1PBT | OZ2PBT | OZ3PBT | OZ5PBT | OZ10PBT |
|------------------------------|-----------|-----------|-----------|------------|------------|------------|------------|
| Capacity (tons) | .25 | .5 | 1 | 2 | 3 | 5 | 10 |
| Adjustable Flange Width (in) | 2.00-6.00 | 2.52-8.00 | 2.52-8.00 | 3.46-12.00 | 4.33-12.00 | 4.49-12.00 | 4.95-12.00 |
| Max Flange Thickness (in) | 0.82 | 1.14 | 1.50 | 1.18 | 1.36 | 1.44 | 1.97 |
| Product Dimensions (in) | | | | | | | |
| A | 10.00 | 12.25 | 12.75 | 17.0 | 17.72 | 18.90 | 17.56 |
| B | 7.68 | 8.35 | 9.45 | 11.53 | 13.78 | 15.04 | 16.75 |
| C | 6.77 | 7.67 | 8.74 | 10.53 | 12.68 | 14.65 | 16.00 |
| D | 4.02 | 4.33 | 4.90 | 5.79 | 6.83 | 7.87 | 7.5 |
| Minimum Radius Curve (ft) | 3.25 | 3.28 | 3.28 | 3.28 | 4.59 | 3.28 | 8.20 |
| Net Weight (lb.) | 7.7 | 12 | 23 | 40 | 66 | 100 | 192 |
| Bail Pins | 1 | 1 | 1 | 1 | 1 | 1 | 2 |



See wheel and bail dimensions on next page
 Dimensions and illustrations are for reference only and subject to change without notice.

PUSH BEAM TROLLEY WHEELS & BAIL DIMENSIONS



USA

| | OZ05PBTA | OZ1PBTA | OZ2PBTA | OZ3PBTA |
|--------|----------|---------|---------|---------|
| E (in) | 3.25 | 4.00 | 4.5 | 5.75 |
| F (in) | 2.38 | 3.00 | 3.25 | 4.38 |
| G (in) | 4.38 | 5.00 | 6.25 | 6.88 |
| H (in) | 1.50 | 1.88 | 2.25 | 2.5 |
| I (in) | 0.63 | 0.63 | 0.88 | 1.0 |
| J (in) | 1.00 | 1.25 | 1.38 | 1.5 |
| K (in) | 2.25 | 2.50 | 3.13 | 3.5 |
| L (in) | 0.38 | 0.50 | 0.50 | 0.63 |

Import

| | OZ025PBT | OZ05PBT | OZ1PBT | OZ2PBT | OZ3PBT | OZ5PBT | OZ10PBT |
|--------|----------|---------|--------|--------|--------|--------|---------|
| E (in) | 2.56 | 2.83 | 3.50 | 4.53 | 5.51 | 6.06 | 6.91 |
| F (in) | 1.77 | 2.05 | 2.48 | 3.35 | 4.13 | 4.60 | 5.24 |
| G (in) | 3.27 | 4.06 | 4.21 | 5.43 | 6.50 | 7.87 | 7.68 |
| H (in) | 1.18 | 1.52 | 1.52 | 2.24 | 2.68 | 3.15 | 4.49 |
| I (in) | 0.59 | 0.75 | 0.75 | 0.83 | 1.02 | 1.44 | 1.91 |
| J (in) | 0.94 | 1.26 | 1.26 | 1.34 | 1.65 | 1.89 | 3.35 |
| K (in) | 1.65 | 2.24 | 2.24 | 3.15 | 3.74 | 4.33 | 11.22 |
| L (in) | 0.24 | 0.31 | 0.39 | 0.47 | 0.16 | 0.71 | 0.79 |



WARNING
CANCER AND REPRODUCTIVE HARM
 Some products may contain chemicals known
 to the State of California to cause cancer,
 or birth defect or reproductive harm.
www.P65Warning.ca.gov

Dimensions and illustrations are for reference only and subject to change without notice.

