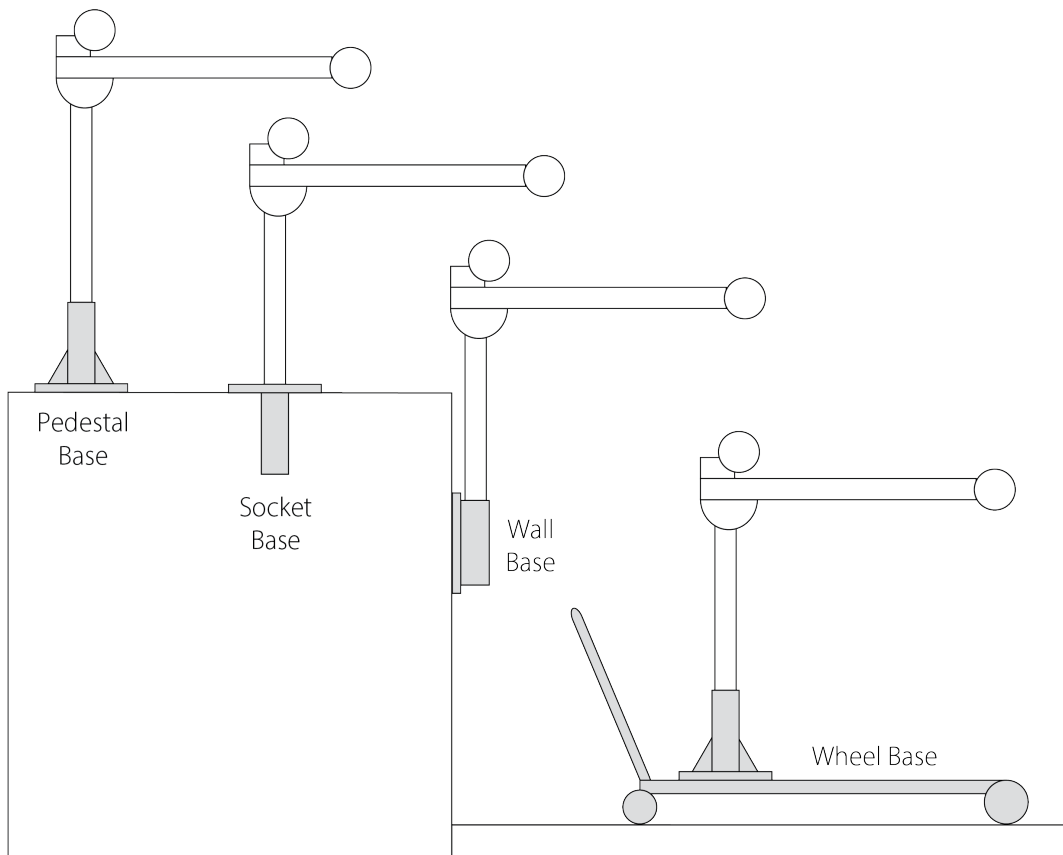




DAVIT CRANE BASES

Quick Guide



CONTACT

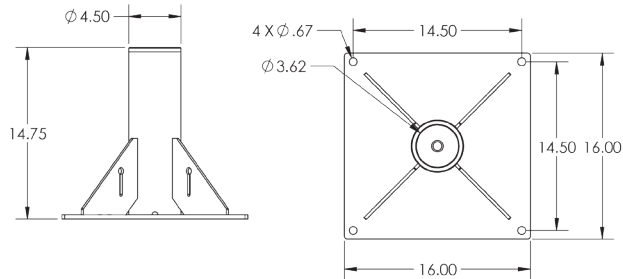
sales@ozliftingproducts.com
www.ozliftingproducts.com

(507) 474-6250
(800) 749-1064

5455 W. Sixth Street, Winona, MN 55987
P.O. Box 845, Winona, MN 55987

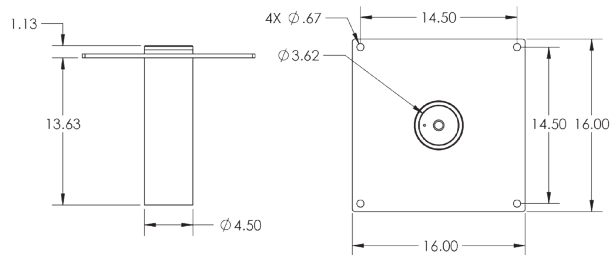
1 SERIES BASES

PEDESTAL BASE 1



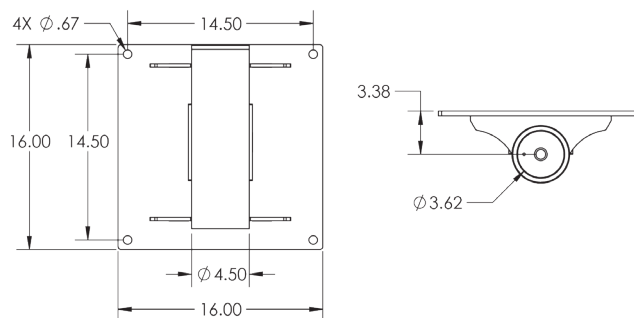
OZPED1	
Outer Dimension	4.50"
Inner Dimension	3.62"

SOCKET BASE 1



OZSOC1	
Outer Dimension	4.50"
Inner Dimension	3.62"

WALL BASE 1



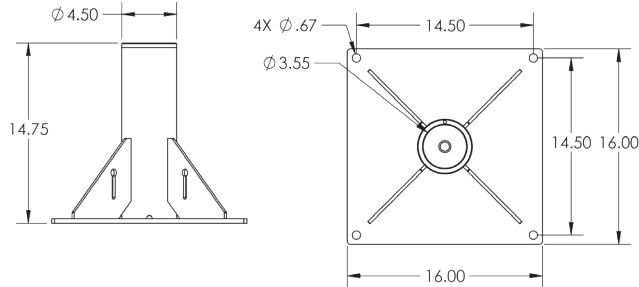
OZWALL1	
Outer Dimension	4.50"
Inner Dimension	3.62"



**1 SERIES BASES COMPATIBLE WITH OZ DAVIT CRANE MODEL:
CompOZite® 1200 (OZ1200DAV)**

1-TP SERIES BASES

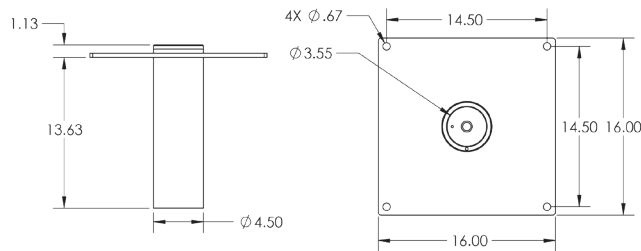
PEDESTAL BASE 1-TP



OZPED1-TP

Outer Dimension	4.50"
Inner Dimension	3.55"

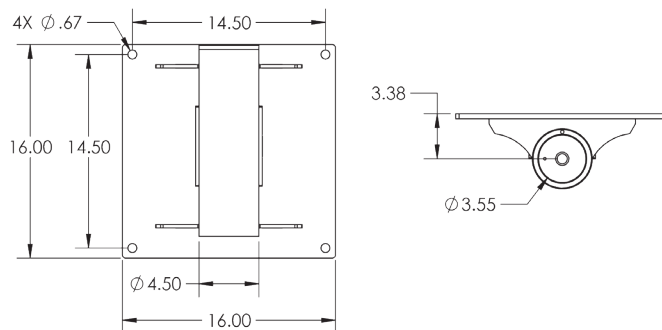
SOCKET BASE 1-TP



OZSOC1-TP

Outer Dimension	4.50"
Inner Dimension	3.55"

WALL BASE 1-TP



OZWALL1-TP

Outer Dimension	4.50"
Inner Dimension	3.55"

1-TP SERIES BASES COMPATIBLE WITH OZ DAVIT CRANE MODELS:



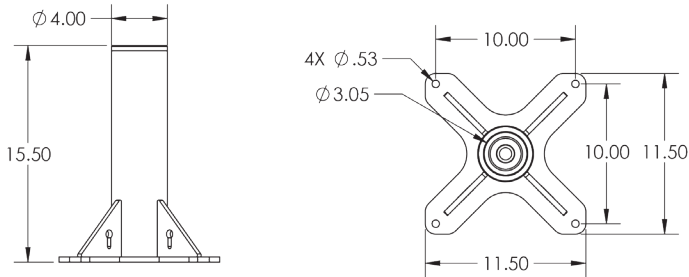
Alumi-Lite® 1000 (OZA1000DAV)

XR Series 1000 (OZXR1000DAV)

Tele-Pro® 1200 (OZTP1200DAV)

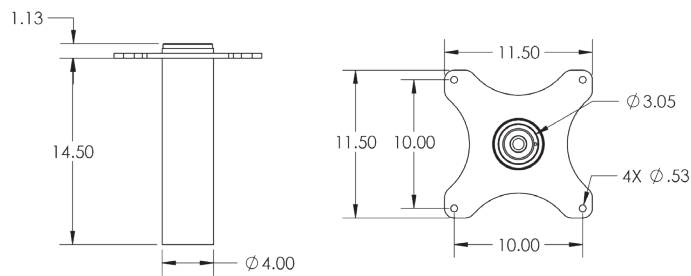
2 SERIES BASES

PEDESTAL BASE 2



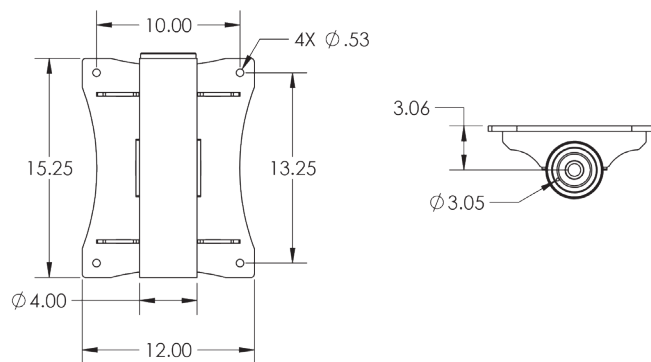
OZPED2	
Outer Dimension	4.00"
Inner Dimension	3.05"

SOCKET BASE 2



OZSOC2	
Outer Dimension	3.875"
Inner Dimension	3.05"

WALL BASE 2



OZWALL2	
Outer Dimension	3.88"
Inner Dimension	3.05"



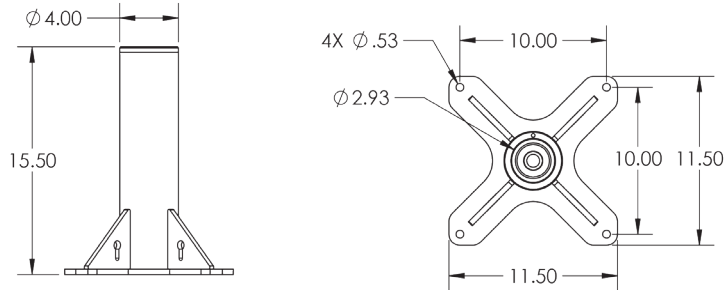
2 SERIES BASES COMPATIBLE WITH OZ DAVIT CRANE MODELS:

Steel 1000 (OZ1000DAV)

CompOZite® Elite 1200 (OZCF1200DAV)

2-TP SERIES BASES

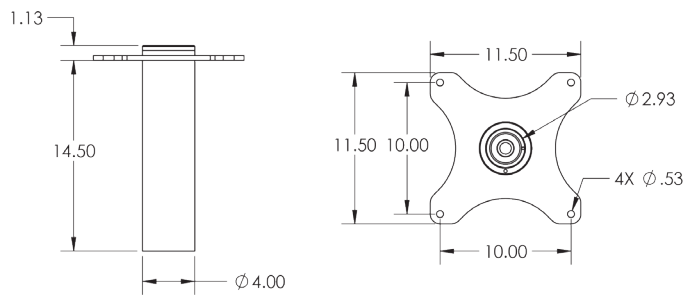
PEDESTAL BASE 2-TP



OZPED2-TP

Outer Dimension	4.00"
Inner Dimension	2.93"

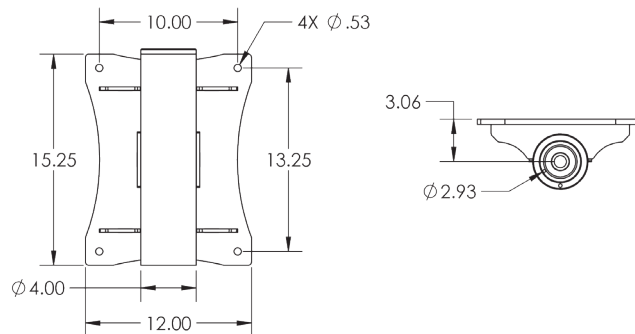
SOCKET BASE 2-TP



OZSOC2-TP

Outer Dimension	3.875"
Inner Dimension	2.93"

WALL BASE 2-TP



OZWALL2-TP

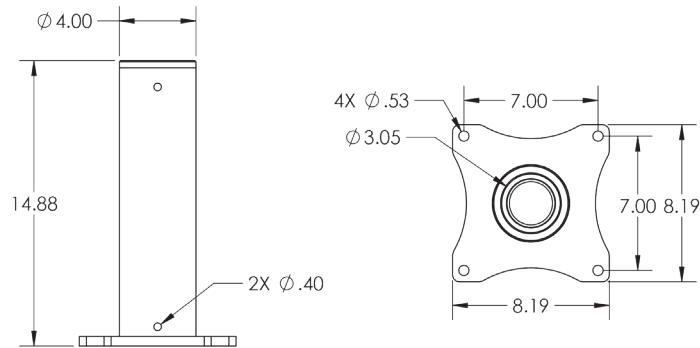
Outer Dimension	4.00"
Inner Dimension	2.93"



**2-TP SERIES BASES COMPATIBLE WITH OZ DAVIT CRANE MODEL:
Tele-Pro® 500 (OZTP500DAV)**

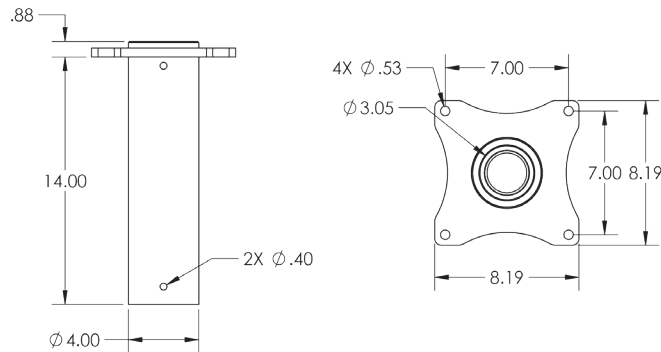
OZ 3 SERIES BASES

PEDESTAL BASE 3



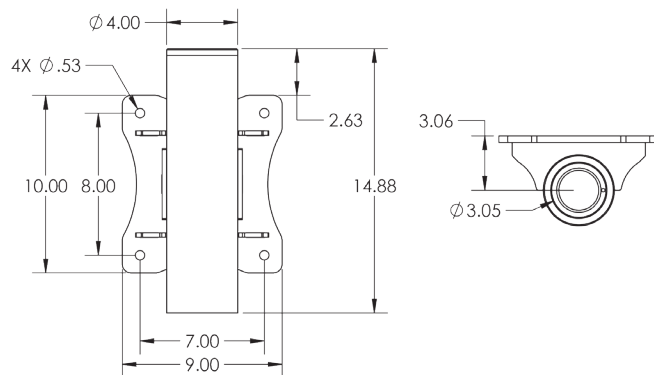
OZPED3	
Outer Dimension	4.00"
Inner Dimension	3.05"

SOCKET BASE 3



OZSOC3	
Outer Dimension	4.00"
Inner Dimension	3.05"

WALL BASE 3



OZWALL3	
Outer Dimension	4.00"
Inner Dimension	3.05"



3 SERIES BASES COMPATIBLE WITH OZ DAVIT CRANE MODELS:

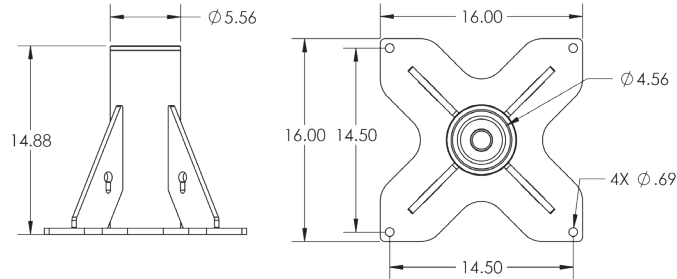
Steel 500 (OZ500DAV)

Alumi-Lite® 500 (OZA500DAV)

XR Series 500 (OZXR500DAV)

OZ 4 SERIES BASES

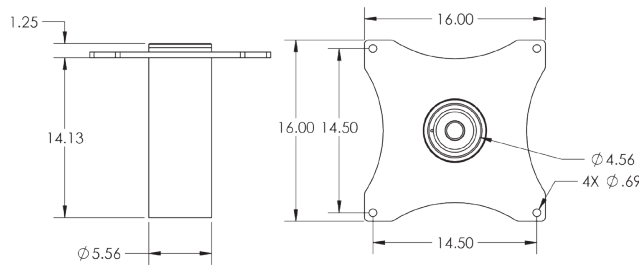
PEDESTAL BASE 4



OZPED4

Outer Dimension	5.56"
Inner Dimension	4.56"

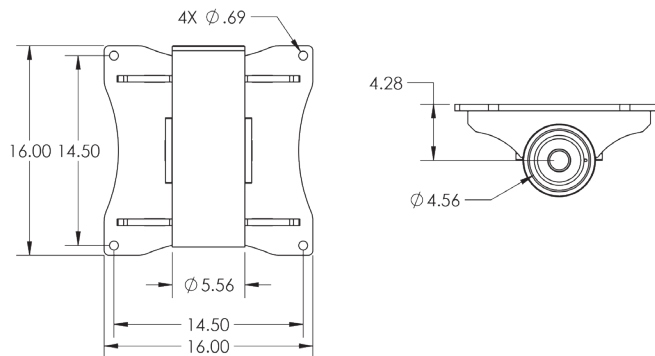
SOCKET BASE 4



OZSOC4

Outer Dimension	5.56"
Inner Dimension	4.56"

WALL BASE 4



OZWALL4

Outer Dimension	5.56"
Inner Dimension	4.56"



4 SERIES BASES COMPATIBLE WITH OZ DAVIT CRANE MODELS:

Steel 2500 (OZ2500DAV)

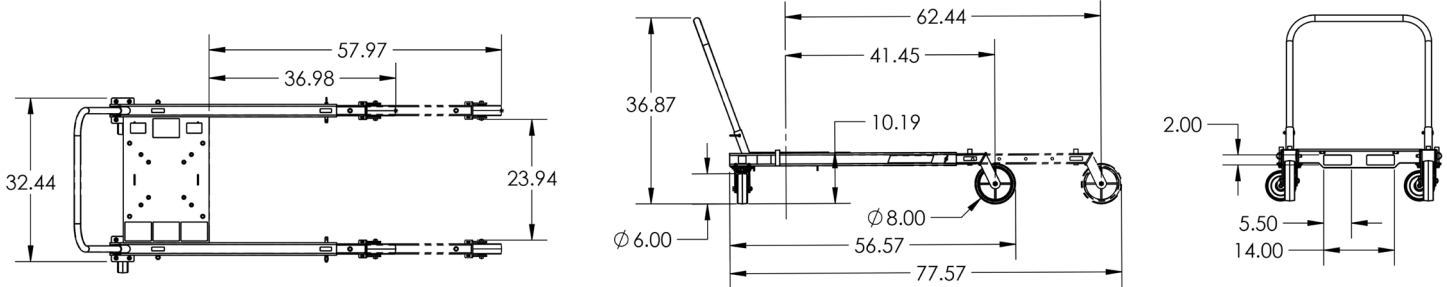
Tele-Pro® 2500 (OZTP2500DAV)

OZ WHEEL BASES



OZWB2 SHOWN

OZWB1	
Outer Dimension	4.50"
Inner Dimension	3.62"
OZWB1-TP	
Outer Dimension	4.50"
Inner Dimension	3.55"
OZWB2	
Outer Dimension	4.00"
Inner Dimension	3.05"
OZWB2-TP	
Outer Dimension	4.00"
Inner Dimension	2.93"
OZWB3	
Outer Dimension	4.00"
Inner Dimension	3.05"



OZ WHEEL BASE WORKS WITH ALL OZ LIFTING DAVIT CRANES UP TO 1200 LB.



OZWB	PEDESTAL BASE NOT INCLUDED
OZWB1	OZ1200DAV
OZWB1-TP	OZTP1200DAV, OZA1000DAV, OZXR1000DAV
OZWB2	OZ1000DAV, OZCF1200DAV
OZWB2-TP	OZTP500DAV
OZWB3	OZ500DAV, OZA500DAV, OZXR500DAV

Wheel Base includes pedestal base and hardware kit, floor-anchor mounting bolt kit, davit crane locking collar, and toolbox storage tube (excluding model #OZWB).
 OZWB includes base hardware kit, floor-anchor mounting bolt kit, and toolbox storage tube; required pedestal base and locking collar sold separately.
 Davit crane sold separately from all models. Dimensions and illustrations are for reference only and subject to change without notice.