



TELE-PRO®

TELESCOPING DAVIT CRANE

500, 1200, 2500 LB. CAPACITIES

MODELS:

OZTP500DAV
OZTP1200DAV
OZTP2500DAV



Read operator's manual
carefully before operating
this product. Keep
this manual nearby for
reference at all times while
operating this product.



P.O. Box 845, Winona, MN 55987
Phone (800) 749-1064
(507) 474-6250
Tech Support (507) 457-3346
Fax (507) 452-5217
sales@ozliftingproducts.com

TABLE OF CONTENTS:

INTRODUCTION.....	3
Owner Information.....	3
DAVIT CRANE INFORMATION AND LOCATIONS.....	4
ID Plate with QR Code Location	4
Machine Label Locations	4
SAFETY	6
General Safety Information.....	6
Guidelines.....	6
Safety Symbols	6
Safety Precautions	6
Safety Warnings	7
Safety Labels.....	8
Label Identification	8
Danger Safety Labels.....	8
Warning Safety Labels.....	8
Caution Safety Labels.....	8
Safety Label Locations.....	9
PRE-INSTALLATION INSPECTION.....	11
INSTALLING THE BASE	11
ASSEMBLING THE CRANE	12
ASSEMBLY DIAGRAMS.....	13
Assembling the Crane.....	13
Installing a Manual Winch.....	13
Installing an Electric Winch	13
Installing a Single Position Locking Collar	14
Installing a Multiple Position Locking Collar.....	14
INSTALLING THE CABLE	15
Installing a Wire Rope with a Ball End Fitting to a Manual Winch.....	16
Installing a Wire Rope with a Bare End to a Manual Winch	16
For Synthetic Cable.....	16
FIELD TEST	16
PREPARING FOR OPERATION	17
Warnings & Precautions	17
OPERATING GUIDELINES	17
Ambient Operating Temperature	18
TELESCOPIC BOOM OPERATION	18
Operation of the Ratchet Binder	19
Drill Drive Adapter	19
MAINTENANCE.....	20
Maintenance Safety Information	20
Lubrication.....	20
Cleaning the Crane.....	20
Light Wash Down	20
Cleaning Instructions	21
INSPECTION	21
Definitions	21
Inspection Classifications	21
Important Inspection Notes	22
Inspection Chart	23
STORAGE	23
REPAIR	24
Troubleshooting Chart	24
SPECIFICATIONS	25
TELE-PRO® Davit Crane 360-Degree Hook Reach Specifications	27
LOAD RATINGS	28
PARTS BREAKDOWN	31
OZ LIFTING PRODUCTS TWO YEAR WARRANTY	32
MAINTENANCE RECORD	33

INTRODUCTION:

Owner Information

Thank you for your decision to purchase the **TELE-PRO**® davit crane by OZ Lifting Products. To ensure maximum performance of your equipment, it is mandatory that you thoroughly study this operator's manual and follow the recommendations. Proper operation and maintenance are essential to maximize equipment life and prevent personal injury.

The purpose of this manual is to familiarize and instruct the operator.

Safety is of primary importance to the owner/operator and to the manufacturer. The first section of this manual includes a list of safety messages that, if followed, will help protect the operator and bystanders from injury or death. Many of the safety messages will be repeated throughout the manual. The owner/operator should know these safety messages and be aware of the hazards of operating and maintaining this equipment. Operate and maintain this equipment in a safe manner and in accordance with all applicable local, state, and federal codes, regulations and/or laws. Follow all on product labeling and instructions.

Make sure that all personnel have read this operator's manual and thoroughly understand safe and correct operating, installation and maintenance procedures.

It is the operator's responsibility to ensure that the product is used in accordance with all applicable local codes, regulations, and safety standards. OZ Lifting Products, LLC assumes no liability for any damages or injuries resulting from the improper use of the product.

OZ Lifting Products, LLC® is continually working to improve its products. OZ Lifting Products, LLC® reserves the right to make any improvements or changes as deemed practical and possible without incurring any responsibility or obligation to make any changes or additions to equipment sold previously.

Although great care has been taken to ensure the accuracy of this publication, OZ Lifting Products, LLC® makes no warranty or guarantee of any kind, written or expressed, implied or otherwise with regard to the information contained within this manual. OZ Lifting Products, LLC® assumes no responsibility for any errors that may appear in this manual and shall not be liable under any circumstances for incidental, consequential or punitive damages in connection with, or arising from the use of this manual.

Keep this manual available for frequent reference. All new operators or owners must review the manual before using the equipment, and annually thereafter. This operator's manual is available on our website www.ozliftingproducts.com in digital and multi-language formats. Contact OZ Lifting Products, LLC® for assistance, information, or for additional copies of this manual.



P.O. Box 845, Winona, MN 55987
Phone (800) 749-1064 • (507) 474-6250
Tech Support (507) 457-3346
Fax (507) 452-5217
sales@ozliftingproducts.com
www.ozliftingproducts.com

DAVIT CRANE INFORMATION AND LOCATIONS:

ID Plate with QR Code Location

Please record your OZ Lifting Products information in the spaces provided below for future reference.

BEFORE USE, FILL IN THE INFORMATION BELOW:	
Model No.:	_____
Serial No.:	_____
Purchase Date:	_____

Always use the model number and serial number when requesting information or when ordering parts.

Use your mobile device to scan the QR Code. The mobile device will then navigate to the OZ Lifting Products website to view digital and multi-language versions of this manual.

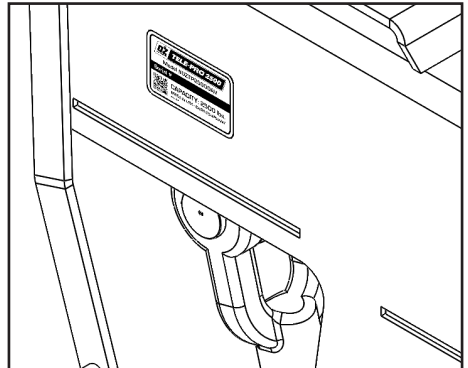


Figure 1.1

Machine Label Locations

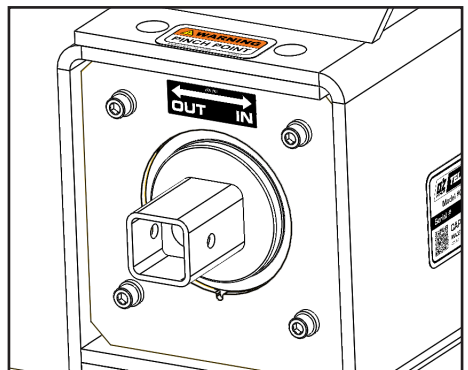


Figure 1.2

OZ LIFTING TELE-PRO 2500

OZ LIFTING TELE-PRO 2500

2000LB
45° ANGLE BOOM CAPACITY
907KG

2000LB
45° ANGLE BOOM CAPACITY
907KG

2500LB
45° ANGLE BOOM CAPACITY
1134KG

1300LB
HORIZONTAL BOOM CAPACITY
590KG

1600LB
HORIZONTAL BOOM CAPACITY
726KG

1900LB
HORIZONTAL BOOM CAPACITY
862KG

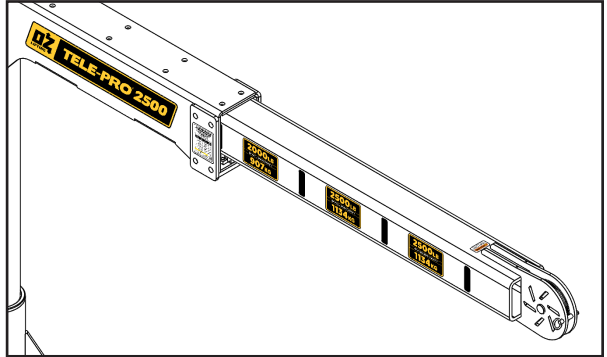


Figure 1.3

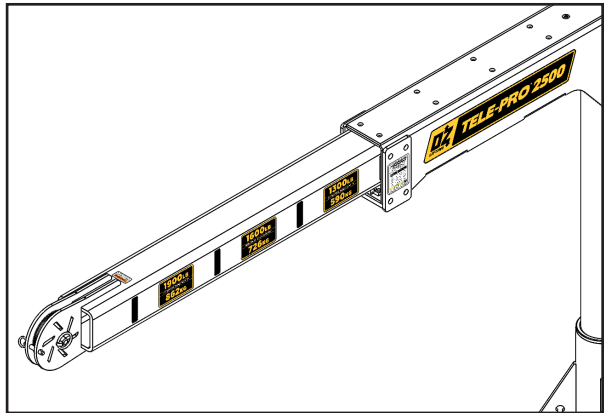
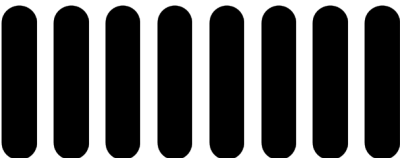


Figure 1.4



SAFETY:

GENERAL SAFETY INFORMATION

Guidelines

This general safety information serves as a guide to correctly operate OZ Lifting Products equipment. Anyone operating this equipment must read and understand all of the manuals that are included with the **TELE-PRO**® davit crane by OZ Lifting Products.

Safety Symbols

The words DANGER, WARNING, CAUTION are used throughout the safety messages and decals in the manual or on the equipment. Statements with one of these words indicates a safety risk is involved. Be sure to observe the precautions indicated whenever a Safety Alert Symbol is present.



This symbol is used to call attention to instructions concerning personal safety. Be sure to observe and follow these instructions. Take time to be careful!



The signal word **DANGER** on the equipment and in the manual identifies a hazardous situation which, if not avoided, **WILL** result in death or serious injury.



The signal word **WARNING** on the equipment and in the manual indicates a potentially hazardous situation which, if not avoided, **COULD** result in death or serious injury.



The signal word **CAUTION** on the equipment and in the manual indicates a potentially hazardous situation which, if not avoided, **MAY** result in minor or moderate injury. It may also be used to alert against unsafe practices.



This notice identifies procedures which must be followed to avoid damage to the equipment.

SAFETY PRECAUTIONS

The information in this manual applies to the **TELE-PRO**® davit crane by OZ Lifting Products.

This manual contains general instructions for normal installation, operation, and maintenance of the product described herein. The information provided should not be expected to prepare the user for all possible circumstances.

This product should not be installed, operated, or maintained by any person who has not read all the contents of this manual. Failure to read and comply with these instructions, warnings, or limitations may result in bodily injury, death, or property damage.

It is the responsibility of the owner/user to install, test, maintain, and operate this product in accordance with OSHA regulations as well as all other federal, state, and local regulations. Only trained and qualified personnel shall operate and maintain this product.

Regularly inspect the **TELE-PRO**® davit crane by OZ Lifting Products for signs of wear, elongation of holes, surface cracks, gouges, damage or any abnormal conditions.

Product owners should schedule and keep record of regular inspection and maintenance performed. There is a maintenance chart included in the back of this book. Record your **TELE-PRO**® davit crane by OZ Lifting Products serial number and purchase date in this manual for reference.

Do not use the **TELE-PRO**® davit crane by OZ Lifting Products in conjunction with other equipment unless the necessary safety devices are in place. Modifications to this product is only authorized by the original manufacturer.

SAFETY WARNINGS

Failure to read and comply with the following warnings may result in a hazardous situation that could lead to death, serious injury, or property damage. Keep this manual near the equipment at all times. Do not remove, alter, or obscure the labels attached to the winch. Contact OZ Lifting Products for replacement manuals and labels.



Failure to read and comply with the following warnings may result in a hazardous situation that could lead to death, serious injury, or property damage.

- DO NOT** operate a damaged or malfunctioning product.
- DO NOT** lift people.
- DO NOT** lift loads over people.
- DO NOT** operate until personnel are warned of approaching loads and are cleared from the area.
- DO NOT** leave a suspended load unattended.
- DO NOT** put hands in areas with moving parts such as sheaves, wire ropes, and gears.
- DO NOT** operate if guards are improperly installed or removed.
- DO NOT** adjust crane beyond rated load capacity. See load rating specifications on page 28.
- DO NOT** adjust crane so that it becomes overloaded during the lift.
- DO NOT** lower the boom past the horizontal position.
- DO NOT** operate without at least four (4) anchor wraps of wire rope around the winch drum to prevent rope from loosening and the load from falling.
- DO NOT** lift more than the rated load of the crane nor that of attached components.
- DO NOT** use additional cranes to move a load that is heavier than the load rating of a single crane being utilized. A load shift could overload the components.
- DO NOT** modify the equipment or use for different functions.
- DO NOT** use unapproved rigging devices or methods with this crane.
- DO NOT** adjust the winch brake while load is suspended.
- DO NOT** adjust ratchet binder beyond its travel limits. Ratchet binder should be centered before use.
- DO NOT** remove, deface, or obscure warning labels.
- DO NOT** allow load to swing or jerk. Operate smoothly to avoid shock loads.
- DO NOT** lift any load that is not located directly below the crane. This product is not intended to drag a load sideways.
- DO NOT** assume the lynch pin is secure by visual inspection alone. Ensure a secure fit by listening for a snap as you close the lynch pin.
- DO NOT** substitute smaller diameter pins. Use only the pins supplied with the crane.
- DO NOT** assume compatibility of attachments. See manufacturer's recommendations and ensure compliance with local regulations for safe use.
- DO NOT** operate without assuring wire rope is securely attached to the winch drum.
- DO NOT** operate without checking for proper lubrication.
- DO NOT** use chains, cables, or rigid devices to lift crane. Nylon or other synthetic slings should be used instead.

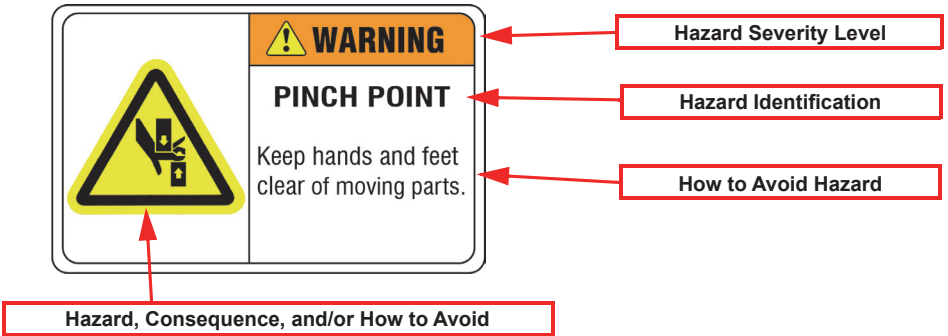
SAFETY LABELS

Label Identification

Safety labels are placed on the equipment to protect anyone working on or around this equipment, as well as the components of the equipment. All personnel operating or maintaining this equipment must familiarize themselves with the safety labels.

The safety labels are color coded to warn the operator of the various levels of machine hazards. The safety label example below defines a standard industry label.

Make sure all safety labels are in place and clearly readable. Replace any damaged or missing safety labels with a factory replacement label.



Danger Safety Labels



Failure to read and comply with the following warnings may result in a hazardous situation that could lead to death, serious injury, or property damage.

Warning Safety Labels



The signal word **WARNING** on the equipment and in the manual indicates a potentially hazardous situation which, if not avoided, **COULD** result in death or serious injury.

Caution Safety Labels



The signal word **CAUTION** on the equipment and in the manual indicates a potentially hazardous situation which, if not avoided, **MAY** result in minor or moderate injury. It may also be used to alert against unsafe practices.

Safety Label Locations

⚠ WARNING

FAILURE TO COMPLY WITH THE FOLLOWING WARNINGS MAY RESULT IN A HAZARDOUS SITUATIONS THAT COULD LEAD TO DEATH, SERIOUS INJURY, OR PROPERTY DAMAGE.

DO NOT operate a damaged or malfunctioning product.
 DO NOT lift people.
 DO NOT lift loads over people.
 DO NOT operate until personnel are warned of approaching loads and are cleared from the area.
 DO NOT do not leave a suspended load unattended.
 DO NOT put hands in areas with moving parts including sheaves, wire rope, boom, and gears.
 DO NOT operate if guards are improperly installed or removed.
 DO NOT adjust crane beyond rated load capacity. See load rating decal for specifications.
 DO NOT adjust crane so that it becomes overloaded during the lift.
 DO NOT lower the boom past horizontal position.
 DO NOT operate without assuring wire rope is securely attached to the winch drum.
 DO NOT operate without at least four (4) anchor wraps of wire rope around the winch drum to prevent rope from loosening and the load from falling.
 DO NOT lift more than the rated load of the crane nor that of attached components.
 DO NOT use additional cranes to move a load that is heavier than the load rating of a single crane being utilized. A load shift could overload the components.
 DO NOT modify the equipment or use for different functions.
 DO NOT use unapproved rigging devices or methods with this crane.
 DO NOT adjust the winch brake while load is suspended.
 DO NOT adjust ratchet jack beyond its travel limits. Ratchet jack should be centered before use.
 DO NOT remove, deface, or obscure warning labels.
 DO NOT assume compatibility of attachments.
 See manufacturer's recommendations and ensure compliance with local regulations for safe use.

⚠ WARNING

TO AVOID RISK OF ACCIDENTS OR INJURY:
 DO NOT lift people.
 DO NOT lift loads over people.

⚠ WARNING

ENSURE LYNCH PIN SNAPS AGAINST SHAFT FOR PROPER SECURITY

⚠ CAUTION

DO position the load's center line vertically from the crane's outer boom pulley.
 DO operate smoothly to avoid shock loads.
 DO NOT allow load to swing or jerk.
 DO NOT operate with load pulling or dragging.

⚠ WARNING

DO NOT ADJUST RATCHET BINDER BEYOND TRAVEL LIMITS:
 Ratchet binder should be centered before use.

⚠ CAUTION

TO AVOID RISK OF ACCIDENTS OR INJURY:
 DO NOT lower the boom beyond horizontal position.

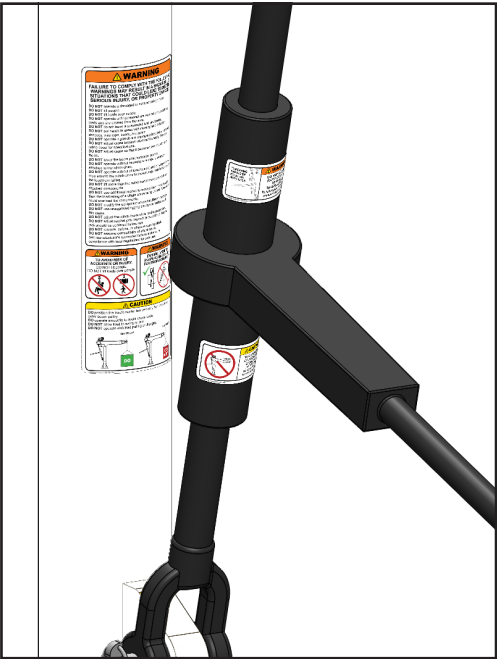


Figure 2.1

OZ TELE-PRO 2500
LIFTING

LOAD RATING
OZTP2500DAV
45° Boom Angle

Based on 3/8 inch synthetic rope. Boom is infinitely adjustable.
For simplicity, ratings have been split into four positions.

BOOM POSITION	FIRST LAYER	MID DRUM	FULL DRUM
28 in [711 mm]	2500 lb [1134 kg]	2015 lb [914 kg]	1550 lb [703 kg]
37 in [940 mm]	2500 lb [1134 kg]	2015 lb [914 kg]	1550 lb [703 kg]
45.50 in [1156 mm]	2500 lb [1134 kg]	2015 lb [914 kg]	1550 lb [703 kg]
54 in [1372 mm]	2000 lb [907 kg]	2000 lb [907 kg]	1550 lb [703 kg]

CAUTION
Maximum load rating capacity will vary depending on rope length and diameter, and winch. Please reference operator's manual for more information.

ozliftingproducts.com | 800-749-1064 #200-0958

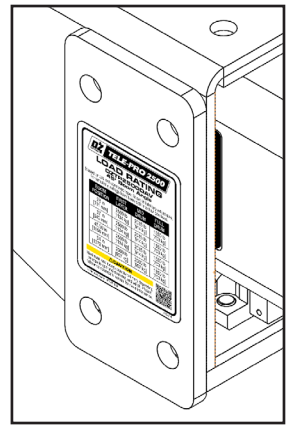


Figure 2.2

OZ TELE-PRO 2500
LIFTING

LOAD RATING
OZTP2500DAV
Horizontal Boom Angle

Based on 3/8 inch synthetic rope. Boom is infinitely adjustable.
For simplicity, ratings have been split into four positions.

BOOM POSITION	FIRST LAYER	MID DRUM	FULL DRUM
46 in [1168 mm]	2500 lb [1134 kg]	2015 lb [914 kg]	1550 lb [703 kg]
58 in [1473 mm]	1900 lb [862 kg]	1900 lb [862 kg]	1550 lb [703 kg]
70 in [1778 mm]	1600 lb [726 kg]	1600 lb [726 kg]	1550 lb [703 kg]
82 in [2083 mm]	1300 lb [590 kg]	1300 lb [590 kg]	1300 lb [590 kg]

CAUTION
Maximum load rating capacity will vary depending on rope length and diameter, and winch. Please reference operator's manual for more information.

ozliftingproducts.com | 800-749-1064 #200-0957

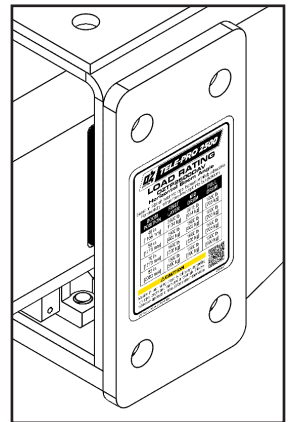


Figure 2.3

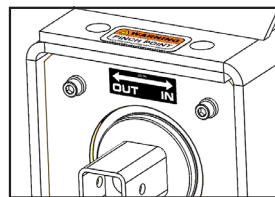


Figure 2.4

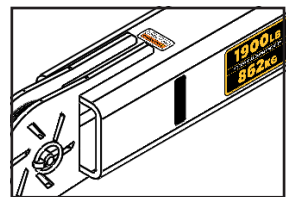


Figure 2.5

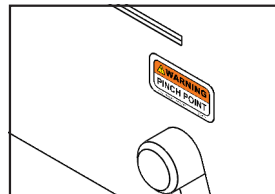


Figure 2.6

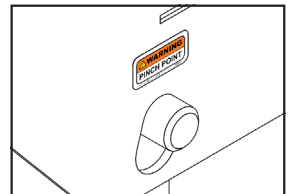


Figure 2.7



PRE-INSTALLATION INSPECTION:

Check for damage during shipment. Do not install or use a damaged product. Be sure to maintain records of product information and contact your OZ Lifting Products dealer with any problems that arise. Refer to applicable codes and regulations before installing equipment. Contact a qualified professional to obtain structure and foundation specifications for product mounting.

Before installing, select a location where the crane is:

- Visible throughout its entire operation.
- Free of traffic and any possible operational interference.
- Positioned so the operator is clear of both the load and the path of the wire cable.
- Accessible for maintenance.
- Attached to a strong, level foundation that can properly support it under all conditions.
- Removed from any corrosive, flammable, explosive, or potentially damaging materials.

Inspect the crane to assure there are no missing or damaged parts. Do not discard the crane's shipping containers as they can be reused if the crane needs to be repackaged. Contact your OZ Lifting Products dealer if any problems arise.

Assure that all components, including the pin that the load sheave rides on, are properly lubricated before assembling. Refer to Maintenance section beginning on page 20.

During assembly, perform an inspection of all components and resolve any issues. This will provide a benchmark comparison for later inspections.

INSTALLING THE BASE:

NOTE: The accompanying bases for the TELE-PRO® davit cranes by OZ Lifting Products are sold separately through a OZ Lifting Products dealers. They are necessary for proper operation of this product.

The base of the **TELE-PRO® 500** - OZTP500DAV must be securely fastened to the foundation using ½-inch Grade 5 fasteners. Apply a torque that is recommended by the fastener/anchor manufacturer.

The base of the **TELE-PRO® 1200** - OZTP1200DAV and **TELE-PRO® 2500** - OZTP2500DAV must be securely fastened to the foundation using 5/8-inch Grade 5 fasteners. Apply a torque that is recommended by the fastener/anchor manufacturer.


Assure that mounting surface is located directly above a strong, level, solid foundation that supports the crane under all circumstances.

Non-standard products that have been altered from the original design may require alternative fastening requirements. Contact your OZ Lifting Products dealer for more information.

ASSEMBLING THE CRANE:

Please refer to Figure 3.1 on page 13 before assembling the crane.


The following steps outline the physical steps required to assemble the **TELE-PRO**® davit crane by OZ Lifting Products. Some of the cranes will be too heavy for one person to assemble themselves. Please use additional persons and/or lifting equipment to assemble crane components deemed too heavy for one individual to handle.

 **Fasteners should not be over-tightened during assembly as this may strip the threads and lead to damage. The two pins marked #2 are identical. Both are necessary for assembly.**

Once the OZ Lifting Products LLC® base has been installed, assemble the crane with the following steps:

1. Install the mast into the base. The mast will slide easily down into the base (no tools are necessary). Assure that the mast is properly positioned on the pin at the bottom of the base. This can be confirmed by moving the mast from side to side to check for excessive play. The mast should fit snugly. Assure that the height adjustment lug is facing towards the rear.

2. Set the boom on the mast using the Smart Latch, an OZ Lifting Products quick connection system. Make sure the orientation of the boom is correct to the mast-the winch end of the boom should be over the ratchet binder attachment point on the mast. The boom should be rotated slightly so the oblong hole can be hooked over one end of the mast top pin. Rotate the boom back to the horizontal position to engage the other end of the mast top pin.

 **Releasing your grip on the boom at this point in assembly may cause the boom to swing down into the mast. This could result in injury and/or damage to the product.**

3. Attach one end of the ratchet binder to the rear mounting lug on the boom. Align the holes in the ratchet binder with the hole in the mounting lug and insert clevis pin #2. Secure with a lynch pin.

4. Attach the other end of the ratchet binder to the mounting lug on the crane mast. Align the holes in the ratchet binder with the hole in the mounting lug and insert the 2nd clevis pin #2. Secure with a lynch pin.

NOTE: The TELE-PRO® davit cranes by OZ Lifting Products will ship from the factory partially assembled. The following steps are only for reference if the product must be reassembled.

5. Slide the sheave pulley into the boom cap from either the top or the bottom. Align the holes on the sheave pulley with those on the boom. Insert clevis pin #1 and secure with lynch pin.

6. Center the winch over the mounting holes on the top of the boom. The drum should be facing toward the sheave pulley. Secure the winch to the boom in the front-most mounting position, or the set of three holes closest to the sheave. There are two bolt patterns on the boom. The smaller bolt pattern is for the manual winch.

NOTE: Disassembly is the reverse of the assembly. It is not necessary to fully disassemble the crane to transport it.

ASSEMBLY DIAGRAMS:

Assembling the Crane

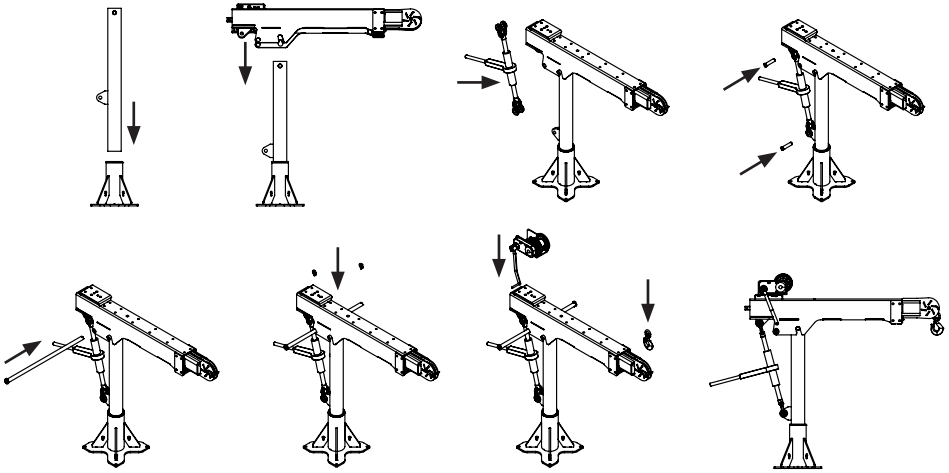


Figure 3.1

NOTE: Further disassembly of the boom extension/retraction mechanism is not normally needed. If full disassembly of the inner boom components is required, please contact the factory. Any unauthorized removal of the inner boom components will void the warranty.

Installing a Manual Winch

Applies to part numbers: OZWINHND1, OZWINHND2

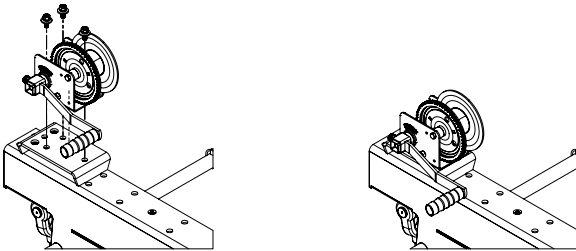


Figure 3.2

Installing an Electric Winch

Applies to part numbers: OZACW, OZDCW

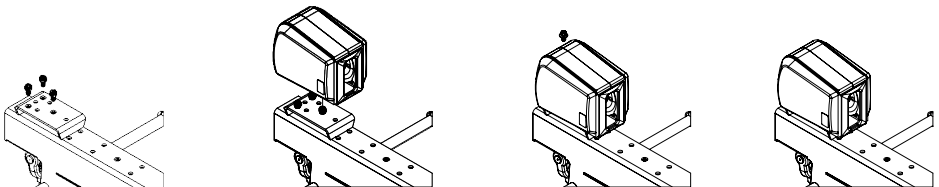


Figure 3.3

Installing a Single Position Locking Collar

Applies to part numbers: OZ100020, OZ100021, OZ100022, OZ100023, OZ100025

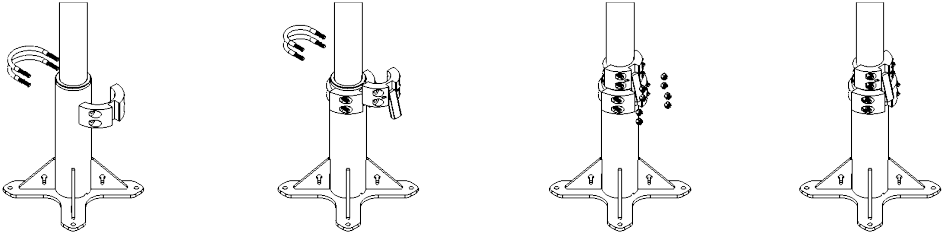


Figure 3.4

Installing a Multiple Position Locking Collar

Applies to part numbers: LC1, LC2, LC3, LC4

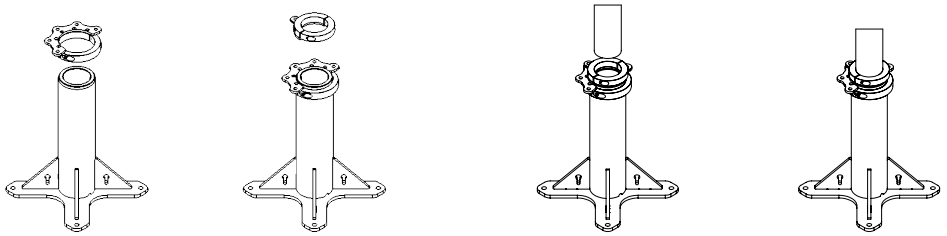


Figure 3.5

INSTALLING THE CABLE:

The OZ Lifting Products cable assembly that can be ordered with the **TELE-PRO®** davit crane by OZ Lifting Products may come with a swaged ball on one end to facilitate easy assembly.

Standard bare end cable can also be used. The hardware for bare end cable installation is included. Please refer to the accompanying winch owner's manual for instructions on installing a bare end cable.

To install the OZ Lifting Products supplied cable with swaged ball end:

1. Lay the cable out on a flat surface to ensure it is not knotted or looped.
2. Locate the ball end of the cable.
3. Locate the "keyhole" in the winch drum that accepts the ball end of the cable.
4. Thread the ball end of the cable over the load sheave pulley and towards the winch. The cable retainer pin may need to be removed from the tip of the boom so the ball will pass over the sheave.
5. Insert the ball end fitting of the cable into the "keyhole" feature in the winch.
6. Ensure that the ball end of the cable slides into the slot in the "keyhole" and cannot be pulled out.
7. Manually spool at least four full wraps of cable onto the winch drum. There must be at least four full anchor wraps of cable on the winch drum at all times. (See Figure 4.1)
8. Install cable-retainer pin by inserting into holes at the tip of the boom.

NOTE: To ensure the maximum amount of cable can be spooled onto the winch, the cable must be neatly spooled onto the winch drum. If the cable is not spooled neatly onto the winch drum, the cable capacity will be reduced and handle effort may increase. Cable that is not spooled neatly can consume 30% more space on the winch drum, reducing cable capacity.

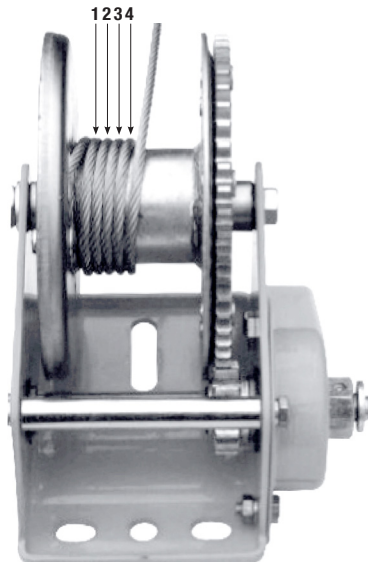
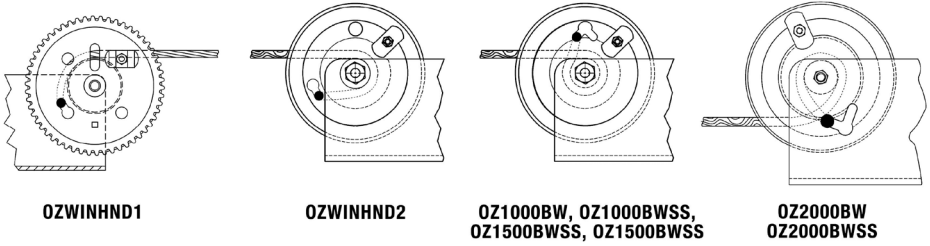


Figure 4.1

Installing a Wire Rope with a Ball End Fitting to a Manual Winch

Applies to part numbers OZWINHND1, OZWINHND2, OZ1000BW, OZ1000BWSS, OZ1500BWSS, OZ1500BWSS, OZ2000BW, OZ2000BWSS when installing wire rope with a ball end fitting.

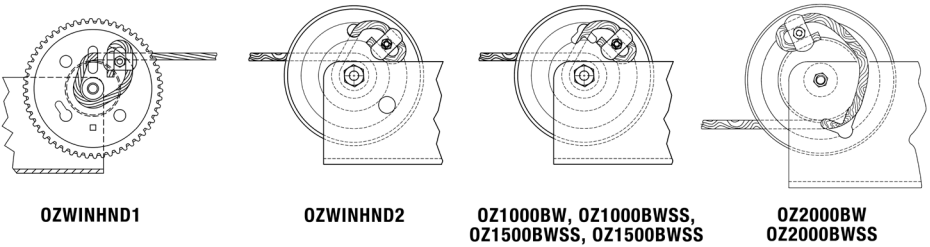
Figure 4.2



Installing a Wire Rope with a Bare End to a Manual Winch

Applies to part numbers OZWINHND1, OZWINHND2, OZ1000BW, OZ1000BWSS, OZ1500BWSS, OZ1500BWSS, OZ2000BW, OZ2000BWSS when installing wire rope without a ball end fitting.

Figure 4.3



For Synthetic Cable

There will be a loop braided into the end to the cable. Install the cable as you would a bare end cable by placing this loop over the retainer bolt and secure with the stamped washer and lock nut.

NOTE: Synthetic based cables require 8 anchor wraps at all times

FIELD TEST:

There is no ASME standard for davit cranes. OZ Lifting Products davit cranes have a minimum 3:1 design factor. We individually load test and certify every davit crane to 125% of the rated capacity. A test certificate is generated that includes the serial number and a photo of the davit under load. If a load test is required on site, we recommend contacting a civil engineer to determine if the base has been properly mounted to a secure location. We provide the information on the moment a base would pull away from the mounting bolts.

PREPARING FOR OPERATION:

WARNINGS & PRECAUTIONS



Failure to read and comply with the following warnings may result in a hazardous situation that could lead to death, serious injury, or property damage.

Operators should read and fully comprehend this entire manual and all warnings on the OZ Lifting Products crane before beginning crane operation. If this manual is not read and followed completely, injuries and damage may occur. For questions regarding operation, please contact your OZ Lifting Products dealer.

Before operating the crane, be sure all parts are clean and properly lubricated. The crane must be in proper working condition and maintenance records must be up to date to proceed with operation. The area of operation must be clear of all flammable materials.

It is important to maintain secure footing while operating the crane. Confirm that the crane is attached securely to a strong, level, solid foundation before operation. Slowly take up a load, verifying that it is well supported and balanced before proceeding with operation.

All operators **MUST:**

- Be trained in proper crane operation and in dealing with potential malfunctions.
- Abstain from use of alcohol, medications, or drugs while operating.
- Be sure to have proper coordination and vision, and avoid operation while tired or distracted.
- Inspect the system components.
- Avoid operation if they have a history of seizures or other medical issues that may interfere with crane operation.
- Know your load and make sure you do not exceed the load rating of the crane or any other system component.
- Keep the load hook centered over the load. Avoid side pulls which may damage the crane or injure the operator if the load tips.

OPERATING GUIDELINES:

The **TELE-PRO® 500** by OZ Lifting Products has a maximum operating load rating of 500 lb.

The **TELE-PRO® 1200** by OZ Lifting Products has a maximum operating load rating of 1200 lb.

The **TELE-PRO® 2500** by OZ Lifting Products has a maximum operating load rating of 2500 lb.

The **TELE-PRO®** davit crane by OZ Lifting Products boom is capable of being adjusted while under load. This adjustment may alter the cranes lifting capacity. Double check the load rating of the crane in every operating position which will be used during the lift to make sure the crane will not be overloaded during the lift.

The **TELE-PRO®** davit crane by OZ Lifting Products is capable of generating forces that are in excess of this maximum load rating, but this should not be attempted.

NOTE: It is the responsibility of the user to ensure that the loads being handled are within the operating limits of the TELE-PRO® davit crane by OZ Lifting Products at all times. Shock loads must be minimized as they can lead to higher forces than the rated capacity of the TELE-PRO® davit crane by OZ Lifting Products.

Load ratings are provided in this manual on pages 28-30, as well as on both sides of the **TELE-PRO®** davit crane by OZ Lifting Products boom itself. These load ratings represent the load rating of

the boom in the horizontal position as well as the 45-degree angle position. These load rating tables are calculated based on both the extension and angle of the crane's boom as well as the amount of cable spooled onto the winch drum. The amount of cable spooled onto the winch will change during a lift (especially long lifts), impacting load capacity.

 **WARNING**

It is the responsibility of the user to determine the maximum amount of cable that will be spooled onto the winch at any given time during the lift and size the load to be lifted accordingly. The manual winch supplied with the TELE-PRO® davit crane by OZ Lifting Products has been specifically chosen to match the rating of the crane. The quick-disconnect handle on this winch has also been specifically designed to operate within the load range of the winch. The effort required to operate the winch at the maximum rated capacity will be significant. This is an intentional design feature and not a defect. The increased effort required when nearing rated capacity (at any percentage of drum capacity) is a sign that the load being lifted may be too heavy.

 **CAUTION**

Check the weight of the load being lifted and reduce the weight if necessary.

 **WARNING**

Never attempt to adjust the angle of the boom below the horizontal position while under load. The boom should only be lowered for storage purposes.

This **TELE-PRO®** davit crane by OZ Lifting Products has a main structure made from steel. At no time should the crane itself emit any abnormal noises during use (cable may make some noise as it settles on the drum-this is normal). Any abnormal sounds are cause for removal of load and inspection. There are multiple sources for abnormal noises including, but not limited to:

- If the cable is not spooled neatly, under tension, when load is applied.
- If the crane is severely overloaded.
- If the crane has suffered severe damage from abuse and/or mishandling.

NOTE: This list is not exhaustive and does not cover all possibilities.

AMBIENT OPERATING TEMPERATURE

This **TELE-PRO®** davit crane by OZ Lifting Products may be used at ambient temperatures of -40°F (-40°C) to 212°F (100°C). Do not use in applications involving extended exposure to ambient temperatures below -10°F (-23°C) or above 130°F (54°C) , or if sudden ambient temperature changes occur.

TELESCOPIC BOOM OPERATION:

The **TELE-PRO®** davit crane by OZ Lifting Products has a unique boom which is capable of being adjusted while under load. Both the angle and extension of the boom can be changed while the crane is under load. It is the user's responsibility to make sure the crane will not be overloaded at any point during the lift. Changing the angle and/or the extension of the boom may raise or lower the crane load capacity while the lift is being performed. The amount of cable spooled onto the winch will change during a lift (especially long lifts), impacting load capacity.

OPERATION OF THE RATCHET BINDER

The angle of the boom is adjusted by using the ratchet binder on at the rear of the crane (see Figure 5.1). The ratchet lever on the ratchet binder switches the ratchet binder between raise and lower.



WARNING

Do not adjust ratchet binder beyond its travel limits. Ratchet binder should be centered before use. See Figure 5.1.



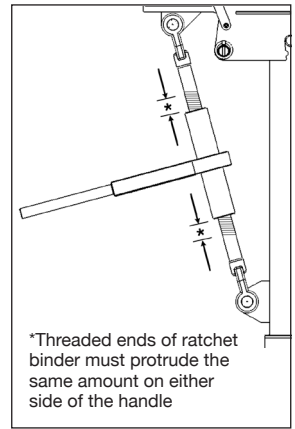
WARNING

When operating the ratchet binder, avoid fully un-threading. Test the travel limits of the ratchet binder before assembly to the crane and before loading, to verify it does not fully un-thread.



CAUTION

At no time should the ratchet binder adjusted as to lower the crane boom below horizontal.



*Threaded ends of ratchet binder must protrude the same amount on either side of the handle

Figure 5.1

DRILL DRIVE ADAPTER

The extension of the boom is adjusted via a square drive on the rear of the boom (see Figures 5.2 and 5.3). This square drive can be operated with either the winch handle or the supplied drill drive adapter. There are stops built into the adjustment mechanism to prevent it from being overextended in either direction. It is recommended to slowly adjust the boom extension when nearing one of these mechanical stops. Using excess force to attempt to get the boom to exceed its normal adjustment range can cause the mechanism to jam. This may need disassembly to be repaired and may void the warranty.



IMPORTANT

DO NOT use an impact driver or “impact” setting on drill for telescopic boom adjustment. Using an impact driver can damage internal boom components and compromise operation of the crane.

NOTE: When using the optional OZ Lifting Products drill drive adapter for telescopic boom adjustment, it is recommended to use a drill set to the “drill” setting. Drill should have a minimum output torque of 50 ft. lb. for all TELE-PRO® davit crane models.

There are load rating decals on both sides of the telescoping section of the boom. These load ratings are for the crane itself at various extension points. On one side of the boom are the ratings for the horizontal position. On the other side of the boom are the ratings for the plus 45 degree position. These load rating decals do not take into account the amount of cable on the winch drum. Load ratings including the effects of cable on the winch drum are included on two decals, one on each side of the crane. Make sure to use the load ratings that correspond to the boom angle being used

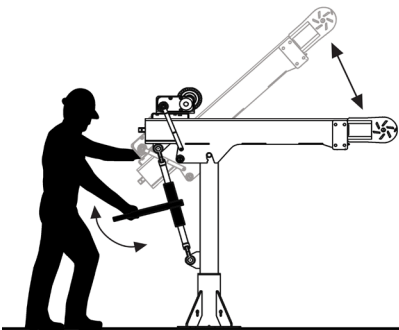


Figure 5.2

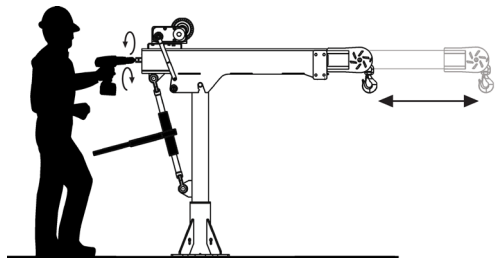




Figure 5.3


MAINTENANCE:

MAINTENANCE SAFETY INFORMATION

 **WARNING** Instructions are necessary before maintaining or servicing OZ Lifting Products equipment. Read and understand the operator's manual. Follow warnings and instructions in the operator's manual when making repairs, adjustments or servicing. Check for proper operation after adjustments, repairs, or service. Untrained operators and failure to follow instructions can cause injury or death.

 **WARNING** Replace any components that are worn or damaged.

 **WARNING** Improper maintenance can cause damage or failure of the machine. Possibly causing property damage and/or severe injury or death to nearby individuals.

 **CAUTION** Do not drill, weld or modify OZ Lifting Products components. Any modifications will void the warranty.

LUBRICATION

Some components are minimum maintenance and do not require service. Follow the chart for the components that require set service lubrication intervals.

Component(s)	Maintenance Task	Lubrication Type	Recommended Lubricant	Interval
Ratchet Binder	Apply Grease Through Zerk Fittings	Grease	High-Pressure Moly Grease	80 Hours OR 6 Months <i>(Whichever Comes First)</i>
Bearing Carriage	Lubricate The Bearing Carriage	Grease	Standard Grease	
Lead Screw	Apply Grease Through Zerk Fitting	Grease	High-Pressure Moly Grease	

*Refer to Parts Breakdown diagram on page 31 for zerk fitting locations.

CLEANING THE CRANE


The **TELE-PRO**® davit crane by OZ Lifting Products should be periodically cleaned to preserve its appearance and to prevent corrosion. The **TELE-PRO**® davit crane by OZ Lifting Products will last longer and perform better when it is kept clean and lubricated.

NOTE: No solvents should be used on any parts of the TELE-PRO® davit crane by OZ Lifting Products for cleaning or any other purpose.

 **CAUTION** The frame and component finishes are not warranted if equipment is installed in a wet environment or exposed to harsh cleaners or high-pressure wash downs.

Light Wash Down

Wipe the surfaces of the crane with a wet cloth. Detergents are not necessary. The steel surfaces should have a light film of oil applied to them to prevent corrosion. Remove any excess oil with a clean cloth.

 **CAUTION** No lubricants, solvents, or detergents of any kind should be applied to the brakes in the winch. If the brake pads get contaminated with oil, they may slip.

Cleaning Instructions

1. Wipe the surfaces of the crane with a wet cloth. Detergents are not necessary.
2. The steel surfaces should have a light film of oil applied to them to prevent corrosion.



No lubricants, solvents, or detergents of any kind should be applied to the brakes in the winch. If the brake pads get contaminated with oil, they may slip.

3. Remove any excess oil with a clean cloth.
4. Lubricate the bushing in the load sheave with a light coat of grease.
5. Lubricate the shaft bearing surfaces on the winch with a light coat of grease, taking care not to get any oil or grease on the brake pads of the winch.

INSPECTION:

In order to maintain quality operation of the product, a regular inspection schedule should be followed by each operator. All inspections should be reported and maintained in a dated record log. These records should be available to all personnel involved with the product and should be made available to OZ Lifting Products when a warranty issue is in question.

DEFINITIONS

Designated Person - The person who is selected or assigned as being competent to perform specific duties.

Qualified Person - The person that—by possession of a recognized degree or certificate of professional standing, or through extensive knowledge, training, and experience—has successfully demonstrated they are able to resolve problems relating to the subject matter and work.

Normal Service - Service that involves operation with randomly distributed loads within the rated load limit, or uniform loads less than 65% of rated load for not more than 15% of the time.

Heavy Service - Service that involves operation within the rated load limit and exceeds normal service.

Severe Service - Service that involves normal or heavy service with abnormal operating conditions. This also includes service that involves shock loading.

INSPECTION CLASSIFICATIONS

Frequent Inspections - Completed by the operator or designated person. Performed by doing a visual examination and listening for unusual sounds during operation. These inspections are usually performed before each operation, every few hours during operation, and if problems arise.

Periodic Inspections - Completed by a designated person. Performed, with more detail than a frequent inspection, by doing visual examinations of internal and external conditions. These inspections are done on the following schedule:

- **Normal Service** - Semi-annually
- **Heavy Service** - Quarterly
- **Severe Service** - Immediately after completion of lift
- Following prolonged storage or if operation issues arise

 **IMPORTANT**

Label crane as “Out of Service” if an inspection deems it damaged or if maintenance is required. Do not remove this label until a qualified person has resolved the issue. Discontinue use of wire rope and equipment if damage or overloading occurs.

IMPORTANT INSPECTION NOTES

 **IMPORTANT**

Brake winches require more than audible and visual inspection. Check brake winches daily by operating the crane with and without a load and by stopping at various positions to ensure safe operation. If the load coasts or creeps, contact the factory for friction disc replacements.

 **IMPORTANT**

Proper inspection may require disassembly of some parts. Contact the OZ Lifting Products factory before doing so or the applicable warranty may be voided.

 **IMPORTANT**

For wire rope inspections, please contact the specific manufacturer of the rope. The inspection provided in the following chart is for a general inspection only and is in no way the complete inspection required.

 **IMPORTANT**

Before operation, assure all deficiencies on the inspection chart are resolved and inspections are up to date. Refer to the troubleshooting chart for further assistance.

 **IMPORTANT**

Be aware of applicable codes and regulations for crane inspection.

 **IMPORTANT**

See specific winch owner’s manual for instructions and complete inspection instructions.

INSPECTION CHART

NOTE: Disassemble crane, including boom and winch, periodically to inspect each for damage. Use the following chart to determine what type of inspection is necessary. Frequent Inspection (F) and Periodic Inspection (P).

INSPECTION CHART			
Location	Check For	F	P
Crane	Damage, cracks, rust, chipping, dents excess wear, or corrosion.	X	
	Unusual sounds	X	
	Smooth load movements	X	
	Equipment properly lubricated	X	
	Signs of overloading (cracks, dents, or damage)		X
	Proper function when operated with a load equal to the load rating		X
Foundation	Good condition/supports the crane under all conditions	X	
	Level, no swerving of boom	X	
	Cracks, corrosion, damage (check by removing crane base from foundation)		X
Fasteners (including mounting fasteners)	Firmly installed	X	
	Properly tightened	X	
	Stripped threads, bent, or damage (check by removing crane from foundation)		X
Handle	Rotates freely in both directions	X	

NOTE: Please refer to the winch operator's manual for the winch inspection chart.

STORAGE:

For optimal performance and longevity, store the **TELE-PRO**® davit crane by OZ Lifting Products in a suitable environment.

- Select a clean, dry, and non-corrosive environment for storing the crane. Avoid damp locations, areas with high levels of dust or debris, or spaces where the crane might be exposed to chemicals. These conditions can accelerate corrosion and damage critical components.
- If storing the crane outdoors, it requires protection from the elements. Use a weatherproof crane cover designed to shield the crane from rain, snow, sun exposure, and wind. Leaving the crane exposed can lead to rust formation, deterioration of painted surfaces, and seizing of moving parts.
- Pay particular attention to the moving parts of the crane, such as the boom, winch handle, and hook. Consider covering these areas with a suitable cloth or utilizing manufacturer-recommended storage accessories to minimize dust accumulation and potential damage during storage.

Following these storage recommendations will help ensure the **TELE-PRO**® davit crane by OZ Lifting Products remains in optimal condition and functions reliably when needed.

REPAIR:

All repairs must have factory authorization. Contact OZ Lifting Products to prevent voiding of the two-year limited warranty and potential damage. Perform recommended inspections to identify which parts should be replaced. Only use OZ Lifting Products replacement parts. To order replacement parts, contact your local OZ Lifting Products dealer. Please have the serial number, part number and a description available when calling.

TROUBLESHOOTING CHART

TROUBLESHOOTING CHART		
Problem	Possible Cause	Correction
Braking distance too long	Discs are worn, damaged, or over lubricated	Replace
	Disc brake ratchet pawl damaged or worn	Replace
Excess wear on gears or bearings	Overloaded	Reduce load
	Improper lubrication	Re-lubricate
High pitched squeak	Improper lubrication	Re-lubricate
Grinding noise	Poorly spooled cable/cable diving into drum	Re-spool cable evenly under tension
	Dirty brakes or gears	Clean
	Broken gears or bearings	Replace
Rattling noise	Loose bolts, screws, fasteners	Tighten
Boom turns on its own	Foundation unlevel or insecure	Repair
	Mast bent or damaged	Repair
Boom bounces	Overloaded	Reduce load and inspect crane for damage
	Loose mounting bolts	Tighten to correct torque
	Foundation unlevel or insecure	Repair
	Winch gears worn or damaged	Repair
	Sheave worn or damaged	Repair

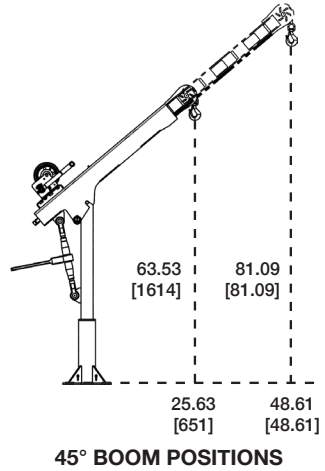
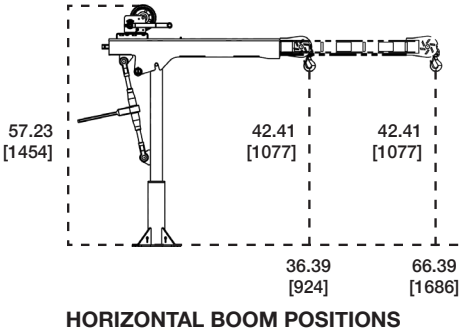
NOTE: Contact OZ Lifting Products LLC® if disassembly of the crane is required. The warranty will be voided if this is not done.

SPECIFICATIONS:

OZTP500DAV

Net weight: 109 lb./49 kg.
 Boom weight: 66 lb./30kg.
 Mast weight: 23 lb./10 kg.

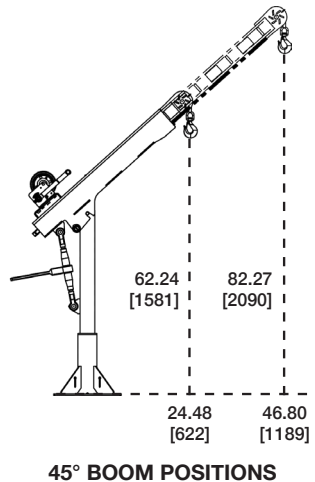
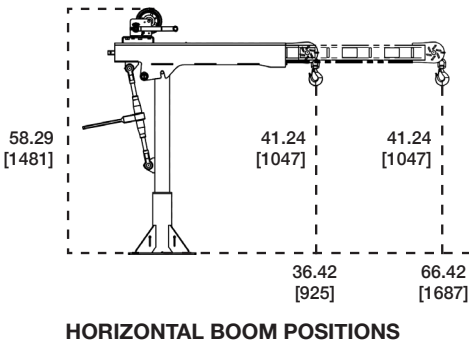
Figure 6.1



OZTP1200DAV

Net weight: 189 lb./86 kg.
 Boom weight: 135 lb./61kg.
 Mast weight: 34 lb./15 kg.

Figure 6.2



NOTE: All measurements are listed in inches [millimeters].
 Dimensions are for reference only and subject to change without notice.

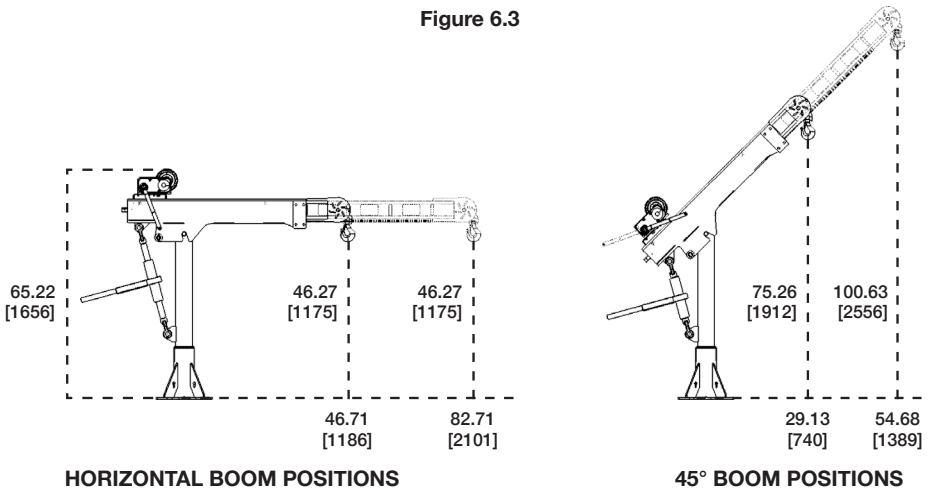
OZTP2500DAV

Net weight: 369 lb./167 kg.

Boom weight: 262 lb./119 kg.

Mast weight: 62 lb./28 kg.

Figure 6.3



NOTE: All measurements are listed in inches [millimeters].

Dimensions are for reference only and subject to change without notice.

TELE-PRO® DAVIT CRANE 360-DEGREE HOOK REACH SPECIFICATIONS
Sections are representative of hook reach in 360-degree rotation.

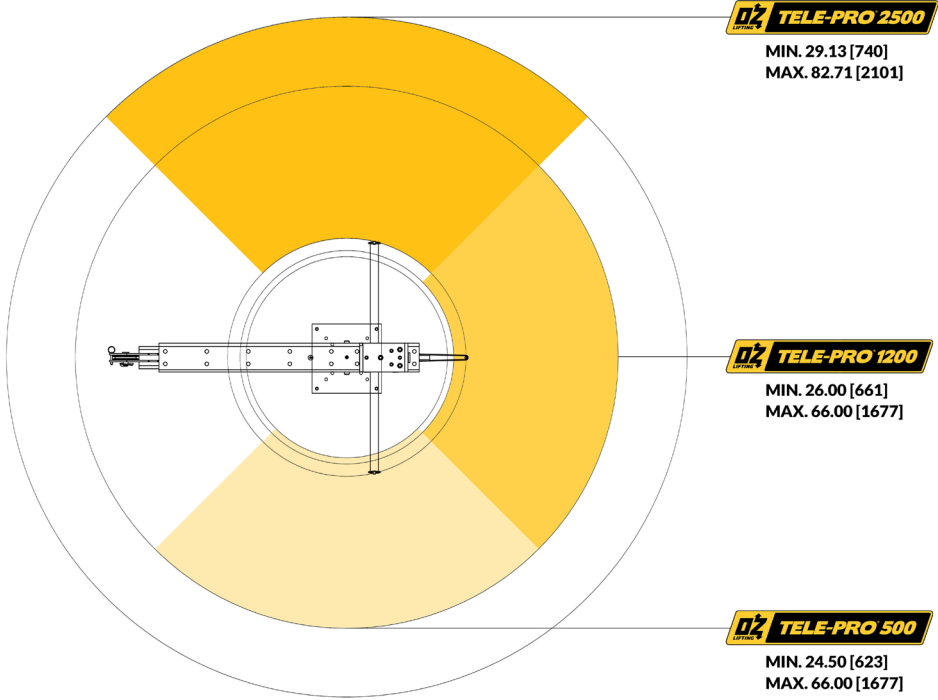


Figure 6.4


NOTE: All measurements are listed in inches [millimeters].
Dimensions are for reference only and subject to change without notice.

LOAD RATINGS:

NOTE: The boom is infinitely adjustable. For simplicity, ratings have been split into 4 positions.

OZTP500DAV LOAD RATINGS – Horizontal Boom Angle			
Load Ratings (lb.)	First Layer	Mid Drum	Full Drum
Boom Position 1 at 36"	500 lb.	500 lb.	500 lb.
Boom Position 2 at 46"	430 lb.	430 lb.	430 lb.
Boom Position 3 at 56"	350 lb.	350 lb.	350 lb.
Boom Position 4 at 66"	300 lb.	300 lb.	300 lb.
<i>*Based on 3/16 inch wire/synthetic rope</i>			

OZTP500DAV LOAD RATINGS – 45° Boom Angle			
Load Ratings (lb.)	First Layer	Mid Drum	Full Drum
Boom Position 1 at 23"	500 lb.	500 lb.	500 lb.
Boom Position 2 at 30"	500 lb.	500 lb.	500 lb.
Boom Position 3 at 37"	500 lb.	500 lb.	500 lb.
Boom Position 4 at 44"	450 lb.	450 lb.	450 lb.
<i>*Based on 3/16 inch wire/synthetic rope</i>			

 **IMPORTANT** Load ratings will vary depending on wire or synthetic rope length and diameter.

NOTE: Dimensions are for reference only and subject to change without notice.

NOTE: The boom is infinitely adjustable. For simplicity, ratings have been split into 4 positions.

OZTP1200DAV LOAD RATINGS – Horizontal Boom Angle

Load Ratings (lb.)	First Layer	Mid Drum	Full Drum
Boom Position 1 at 36"	800 lb.	800 lb.	550 lb.
Boom Position 2 at 46"	800 lb.	800 lb.	550 lb.
Boom Position 3 at 56"	750 lb.	750 lb.	550 lb.
Boom Position 4 at 66"	650 lb.	650 lb.	550 lb.

**Based on 3/16 inch wire rope*

OZTP1200DAV LOAD RATINGS – 45° Boom Angle

Load Ratings (lb.)	First Layer	Mid Drum	Full Drum
Boom Position 1 at 23"	800 lb.	800 lb.	550 lb.
Boom Position 2 at 30.25"	800 lb.	800 lb.	550 lb.
Boom Position 3 at 37.25"	500 lb.	800 lb.	550 lb.
Boom Position 4 at 44.5"	800 lb.	800 lb.	550 lb.

**Based on 3/16 inch wire rope*

OZTP1200DAV LOAD RATINGS – Horizontal Boom Angle

Load Ratings (lb.)	First Layer	Mid Drum	Full Drum
Boom Position 1 at 36"	1200 lb.	875 lb.	550 lb.
Boom Position 2 at 46"	900 lb.	875 lb.	550 lb.
Boom Position 3 at 56"	750 lb.	750 lb.	550 lb.
Boom Position 4 at 66"	650 lb.	650 lb.	550 lb.

**Based on 1/4 inch wire or 3/16 inch synthetic rope*

OZTP1200DAV LOAD RATINGS – 45° Boom Angle

Load Ratings (lb.)	First Layer	Mid Drum	Full Drum
Boom Position 1 at 23"	1200 lb.	875 lb.	550 lb.
Boom Position 2 at 30.25"	1200 lb.	875 lb.	550 lb.
Boom Position 3 at 37.25"	1100 lb.	875 lb.	550 lb.
Boom Position 4 at 44.5"	950 lb.	875 lb.	550 lb.

**Based on 1/4 inch wire or 3/16 inch synthetic rope*



IMPORTANT Load ratings will vary depending on wire or synthetic rope length and diameter.

NOTE: Dimensions are for reference only and subject to change without notice.

NOTE: The boom is infinitely adjustable. For simplicity, ratings have been split into 4 positions.

OZTP2500DAV LOAD RATINGS – Horizontal Boom Angle

Load Ratings (lb.)	First Layer	Mid Drum	Full Drum
Boom Position 1 at 46"	2000 lb.	2000 lb.	1500 lb.
Boom Position 2 at 58"	1900 lb.	1900 lb.	1500 lb.
Boom Position 3 at 70"	1600 lb.	1600 lb.	1500 lb.
Boom Position 4 at 82"	1300 lb.	1300 lb.	1300 lb.

**Based on 1/4 inch synthetic rope*

OZTP2500DAV LOAD RATINGS – 45° Boom Angle

Load Ratings (lb.)	First Layer	Mid Drum	Full Drum
Boom Position 1 at 28"	2000 lb.	2000 lb.	1500 lb.
Boom Position 2 at 37"	2000 lb.	2000 lb.	1500 lb.
Boom Position 3 at 45.5"	2000 lb.	2000 lb.	1500 lb.
Boom Position 4 at 54"	2000 lb.	2000 lb.	1500 lb.

**Based on 1/4 inch synthetic rope*

OZTP2500DAV LOAD RATINGS – Horizontal Boom Angle

Load Ratings (lb.)	First Layer	Mid Drum	Full Drum
Boom Position 1 at 46"	2500 lb.	2015 lb.	1500 lb.
Boom Position 2 at 58"	1900 lb.	1900 lb.	1500 lb.
Boom Position 3 at 70"	1600 lb.	1600 lb.	1500 lb.
Boom Position 4 at 82"	1300 lb.	1300 lb.	1300 lb.

**Based on 3/8 inch wire/synthetic rope or 5/16 inch synthetic rope*

OZTP2500DAV LOAD RATINGS – 45° Boom Angle

Load Ratings (lb.)	First Layer	Mid Drum	Full Drum
Boom Position 1 at 28"	2500 lb.	2015 lb.	1550 lb.
Boom Position 2 at 37"	2500 lb.	2015 lb.	1550 lb.
Boom Position 3 at 45.5"	2500 lb.	2015 lb.	1550 lb.
Boom Position 4 at 54"	2000 lb.	2000 lb.	1550 lb.

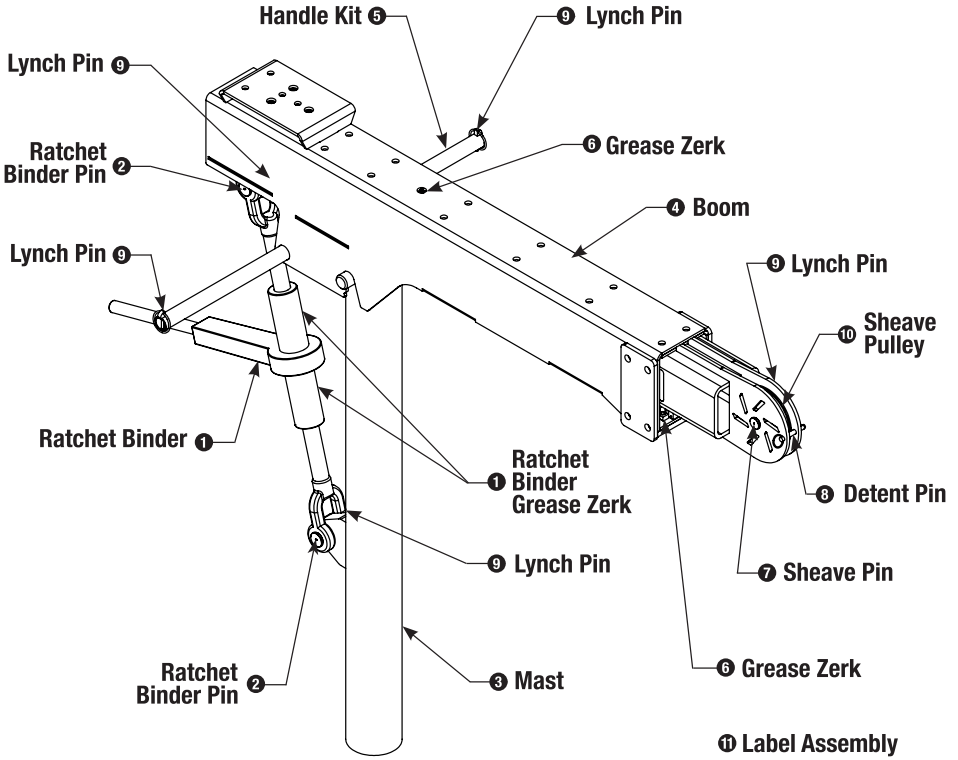
**Based on 3/8 inch wire/synthetic rope or 5/16 inch synthetic rope*



IMPORTANT Load ratings will vary depending on wire or synthetic rope length and diameter.

NOTE: Dimensions are for reference only and subject to change without notice.

PARTS BREAKDOWN:



PARTS BREAKDOWN					
	PART NAME	PART NUMBER			REPLACEMENT PART
		OZTP500DAV	OZTP1200DAV	OZTP2500DAV	
1	Ratchet Binder	TW-6067-10	TW-6067-10	TW-6068-12	Yes
2	Ratchet Binder Pin	TSD12102	TSD12102	TSD2013	Yes
3	Mast	OZ110070	OZ110069	OZ110068	Yes
4	Boom	OZ100028	OZ100032	OZ100029	Yes
5	Handle Kit	OZ120002	OZ120002	OZ120002	Yes
6	Grease Zerk	OZ240079	OZ240079	OZ240079	Yes
7	Sheave Pin	SD7012	SD7012	SD2012	Yes
8	Detent Pin	DRI-14	DRI-14	DRI-54	Yes
9	Lynch Pin	Hang-2	Hang-2	Hang-2	Yes
10	Sheave Pulley	DC10PC5000B	DC10PC5000B	SD2004	Yes
11	Label Assembly	200-0092	201-0092	202-0092	Yes

OZ LIFTING PRODUCTS TWO YEAR WARRANTY:

OZ Lifting Products, LLC® guarantees this product to be free of defects in materials and workmanship for two years from the date of shipment.

This Warranty Does NOT Cover:

This warranty does not apply to products that show signs of misuse, overloading, alteration, improper maintenance or negligence. The normal wear and tear of moving parts is excluded from the warranty. Moving parts are defined as brake discs, wire rope and other wear components that are subject to use conditions. This warranty does not cover any costs related to removal of this product, lost time, or any other incidental or consequential damages/costs resulting from the claimed defects.

Warranty Disclaimers/Limitations:

If this product fails during the first two years of operating due to defective materials or workmanship, it will be repaired or replaced at the discretion of OZ Lifting Products, LLC®.

Any product subject to a warranty claim must be returned, prepaid, to an authorized OZ Lifting Products, LLC® warranty depot along with proof of purchase. Upon repair, the product will be returned to the customer free of charge. If no defect is found, the customer will be responsible for return shipping costs. The product's warranty will be effective for the remainder of the original warranty period (two years from shipment date).

All OZ Lifting Products, LLC® manual and electric winches are subject to a one year limited warranty.

It is the operator's responsibility to ensure that the product is used in accordance with all applicable local codes, regulations, and safety standards. OZ Lifting Products, LLC® assumes no liability for any damages or injuries resulting from the improper use of the product.

OZ Lifting Products, LLC® will not be held liable for the following arising from the use of this product: injuries to persons or property, death, incidental, consequential, or contingent damages, whether negligent or deliberate. It is the sole responsibility of the owner to install and operate the product properly and safely.

This is OZ Lifting Products, LLC®'s only written warranty. This warranty is in lieu of all other warranties implied by law such as merchantability and fitness. The sale of products from OZ Lifting Products, LLC® under any other warranty or guarantee, expressed or implied, is not authorized.

NOTE: OZ Lifting Products, LLC® has the right to alter the design of or discontinue the production of any product without prior notice.

For more information please contact:



P.O. Box 845, Winona, MN 55987
Phone (800) 749-1064 • (507) 474-6250
Tech Support (507) 457-3346
Fax (507) 452-5217
sales@ozliftingproducts.com
www.ozliftingproducts.com



GRUE À BOSSOIR TÉLESCOPIQUE **TELE-PRO®**

CAPACITÉS DE 500, 1 200, 2 500 LB

MODÈLES :

OZTP500DAV
OZTP1200DAV
OZTP2500DAV

MISE EN GARDE

Lire le guide de l'opérateur attentivement avant de faire fonctionner ce produit. Garder ce manuel à portée de main à des fins de référence en tout temps pendant l'utilisation de ce produit.



P.O. Box 845, Winona, MN 55987
Téléphone +1 800 749-1064
+1 507 474-6250
Soutien technique +1 507 457-3346
Télécopieur +1 507 452-5217
sales@ozliftingproducts.com

TABLE DES MATIÈRES :

INTRODUCTION.....	3
Renseignements sur le propriétaire.....	3
RENSEIGNEMENTS ET EMPLACEMENTS DE GRUE À BOSSOIR.....	4
Plaque d'identification avec emplacement du code QR.....	4
Emplacements des étiquettes de machine.....	4
SÉCURITÉ.....	6
Renseignements généraux sur la sécurité.....	6
Lignes directrices.....	6
Symboles de sécurité.....	6
Mesures de sécurité.....	6
Avertissements de sécurité.....	7
Étiquettes de sécurité.....	8
Identification de l'étiquette.....	8
Étiquettes de sécurité de danger.....	8
Étiquettes de sécurité d'avertissement.....	8
Étiquettes de sécurité de mise en garde.....	8
Emplacements des étiquettes de sécurité.....	9
INSPECTION PRÉ-INSTALLATION.....	11
INSTALLATION DE LA BASE.....	11
ASSEMBLAGE DE LA GRUE.....	12
SCHÉMAS DE MONTAGE.....	13
Assemblage de la grue.....	13
Installation d'un treuil manuel.....	13
Installation d'un treuil électrique.....	13
Installation d'un collier de verrouillage à position unique.....	14
Installation d'un collier de verrouillage à positions multiples.....	14
INSTALLATION DU CÂBLE.....	15
Installation d'un câble métallique avec un raccord à extrémité à boulet sur un treuil manuel....	16
Installation d'un câble métallique avec un raccord à extrémité dénudée sur un treuil manuel....	16
Pour le câble synthétique.....	16
ESSAI SUR LE TERRAIN.....	16
PRÉPARATION AU FONCTIONNEMENT.....	17
Avertissements et mesures de sécurité.....	17
DIRECTIVES DE FONCTIONNEMENT.....	17
Température ambiante de fonctionnement.....	18
FONCTIONNEMENT DE LA FLÈCHE TÉLESCOPIQUE.....	18
Fonctionnement du tendeur à chaîne à rochet.....	19
Adaptateur d'entraînement de perçage.....	19
ENTRETIEN.....	20
Renseignements de sécurité d'entretien.....	20
Lubrification.....	20
Nettoyage de la grue.....	20
Lavage léger.....	20
Instructions de nettoyage.....	21
INSPECTION.....	21
Définitions.....	21
Classifications d'inspection.....	21
Remarques d'inspection importantes.....	22
Tableau d'inspection.....	23
ENTREPOSAGE.....	23
RÉPARATION.....	24
Tableau de dépannage.....	24
SPÉCIFICATIONS.....	25
Spécifications de la grue à bossoir à portée au crochet à 360 degrés TELE-PRO®.....	27
COTES DE CHARGE.....	28
VENTILATION DES PIÈCES.....	31
GARANTIE DE DEUX ANS OZ LIFTING PRODUCTS.....	32
FICHE D'ENTRETIEN.....	33

INTRODUCTION :

Renseignements sur le propriétaire

Nous vous remercions de votre décision d'acheter la grue à bossoir **TELE-PRO®** de OZ Lifting Products. Pour assurer des performances maximales de votre équipement, il est impératif d'étudier attentivement le manuel de l'opérateur et de suivre les recommandations. Un fonctionnement et un entretien appropriés sont essentiels pour maximiser la durée de vie de l'équipement et éviter les blessures.

Le but de ce manuel est de familiariser et d'informer l'opérateur.

La sécurité est d'une importance primordiale pour le propriétaire/opérateur et le fabricant. La première section de ce manuel comprend une liste de messages de sécurité qui, s'ils sont respectés, contribueront à protéger l'opérateur et les personnes présentes contre les blessures ou les accidents mortels. De nombreux messages de sécurité sont répétés tout au long du manuel. Le propriétaire/opérateur doit connaître ces messages de sécurité et être conscient des risques liés à l'utilisation et à l'entretien de cet équipement. Faire fonctionner et entretenir cet équipement en toute sécurité et conformément à tous les codes, réglementations et/ou lois locaux, d'État et fédéraux applicables. Suivre toutes les instructions et tout l'étiquetage sur le produit.

S'assurer que tout le personnel a lu ce manuel d'utilisation et qu'il comprend parfaitement les procédures d'utilisation, d'installation et d'entretien appropriées et sécuritaires.

Il incombe à l'opérateur de s'assurer que le produit est utilisé conformément à tous les codes, règlements et normes de sécurité locaux applicables. OZ Lifting Products, LLC n'assume aucune responsabilité pour tout dommage ou toute blessure résultant de l'utilisation inappropriée du produit.

OZ Lifting Products, LLC ® travaille continuellement à l'amélioration de ses produits. OZ Lifting Products, LLC ® se réserve le droit d'apporter toute amélioration ou modification jugée pratique et possible sans pour autant assumer la responsabilité ou l'obligation d'apporter des changements ou des ajouts à l'équipement vendu précédemment.

Bien que le plus grand soin ait été apporté à l'exactitude de cette publication, OZ Lifting Products, LLC® n'offre aucune garantie, écrite ou explicite, implicite ou autre, en ce qui concerne les informations contenues dans ce manuel. OZ Lifting Products, LLC ® n'assume aucune responsabilité pour les erreurs qui pourraient apparaître dans ce manuel et ne peut en aucun cas être tenue responsable des dommages accessoires, consécutifs ou punitifs liés à l'utilisation de ce manuel.

Conserver ce manuel pour pouvoir vous y référer fréquemment. Tous les nouveaux opérateurs ou propriétaires doivent consulter le manuel avant d'utiliser l'équipement et tous les ans par la suite. Ce manuel de l'opérateur est disponible sur notre site Web www.ozliftingproducts.com en formats numériques et multilingues. Communiquer avec OZ Lifting Products, LLC ® pour obtenir de l'aide, des renseignements ou des copies supplémentaires de ce manuel.



P.O. Box 845, Winona, MN 55987
Téléphone +1 800 749-1064 • +1 507 474-6250
Soutien technique +1 507 457-3346
Télécopieur +1 507 452-5217
sales@ozliftingproducts.com
www.ozliftingproducts.com

RENSEIGNEMENTS ET EMPLACEMENTS DE GRUE À BOSSOIR :

Plaque d'identification avec emplacement du code QR

Veiller à noter les informations relatives à vos produits OZ Lifting dans les espaces prévus ci-dessous pour référence future.

AVANT UTILISATION, REMPLIR LES INFORMATIONS CI-DESSOUS :	
N° de modèle.:	_____
N° de série :	_____
Date d'achat :	_____

Toujours utiliser le numéro de modèle et le numéro de série lorsque vous demandez des informations ou lorsque vous commandez des pièces.

Utiliser votre appareil mobile pour balayer le code QR. L'appareil mobile naviguera ensuite vers le site Web de OZ Lifting Products pour afficher les versions numériques et multilingues de ce manuel.

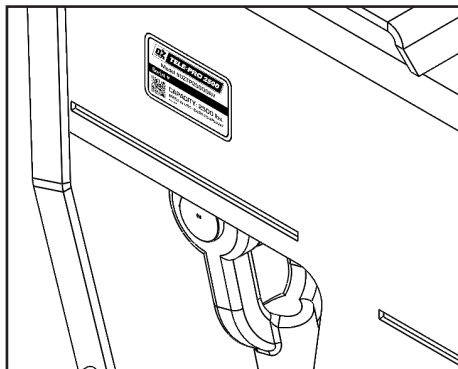


Figure 1.1

Emplacements des étiquettes de machine

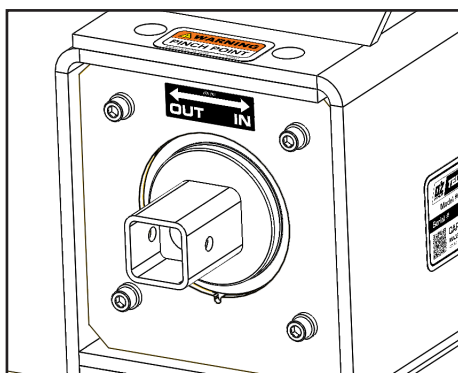


Figure 1.2

OZ LIFTING **TELE-PRO 2500**

OZ LIFTING **TELE-PRO 2500**

2000LB
45° ANGLE BOOM CAPACITY
907KG

2000LB
45° ANGLE BOOM CAPACITY
907KG

2500LB
45° ANGLE BOOM CAPACITY
1134KG

1300LB
HORIZONTAL BOOM CAPACITY
590KG

1600LB
HORIZONTAL BOOM CAPACITY
726KG

1900LB
HORIZONTAL BOOM CAPACITY
862KG

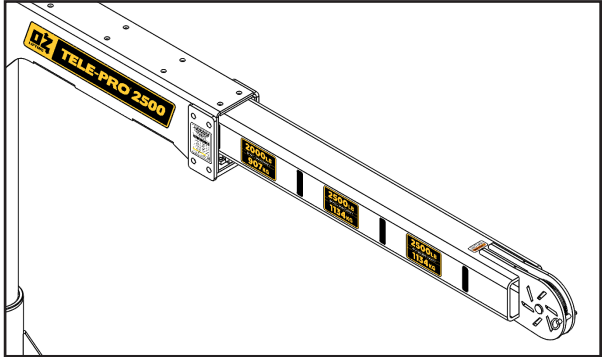


Figure 1.3

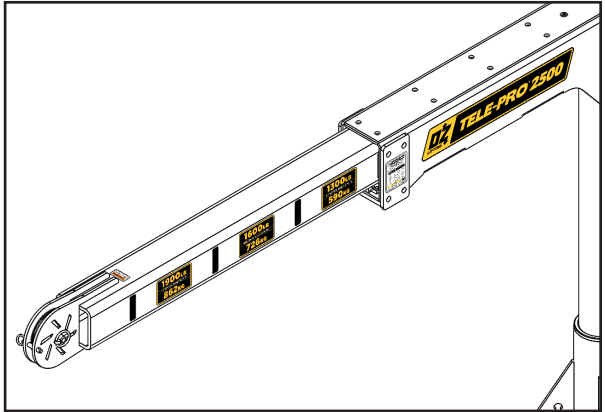
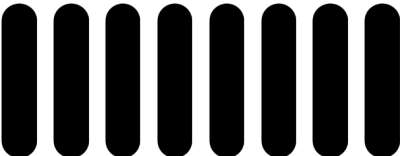


Figure 1.4



SÉCURITÉ :

RENSEIGNEMENTS GÉNÉRAUX SUR LA SÉCURITÉ

Lignes directrices

Ces renseignements généraux sur la sécurité servent de guide pour faire fonctionner l'équipement OZ Lifting Products correctement. Toute personne utilisant cet équipement doit lire et comprendre tous les manuels fournis avec la grue à bossoir **TELE-PRO®** de OZ Lifting Products.

Symboles de sécurité

Les mots DANGER, AVERTISSEMENT, MISE EN GARDE sont utilisés dans les messages de sécurité et les autocollants du manuel ou sur l'équipement. Les énoncés comportant l'un de ces mots indiquent qu'il existe un risque pour la sécurité. Veiller à respecter les précautions indiquées chaque fois qu'un symbole d'alerte à la sécurité est présent.



Ce symbole est utilisé pour attirer l'attention sur les instructions concernant la sécurité personnelle. S'assurer de bien suivre ces instructions. Prendre le temps d'être prudent!



Le mot DANGER apposé sur les équipements et dans le manuel identifie une situation dangereuse qui, si elle n'est pas évitée, ENTRAÎNERA la mort ou des blessures graves.



Le mot AVERTISSEMENT apposé sur les équipements et dans le manuel identifie une situation potentiellement dangereuse qui, si elle n'est pas évitée, POURRAIT entraîner la mort ou des blessures graves.



Le mot MISE EN GARDE apposé sur les équipements et dans le manuel identifie une situation potentiellement dangereuse qui, si elle n'est pas évitée, PEUT entraîner des blessures mineures ou modérées. Il peut également être utilisé pour avertir contre les manœuvres dangereuses.



Cette note indique les procédures qui doivent être suivies pour éviter d'endommager l'équipement.

MESURES DE SÉCURITÉ

Les renseignements contenus dans ce manuel s'appliquent à la grue à bossoir **TELE-PRO®** de OZ Lifting Products.

Ce manuel contient des instructions générales sur l'installation, le fonctionnement et l'entretien normaux du produit décrit aux présentes. Vous ne devez pas tenir pour acquis que les renseignements fournis préparent l'utilisateur pour toute circonstance possible.

Ce produit ne doit pas être installé, opéré ou entretenu par quiconque n'ayant pas lu ce manuel au complet. Si vous ne lisez pas ces instructions, avertissements ou limitations ou que vous ne vous y conformez pas, il pourrait y avoir blessures, morts ou dommages matériels.

Il incombe au propriétaire/à l'utilisateur d'installer, de mettre à l'essai, d'entretenir et de faire fonctionner ces produits conformément aux règlements de l'OSHA, ainsi qu'aux autres règlements fédéraux, d'État et locaux. Seules des personnes formées et qualifiées doivent faire fonctionner et entretenir ce produit.

Inspecter régulièrement la grue à bossoir **TELE-PRO®** de OZ Lifting Products pour déceler des signes d'usure, des étirements des trous, des fissures en surface, des gouges, des dommages ou toute condition anormale.

Les propriétaires du produit doivent planifier et consigner les inspections et entretiens réguliers effectués. Un tableau d'entretien est inclus au verso de ce livre. Indiquer le numéro de série et la date d'achat de votre grue à bossoir **TELE-PRO®** de OZ Lifting Products sur la couverture avant de ce manuel de référence.

Ne pas utiliser les grues à bossoir **TELE-PRO®** de OZ Lifting Products avec d'autres équipements à moins que les dispositifs de sécurité nécessaires soient en place. Toute modification apportée à ce produit doit être autorisée par le fabricant original.

AVERTISSEMENTS DE SÉCURITÉ

Si vous ne lisez pas les avertissements suivants et que vous ne vous y conformez pas, il peut y avoir des situations dangereuses qui pourraient causer la mort, des blessures graves ou des dommages matériels. Garder ce manuel à votre portée en tout temps. Ne pas enlever, ne pas modifier ou ne pas obscurcir les étiquettes attachées au treuil. Contacter OZ Lifting Products pour des manuels et des étiquettes de rechange.



Si vous ne lisez pas les avertissements suivants et que vous ne vous y conformez pas, il peut y avoir des situations dangereuses qui pourraient causer la mort, des blessures graves ou des dommages matériels.

- NE PAS** faire fonctionner un produit endommagé ou qui ne fonctionne pas correctement.
- NE PAS** lever des personnes.
- NE PAS** lever des charges au-dessus des personnes.
- NE PAS** faire fonctionner tant que le personnel n'a pas été averti de l'approche des charges et n'a pas été évacué de la zone.
- NE PAS** laisser une charge suspendue sans surveillance.
- NE PAS** mettre vos mains là où il y a des pièces en mouvement telles que poulies, câbles métalliques et engrenages.
- NE PAS** faire fonctionner si les dispositifs de sécurité sont mal installés ou ont été retirés.
- NE PAS** ajuster la grue au-delà de la capacité de charge nominale. Voir les spécifications de charge nominale à la page 28.
- NE PAS** ajuster la grue pour qu'elle devienne surchargée pendant le levage.
- NE PAS** abaisser la flèche sous l'horizontale.
- NE PAS** faire fonctionner sans que le câble métallique ait été enroulé au moins quatre (4) fois autour du tambour d'extrémité du treuil.
- NE PAS** lever plus que la capacité de charge de la grue ou des composants qui y sont fixés.
- NE PAS** utiliser de grues supplémentaires pour déplacer une charge qui dépasse la capacité de charge d'une seule des grues utilisées. Un changement de charge pourrait surcharger les composants.
- NE PAS** modifier l'équipement ou l'utiliser pour différentes fonctions.
- NE PAS** utiliser de dispositifs ou de méthodes de montage non approuvés avec cette grue.
- NE PAS** ajuster le frein du treuil lorsque la charge est suspendue.
- NE PAS** ajuster le tendeur à chaîne à rochet au-delà de ses limites de course. Le tendeur à chaîne à rochet doit être centré avant l'utilisation.
- NE PAS** enlever, dégrader ou obscurcir les étiquettes d'avertissement.
- NE PAS** laisser la charge se balancer ou ne pas la secouer. Exploiter en douceur pour éviter les charges de choc.
- NE PAS** lever une charge qui ne se trouve pas directement sous la grue. Ce produit n'est pas conçu pour tirer une charge latéralement.
- NE PAS** supposer que la cheville d'essieu est bien fixée par une inspection visuelle seulement. S'assurer d'un ajustement sûr en écoutant pour un dé clic lorsque vous fermez la cheville d'essieu.
- NE PAS** utiliser des fixations de diamètre inférieur. Utiliser seulement les fixations fournies avec la grue.
- NE PAS** présumer la compatibilité des accessoires. Consulter les recommandations du fabricant et s'assurer de la conformité aux réglementations locales pour une utilisation sécuritaire.
- NE PAS** faire fonctionner sans que le câble métallique soit bien fixé au tambour d'extrémité du treuil.
- NE PAS** faire fonctionner sans avoir vérifié la lubrification.
- NE PAS** utiliser de chaînes, de câbles ou d'appareils rigides pour lever la grue. Utiliser plutôt des élingues en nylon ou autres matières synthétiques.

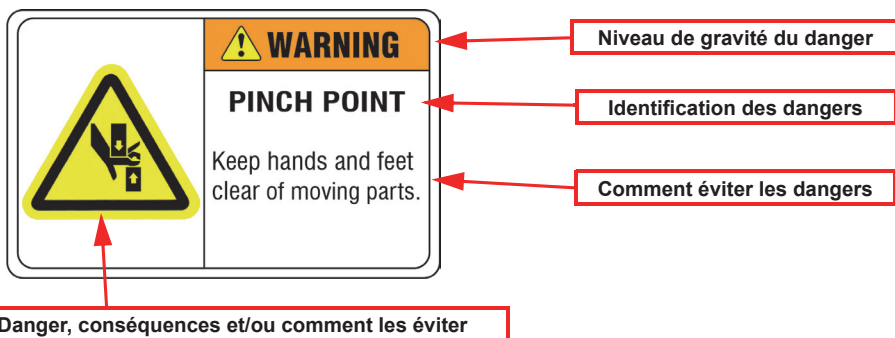
ÉTIQUETTES DE SÉCURITÉ

Identification de l'étiquette

Des étiquettes de sécurité sont apposées sur l'équipement ainsi que sur les composants de l'équipement pour protéger toute personne travaillant sur ou autour de cet équipement. Tout le personnel qui utilise ou entretient cet équipement doit se familiariser avec les étiquettes de sécurité.

Les étiquettes de sécurité sont codées par couleur pour avertir l'opérateur des différents niveaux de dangers de la machine. L'exemple d'étiquette de sécurité ci-dessous définit une étiquette standard de l'industrie.

S'assurer que toutes les étiquettes de sécurité sont en place et clairement lisibles. Remplacer toute étiquette de sécurité endommagée ou manquante par une étiquette de remplacement d'usine.



Étiquettes de sécurité des danger



Si vous ne lisez pas les avertissements suivants et que vous ne vous y conformez pas, il peut y avoir des situations dangereuses qui pourraient causer la mort, des blessures graves ou des dommages matériels.

Étiquettes de sécurité d'avertissement



Le mot AVERTISSEMENT apposé sur les équipements et dans le manuel identifie une situation potentiellement dangereuse qui, si elle n'est pas évitée, POURRAIT entraîner la mort ou des blessures graves.

Étiquettes de sécurité de mise en garde



Le mot MISE EN GARDE apposé sur les équipements et dans le manuel identifie une situation potentiellement dangereuse qui, si elle n'est pas évitée, PEUT entraîner des blessures mineures ou modérées. Il peut également être utilisé pour avertir contre les manœuvres dangereuses.

⚠ WARNING

FAILURE TO COMPLY WITH THE FOLLOWING WARNINGS MAY RESULT IN A HAZARDOUS SITUATIONS THAT COULD LEAD TO DEATH, SERIOUS INJURY, OR PROPERTY DAMAGE.

DO NOT operate a damaged or malfunctioning product.
 DO NOT lift people.
 DO NOT lift loads over people.
 DO NOT operate until personnel are warned of approaching loads and are cleared from the area.
 DO NOT do not leave a suspended load unattended.
 DO NOT put hands in areas with moving parts including sheaves, wire rope, boom, and gears.
 DO NOT operate if guards are improperly installed or removed.
 DO NOT adjust crane beyond rated load capacity. See load rating decal for specifications.
 DO NOT adjust crane so that it becomes overloaded during the lift.
 DO NOT lower the boom past horizontal position.
 DO NOT operate without assuring wire rope is securely attached to the winch drum.
 DO NOT operate without at least four (4) anchor wraps of wire rope around the winch drum to prevent rope from loosening and the load from falling.
 DO NOT lift more than the rated load of the crane nor that of attached components.
 DO NOT use additional cranes to move a load that is heavier than the load rating of a single crane being utilized. A load shift could overload the components.
 DO NOT modify the equipment or use for different functions.
 DO NOT use unapproved rigging devices or methods with this crane.
 DO NOT adjust ratchet jack while load is suspended.
 DO NOT adjust ratchet jack beyond its travel limits. Ratchet jack should be centered before use.
 DO NOT remove, deface, or obscure warning labels.
 DO NOT assume compatibility of attachments.
 See manufacturer's recommendations and ensure compliance with local regulations for safe use.

⚠ WARNING

TO AVOID RISK OF ACCIDENTS OR INJURY:
 DO NOT lift people.
 DO NOT lift loads over people.

⚠ WARNING

ENSURE LYNCH PIN SNAPS AGAINST SHAFT FOR PROPER SECURITY

⚠ CAUTION

DO position the load's center line vertically from the crane's outer boom pulley.
 DO operate smoothly to avoid shock loads.
 DO NOT allow load to swing or jerk.
 DO NOT operate with load pulling or dragging.

⚠ WARNING

*THREADING SHOULD BE EQUAL ON BOTH SIDES

DO NOT ADJUST RATCHET BINDER BEYOND TRAVEL LIMITS:
 Ratchet binder should be centered before use.

⚠ CAUTION

TO AVOID RISK OF ACCIDENTS OR INJURY:
 DO NOT lower the boom beyond horizontal position.

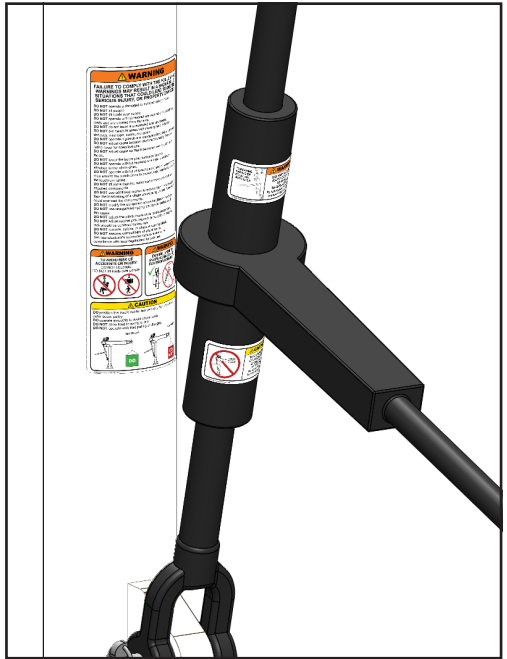


Figure 2.1

OZ TELE-PRO 2500
LIFTING

LOAD RATING
OZTP2500DAV
45° Boom Angle

Based on 3/8 inch synthetic rope. Boom is infinitely adjustable.
For simplicity, ratings have been split into four positions.

BOOM POSITION	FIRST LAYER	MID DRUM	FULL DRUM
28 in [711 mm]	2500 lb [1134 kg]	2015 lb [914 kg]	1550 lb [703 kg]
37 in [940 mm]	2500 lb [1134 kg]	2015 lb [914 kg]	1550 lb [703 kg]
45.50 in [1156 mm]	2500 lb [1134 kg]	2015 lb [914 kg]	1550 lb [703 kg]
54 in [1372 mm]	2000 lb [907 kg]	2000 lb [907 kg]	1550 lb [703 kg]

CAUTION
Maximum load rating capacity will vary depending on rope length and diameter, and winch. Please reference operator's manual for more information.

ozliftingproducts.com | 800-749-1064 #200-0918

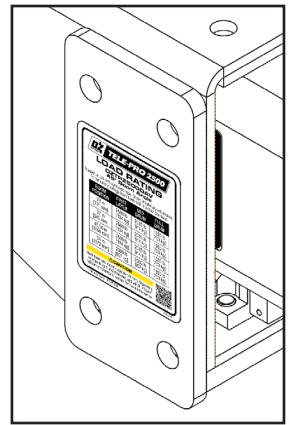


Figure 2.2

OZ TELE-PRO 2500
LIFTING

LOAD RATING
OZTP2500DAV
Horizontal Boom Angle

Based on 3/8 inch synthetic rope. Boom is infinitely adjustable.
For simplicity, ratings have been split into four positions.

BOOM POSITION	FIRST LAYER	MID DRUM	FULL DRUM
46 in [1168 mm]	2500 lb [1134 kg]	2015 lb [914 kg]	1550 lb [703 kg]
58 in [1473 mm]	1900 lb [862 kg]	1900 lb [862 kg]	1550 lb [703 kg]
70 in [1778 mm]	1600 lb [726 kg]	1600 lb [726 kg]	1550 lb [703 kg]
82 in [2083 mm]	1300 lb [590 kg]	1300 lb [590 kg]	1300 lb [590 kg]

CAUTION
Maximum load rating capacity will vary depending on rope length and diameter, and winch. Please reference operator's manual for more information.

ozliftingproducts.com | 800-749-1064 #200-0917

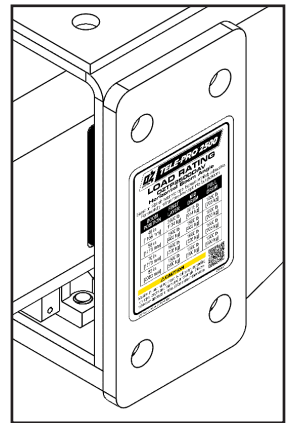


Figure 2.3

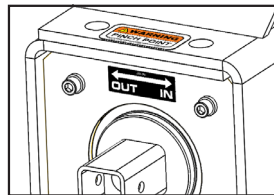


Figure 2.4

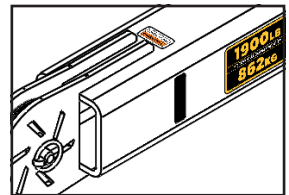


Figure 2.5

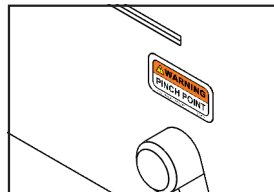


Figure 2.6

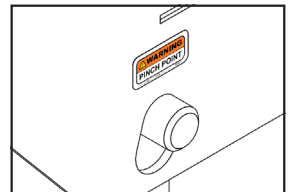


Figure 2.7



INSPECTION PRÉ-INSTALLATION :

Vérifier s'il y a eu des dommages en cours d'expédition. Ne pas installer ou ne pas utiliser un produit endommagé. S'assurer de conserver des dossiers de renseignements sur le produit et de contacter votre concessionnaire OZ Lifting Products en cas de problème. Consulter les codes et les règlements en vigueur avant d'installer l'équipement. Contacter un professionnel qualifié quant aux spécifications de structure et de fondation avant de faire l'assemblage du produit.

Avant d'installer, sélectionner un endroit où la grue est :

- Visible tout au long de son fonctionnement.
- Sans circulation qui pourrait nuire au fonctionnement.
- Positionnée pour que l'opérateur soit à l'écart de la charge et de la trajectoire du câble.
- Facile à entretenir.
- Fixée sur une fondation robuste et de niveau qui peut la supporter, quelles que soient les conditions.
- À l'écart de tout matériau corrosif, inflammable, explosif ou dommageable.

Inspecter la grue pour s'assurer qu'aucune pièce ne manque ou n'a été endommagée. Ne pas jeter les emballages d'expédition, ils peuvent être réutilisés si jamais la grue devait être remballée. Communiquer avec votre concessionnaire OZ Lifting Products en cas de problème.

S'assurer que tous les composants, y compris l'attache sur laquelle repose la poulie de levage, sont bien lubrifiés avant de commencer l'assemblage. Voir la section Entretien à partir de la page 20.

Au cours de l'assemblage, effectuer une inspection de tous les composants et résoudre les problèmes éventuels. Cela permettra d'établir un point de référence pour les inspections ultérieures.

INSTALLATION DE LA BASE :

REMARQUE : Les bases accompagnant les grues à bossoir TELE-PRO® de OZ Lifting Products sont vendues séparément par les concessionnaires OZ Lifting Products. Elles sont nécessaires pour que ce produit fonctionne convenablement.

La base de la grue **TELE-PRO® 500** – OZTP500DAV doit être bien fixée à la fondation au moyen de fixations de ½ po de classe 5. Appliquer un couple recommandé par le fabricant de la fixation/l'ancrage.

La base des grues **TELE-PRO® 1200** – OZTP1200DAV et **TELE-PRO® 2500** – OZTP2500DAV doit être solidement fixée à la fondation à l'aide de fixations de 5/8 po de classe 5. Appliquer un couple recommandé par le fabricant de la fixation/l'ancrage.

S'assurer que la surface de montage se trouve directement sur une fondation robuste, de niveau et solide qui supportera la grue, quelles que soient les circonstances.

Les produits non standards modifiés peuvent devoir être fixés autrement que ce qu'indique la conception originale. Contacter votre concessionnaire OZ Lifting Products pour en savoir plus.

ASSEMBLAGE DE LA GRUE :

Veiller à consulter la Figure 3.1 à la page 13 avant d'assembler la grue.

Les étapes suivantes présentent les étapes physiques requises pour assembler la grue à bossoir **TELE-PRO**® de OZ Lifting Products. Certaines de ces grues peuvent être trop lourdes pour être assemblées par une seule personne. Veiller à utiliser des personnes additionnelles et/ou des équipements de montage pour assembler des composants de grue jugés trop lourds pour la manipulation par une seule personne.



IMPORTANT

Les fixations ne doivent pas être trop serrées en cours d'assemblage, car cela peut abîmer les filets et causer des dommages. Les deux fixations portant le signe « #2 » sont identiques. Les deux sont nécessaires pour l'assemblage.

Une fois que la base OZ Lifting Products LLC® est installée, assembler la grue en suivant les étapes suivantes :

1. Installer le mât dans la base. Le mât glissera facilement dans la base (aucun outil requis). S'assurer que le mât est bien positionné sur l'attache au fond de la base. Cela peut être confirmé en déplaçant le mât d'un côté à l'autre pour vérifier qu'il n'y a pas trop de jeu à la base. Le mât doit être bien ajusté. S'assurer que la poignée d'ajustement de la hauteur est orientée vers l'arrière.

2. Placer la flèche sur le mât au moyen du « Smart Latch », un système de raccord rapide de OZ Lifting Products. S'assurer que l'orientation de la flèche est correcte par rapport au mât : l'extrémité treuil de la flèche doit se trouver sur le point de fixation du tendeur à chaîne à rochet sur le mât. La flèche doit être tournée légèrement de sorte que le trou rectangulaire puisse être accroché à une extrémité de l'attache supérieure du mât. Remettre la flèche à l'horizontale en la tournant pour engager l'autre extrémité de l'attache supérieure du mât.



MISE EN GARDE

Si vous lâchez la flèche à ce moment-ci, la flèche pourrait pivoter vers le bas jusque dans le mât. Vous pourriez vous blesser et/ou endommager le produit.

3. Attacher une extrémité de la poignée du tendeur à chaîne à rochet à la poignée de montage sur la flèche. Aligner les trous dans la poignée du tendeur à chaîne à rochet avec le trou dans la poignée de montage et insérer l'axe à épaulement n° 2. Fixer avec une cheville d'essieu.

4. Attacher l'autre extrémité de la poignée du tendeur à chaîne à rochet à la poignée de montage sur le mât de la grue. Aligner les trous dans la poignée du tendeur à chaîne à rochet avec le trou dans la poignée de montage et insérer le 2e axe à épaulement n° 2. Fixer avec une cheville d'essieu.

REMARQUE : Les grues à bossoir TELE-PRO® de OZ Lifting Products sont expédiées partiellement assemblées en usine. Les étapes suivantes servent à des fins de référence seulement, au cas où le produit devrait être réassemblé.

5. Faire glisser le réa de la poulie dans le capuchon de la flèche depuis le haut ou le bas. Aligner les trous sur le réa de la poulie avec ceux sur la flèche. Insérer l'axe à épaulement n° 1 et fixer avec une cheville d'essieu.

6. Centrer le treuil sur les trous de montage sur le dessus de la flèche. Le tambour doit être tourné vers le réa de la poulie. Fixer le treuil à la flèche dans la position de montage la plus avancée ou dans l'ensemble de trois trous les plus proches de la poulie. Il y a deux motifs de boulons sur la flèche. Le plus petit est pour le treuil à bras.

REMARQUE : Le désassemblage est l'inverse de l'assemblage. Il n'est pas nécessaire de désassembler complètement la grue pour la transporter.

SCHEMAS DE MONTAGE :

Assemblage de la grue

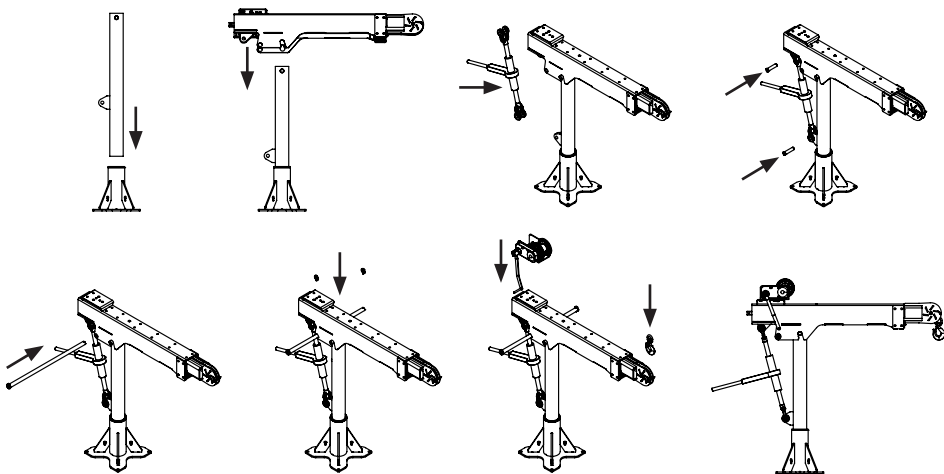


Figure 3.1

REMARQUE : Il n'est pas normalement nécessaire de désassembler davantage le mécanisme de rétraction/d'extension de la flèche. S'il est nécessaire de désassembler complètement les composants internes de la flèche, veiller à contacter le fabricant. Tout retrait non autorisé des composants internes de la flèche annulera la garantie.

Installation d'un treuil manuel

S'applique aux numéros de pièce : OZWINHND1, OZWINHND2

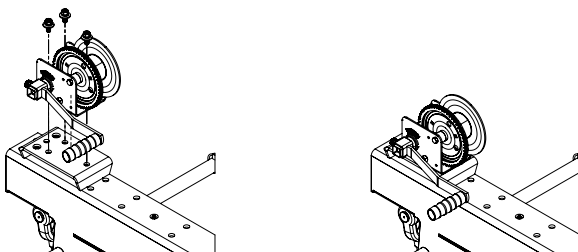


Figure 3.2

Installation d'un treuil électrique

S'applique aux numéros de pièce : OZACW, OZDCW

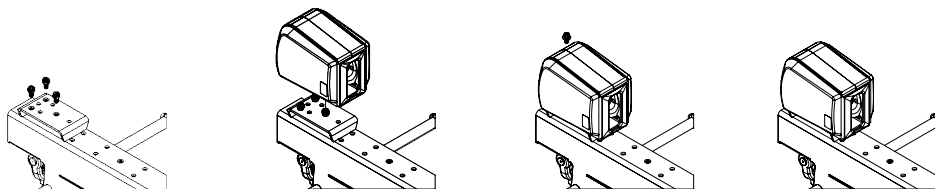


Figure 3.3

Installation d'un collier de verrouillage à position unique

S'applique aux numéros de pièce : OZ100020, OZ100021, OZ100022, OZ100023, OZ100025

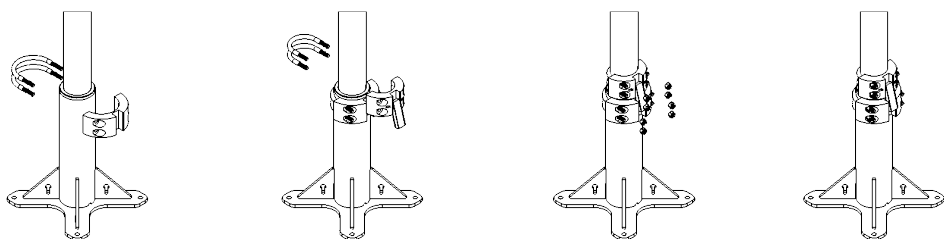


Figure 3.4

Installation d'un collier de verrouillage à positions multiples

S'applique aux numéros de pièce : LC1, LC2, LC3, LC4

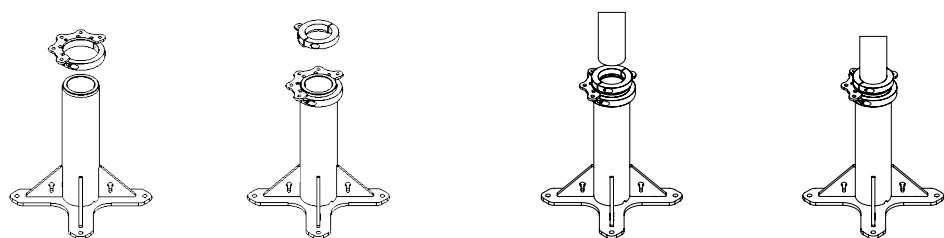


Figure 3.5

INSTALLATION DU CÂBLE :

L'assemblage des câbles OZ Lifting Products qui peut être commandé avec la grue à bossoir **TELE-PRO®** de OZ Lifting Products compte un boulet estampé pour en faciliter l'assemblage.

Il est également possible d'utiliser un câble dénudé standard. Le matériel pour installer le câble dénudé est inclus. Veiller à consulter le manuel du propriétaire du treuil annexé pour les instructions d'installation du câble dénudé.

Pour installer le câble fourni par OZ Lifting Products avec l'extrémité à boulet estampé :

1. Étendre le câble sur une surface plane pour vous assurer qu'il n'y a pas de tortillons ou de boucles.
2. Repérer l'extrémité du câble où se trouve le boulet.
3. Repérer « l'ouverture » dans le tambour d'extrémité du treuil où sera logé l'extrémité à boulet du câble.
4. Insérer l'extrémité à boulet du câble dans le réa de la poulie de levage et le tirer vers le treuil. La goupille de retenue de câble pourrait devoir être retirée de l'extrémité de la flèche pour que le boulet passe par-dessus la poulie.
5. Insérer le raccord de l'extrémité à boulet dans « l'ouverture » du treuil.
6. S'assurer que l'extrémité à boulet du câble glisse dans la fente du « l'ouverture » et qu'on ne peut pas le retirer.
7. Enrouler manuellement le câble autour du tambour d'extrémité du treuil au moins quatre fois. Le câble doit être enroulé au moins quatre fois autour du tambour d'extrémité du treuil en tout temps. (Voir la Figure 4.1)
8. Installer l'attache de retenue de câble en l'insérant dans les trous à la pointe de la flèche.

REMARQUE : Pour s'assurer de pouvoir enrouler autant de câble qu'il faut sur le treuil, le câble doit être bien enroulé autour du tambour d'extrémité du treuil. S'il n'est pas possible de bien enrouler le câble autour du tambour d'extrémité du treuil, la capacité du câble sera réduite et plus de force devra être exercée sur la poignée. Si le câble n'est pas bien enroulé, il peut prendre 30 % plus d'espace sur le tambour d'extrémité du treuil, réduisant ainsi la capacité du câble.

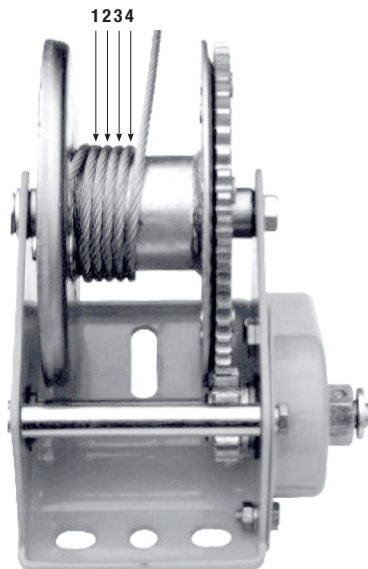
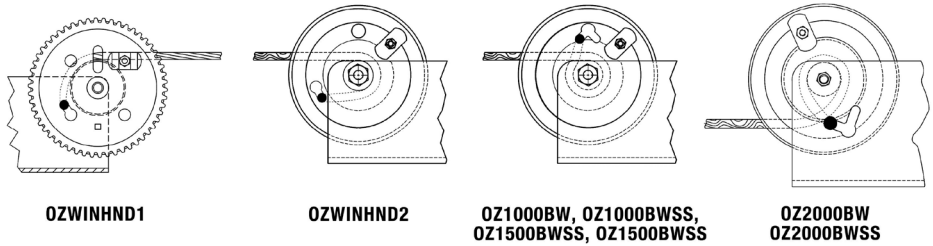


Figure 4.1

Installation d'un câble métallique avec un raccord à extrémité à boulet sur un treuil manuel

S'applique aux numéros de pièce OZWINHND1, OZWINHND2, OZ1000BW, OZ1000BWSS, OZ1500BWSS, OZ1500BWSS, OZ2000BW, OZ2000BWSS lors de l'installation d'un câble métallique avec un raccord à extrémité à boulet.

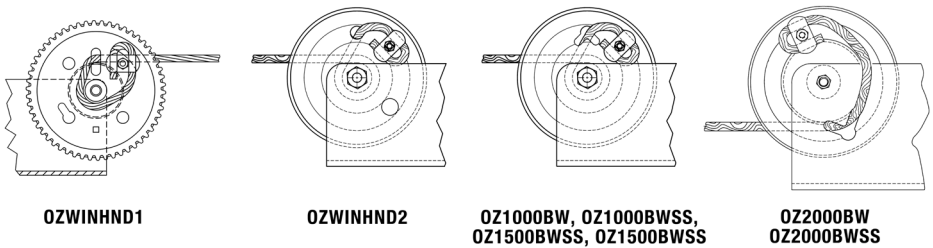
Figure 4.2



Installation d'un câble métallique avec un raccord à extrémité dénudée sur un treuil manuel

S'applique aux numéros de pièce OZWINHND1, OZWINHND2, OZ1000BW, OZ1000BWSS, OZ1500BWSS, OZ1500BWSS, OZ2000BW, OZ2000BWSS lors de l'installation d'un câble métallique sans un raccord à extrémité à boulet.

Figure 4.3



Pour le câble synthétique

Il y aura une boucle tressée dans chaque extrémité du câble. Installer le câble de la même façon qu'un câble dénudé en plaçant cette boucle sur le boulon de retenue et fixer avec la rondelle estampée et l'écrou auto-freiné.

REMARQUE : Des câbles à base synthétique doivent être enroulés 8 fois en tout temps.

ESSAI SUR LE TERRAIN :

Il n'existe pas de norme ASME pour les grues à bossoir. Le coefficient de sécurité minimum des grues à bossoir OZ Lifting Products est de 3:1. Nous effectuons des essais individuels de charge et nous certifions chaque grue à bossoir à 125 % de la capacité nominale. Un certificat d'essai qui comprend le numéro de série et une photo du bossoir sous charge est généré. Si un essai de charge est requis sur place, nous recommandons de communiquer avec un ingénieur civil pour déterminer si la base a été adéquatement montée à un endroit sécurisé. Nous fournissons les renseignements sur le moment où une base se détacherait des boulons de fixation.

PRÉPARATION AU FONCTIONNEMENT :

AVERTISSEMENTS ET MESURES DE SÉCURITÉ



Si vous ne lisez pas les avertissements suivants et que vous ne vous y conformez pas, il peut y avoir des situations dangereuses qui pourraient causer la mort, des blessures graves ou des dommages matériels.

Les opérateurs doivent lire et comprendre l'intégralité de ce manuel et tous les avertissements sur la grue de OZ Lifting Products avant de la faire fonctionner. Si on ne lit pas ce manuel et qu'on ne s'y conforme pas, il pourrait y avoir blessures et dommages. Pour toute question liée au fonctionnement, veiller à contacter votre concessionnaire OZ Lifting Products.

Avant de faire fonctionner la grue, s'assurer que toutes les pièces sont propres et bien lubrifiées. La grue doit être en bon état et les dossiers d'entretien doivent être à jour avant de la faire fonctionner. La zone de fonctionnement ne doit contenir aucune matière inflammable.

Vous devez rester équilibré pendant que vous faites fonctionner la grue. S'assurer que la grue est bien fixée à une fondation robuste, de niveau et solide avant de la faire fonctionner. Lever une charge graduellement, vous assurant qu'elle est bien supportée et équilibrée avant de continuer.

Tous les opérateurs **DOIVENT** :

- Être formés quant au bon fonctionnement de la grue et à la prise en charge des défaillances potentielles.
- Ne pas utiliser d'alcool, de médicaments ou de drogues pendant le fonctionnement de la grue.
- Avoir une bonne coordination et une bonne vision et éviter de travailler lorsque fatigués ou distraits.
- Inspecter les composants du système.
- Éviter le fonctionnement si l'opérateur a un historique de crises ou autres troubles médicaux qui risquent de nuire au fonctionnement de la grue.
- Connaître leur charge et s'assurer de ne pas dépasser la charge nominale de la grue ou de tout autre composant du système.
- Garder le crochet de chargement centré sur la charge. Éviter les tractions latérales qui pourraient endommager la grue ou blesser l'opérateur si la charge bascule.

DIRECTIVES DE FONCTIONNEMENT :

La grue **TELE-PRO® 500** de OZ Lifting Products compte une capacité de fonctionnement maximale de 500 lb.
La grue **TELE-PRO® 1200** de OZ Lifting Products compte une capacité de fonctionnement maximale de 1 200 lb.
La grue **TELE-PRO® 2500** de OZ Lifting Products compte une capacité de fonctionnement maximale de 2 500 lb.

La grue à bossoir **TELE-PRO®** de OZ Lifting Products est dotée d'une flèche pouvant être réglée pendant qu'elle est chargée. Cet ajustement pourrait modifier la capacité de charge des grues. Revérifier la capacité de charge de la grue dans chaque position de fonctionnement qui sera utilisée pendant le levage pour s'assurer que la grue ne sera pas surchargée.

La grue à bossoir **TELE-PRO®** de OZ Lifting Products peut produire une puissance supérieure à cette capacité de charge, mais vous ne devez jamais vous en servir.

REMARQUE : Il incombe à l'utilisateur de s'assurer que les charges levées respectent les limites de fonctionnement de la grue à bossoir TELE-PRO® de OZ Lifting Products en tout temps. Les charges de choc doivent être minimisées vu qu'elles peuvent exiger des puissances au-delà de la capacité de charge de la grue à bossoir TELE-PRO® de OZ Lifting Products.

Un tableau des capacités de charge se trouve à la p. 28-30, ainsi que sur les deux côtés de la grue à bossoir **TELE-PRO®** de OZ Lifting Products elle-même. Ces capacités de charge représentent la capacité de charge de la flèche dans la position horizontale ainsi que dans la position de 45 degrés. Ces tableaux de charge sont calculés

en fonction de l'extension de la flèche de la grue ainsi que de la quantité de câble enroulé autour du tambour d'extrémité du treuil. La quantité de câble enroulé sur le treuil durant un levage va changer (surtout un levage long) et aura un impact sur la capacité de charge.

AVERTISSEMENT

Il incombe à l'utilisateur de déterminer la longueur de câble qui peut être enroulé sur le treuil à tout moment du levage et le poids de la charge correspondante. Le treuil à bras fourni avec la grue à bossoir TELE-PRO® de OZ Lifting Products a été choisi en fonction de la capacité de charge de la grue. La poignée à déconnexion rapide de ce treuil a été conçue elle aussi pour fonctionner en fonction de la capacité de charge du treuil. L'effort requis pour faire fonctionner le treuil à sa capacité de charge maximum est substantiel. Il s'agit d'une caractéristique voulue et non d'une déféctuosité. L'effort supplémentaire requis à l'approche de la capacité de charge (quel que soit le pourcentage de la capacité du tambour) est signe que la charge est peut-être trop lourde.

MISE EN GARDE

Vérifier le poids de la charge que vous levez et le réduire, au besoin.

AVERTISSEMENT

Ne jamais tenter d'ajuster l'angle de la flèche sous l'horizontale quand elle est chargée. La flèche ne doit être baissée que lorsqu'on la range.

Cette grue à bossoir TELE-PRO® compte une structure principale en acier. La grue ne doit jamais émettre des sons anormaux pendant son utilisation (il est normal par contre que le câble fasse un peu de bruit lorsqu'il se fixe au tambour). Si vous entendez des bruits anormaux, retirer la charge et faire une inspection. Les sources de bruits anormaux sont nombreuses, dont :

- Le câble n'est pas bien enroulé, sous tension, lorsque la charge est levée.
- La grue est sévèrement surchargée.
- La grue a été sévèrement endommagée après abus et/ou mésusage.

REMARQUE : Cette liste n'est pas exhaustive et ne couvre pas toutes les possibilités.

TEMPÉRATURE AMBIANTE DE FONCTIONNEMENT

Cette grue à bossoir TELE-PRO® de OZ Lifting Products peut être utilisée à des températures ambiantes de -40 °F (-40 °C) à 212 °F (100 °C). Ne pas utiliser dans des applications impliquant une exposition prolongée à des températures ambiantes inférieures à -10 °F (-23 °C) ou supérieures à 130 °F (54 °C) ou en cas de changements soudains de température ambiante.

FUNCTIONNEMENT DE LA FLÈCHE TÉLESCOPIQUE :

La grue à bossoir TELE-PRO® est dotée d'une flèche unique pouvant être réglée pendant qu'elle est chargée. L'extension et l'angle de la flèche peuvent être changés pendant que la grue est chargée. C'est la responsabilité de l'utilisateur de s'assurer que la grue n'est jamais surchargée pendant la levée. Le changement de l'angle et/ou de l'extension de la flèche pourrait augmenter ou réduire la capacité de charge pendant la levée. La quantité de câble enroulé sur le treuil durant un levage va changer (surtout un levage long) et aura un impact sur la capacité de charge.

FONCTIONNEMENT DU TENDEUR À CHAÎNE À ROCHET

L'angle de la flèche est ajusté en utilisant le tendeur à chaîne à rochet à l'arrière de la grue (voir la Figure 5.1). Le levier du disque à rochet sur le tendeur à chaîne à rochet permet à celui-ci de passer entre les positions « lever » et « abaisser ».

AVERTISSEMENT

Ne pas ajuster le tendeur à chaîne à rochet au-delà de ses limites de course. Le tendeur à chaîne à rochet doit être centré avant l'utilisation. Voir la Figure 5.1.

AVERTISSEMENT

Lors de l'utilisation du tendeur à chaîne à rochet, éviter le désenfilage. Tester les limites de course du tendeur à chaîne à rochet avant de l'assembler à la grue et avant le chargement pour vous assurer qu'il ne se désenfile pas complètement.

MISE EN GARDE

Le tendeur à chaîne à rochet ne doit jamais être ajusté de façon à abaisser la flèche de la grue sous l'horizontale.

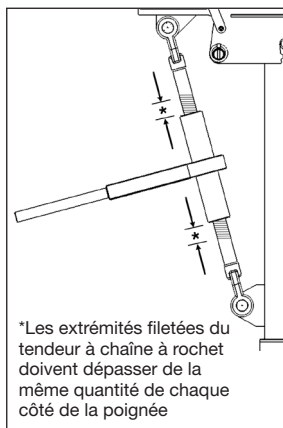


Figure 5.1

ADAPTATEUR D'ENTRAÎNEMENT DE PERÇAGE

L'extension de la flèche est réglée via un entraînement carré à l'arrière de la grue (voir les Figures 5.2 et 5.3). Le carré d'entraînement peut être actionné à l'aide d'une manivelle de treuil ou de l'adaptateur de l'entraînement de perçage fourni. Des butées sont intégrées dans le mécanisme d'ajustement pour prévenir un étirement excessif dans l'une ou l'autre direction. Il est recommandé de régler l'extension de la flèche lentement lorsqu'on s'approche de l'une de ces butées. Le mécanisme pourrait bloquer si une force excessive est utilisée pour forcer la flèche de dépasser la plage de réglage normale. Pour réparer ce blocage, un désassemblage pourrait être requis, ce qui pourrait annuler la garantie.

IMPORTANT

NE PAS utiliser de visseuse à chocs ou de réglage « à chocs » sur la perceuse pour le réglage de la flèche télescopique. L'utilisation d'une visseuse à chocs peut endommager les composants internes de la flèche et compromettre le fonctionnement de la grue.

REMARQUE : Lors de l'utilisation de l'adaptateur d'entraînement de perçage OZ Lifting Products en option pour le réglage de la flèche télescopique, il est recommandé d'utiliser un ensemble de perçage au réglage « perceuse ». La perceuse doit avoir un couple de sortie minimum de 50 pi-lb pour tous les modèles de grues à bossoir TELE-PRO[®].

Il y a des autocollants de capacité de charge sur les deux côtés de la section télescopique de la flèche. Ces capacités de charge sont pour la grue elle-même aux différents points d'extension. Sur un côté de la flèche se trouvent les capacités pour la position horizontale. Sur l'autre côté de la flèche se trouvent les capacités pour la position de 45 degrés. Ces autocollants de capacité de charge ne prennent pas en compte la quantité de câble sur le tambour du treuil. Les capacités de charge, notamment les effets de câble sur le tambour du treuil, sont inclus sur deux autocollants, un sur chaque côté de la grue. Veiller à vous assurer d'utiliser les capacités de charge correspondant à l'angle de la flèche utilisé.

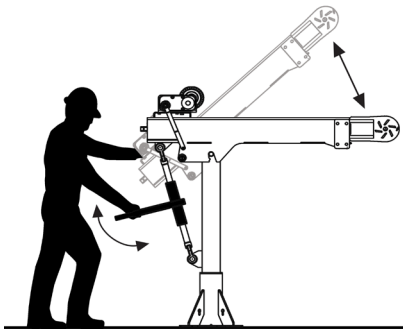


Figure 5.2

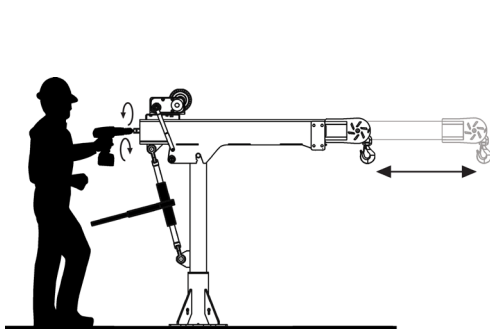


Figure 5.3

ENTRETIEN :

RENSEIGNEMENTS DE SÉCURITÉ D'ENTRETIEN

AVERTISSEMENT

Des instructions sont nécessaires avant d'utiliser ou d'entretenir l'équipement OZ Lifting Products. Lire et comprendre le manuel de l'opérateur. Suivre les avertissements et les instructions du manuel de l'opérateur lors des réparations, des réglages ou de l'entretien. Vérifier le bon fonctionnement après les réglages, les réparations ou l'entretien. Les opérateurs non formés et le non-respect des instructions peuvent causer des blessures ou la mort.

AVERTISSEMENT

Remplacer tout composant usé ou endommagé.

AVERTISSEMENT

Un mauvais entretien peut entraîner des dommages ou une défaillance de la machine. Risque de dommages matériels et/ou de blessures graves ou mortelles pour les personnes se trouvant à proximité.

MISE EN GARDE

Ne pas percer, souder ou modifier les composants OZ Lifting Products. Toute modification annulera la garantie.

LUBRIFICATION

Certains composants nécessitent peu d'entretien et n'ont pas besoin d'être réparés. Suivre le tableau pour les composants qui nécessitent des intervalles de lubrification d'entretien définis.

Composant(s)	Tâche d'entretien	Type de lubrification	Lubrifiant recommandé	Intervalles
Tendeur à chaîne à rochet	Appliquer de la graisse à travers les raccords Zerk	Graisse	Graisse au molybdène haute pression	80 heures OU 6 mois (selon la première éventualité)
Chariot de support	Lubrifier le chariot de support	Graisse	Graisse standard	
Vis-mère	Appliquer de la graisse à travers le raccord Zerk	Graisse	Graisse au molybdène haute pression	

*Consulter la ventilation des pièces à la page 31 pour les emplacements des raccords Zerk.

NETTOYAGE DE LA GRUE

Il faut nettoyer la grue à bossoir **TELE-PRO®** de OZ Lifting Products périodiquement pour conserver son apparence et pour prévenir la corrosion. La durée de vie de la grue à bossoir **TELE-PRO®** de OZ Lifting Products sera plus longue et elle fonctionnera mieux si vous la gardez propre et lubrifiée.

REMARQUE : Aucun solvant ne doit être utilisé sur quelque pièce que ce soit de la grue à bossoir **TELE-PRO®** de OZ Lifting Products pour la nettoyer ou pour quelque autre raison que ce soit.

MISE EN GARDE

Les finitions de châssis et de composants ne sont pas garanties si l'équipement est installé dans un environnement humide ou exposé à des nettoyeurs agressifs ou à des lavages à haute pression.

Lavage léger

Essuyer les surfaces de la grue avec un linge humide. Aucun détergent requis. Il doit y avoir une pellicule mince d'huile sur les surfaces en acier pour éviter la corrosion. Enlever toute huile excédentaire avec un linge propre.

MISE EN GARDE

Aucun lubrifiant, solvant ou détergent ne doit être appliqué aux freins ou au treuil. Si les patins de freinage deviennent contaminés d'huile, ils peuvent glisser.

Instructions de nettoyage

1. Essuyer les surfaces de la grue avec un linge humide. Aucun détergent requis.
2. Il doit y avoir une pellicule mince d'huile sur les surfaces en acier pour éviter la corrosion.



Aucun lubrifiant, solvant ou détergent ne doit être appliqué aux freins ou au treuil. Si les patins de freinage deviennent contaminés d'huile, ils peuvent glisser.

3. Enlever toute huile excédentaire avec un linge propre.
4. Appliquer une couche mince de graisse sur le palier de la poulie de levage.
5. Appliquer une couche mince de graisse sur les surfaces du palier d'extrémité, en prenant soin que les patins de freinage ne soient pas contaminés d'huile ou de graisse.

INSPECTION :

Pour que la qualité de fonctionnement du produit soit bonne, l'opérateur doit faire inspecter le produit régulièrement. Toutes les inspections doivent être consignées et conservées dans un journal. Ces dossiers doivent être accessibles à tout le personnel qui utilise le produit et à OZ Lifting Products quand il y a un problème lié à la garantie.

DÉFINITIONS

Personne désignée – une personne sélectionnée ou affectée qui est en mesure d'exécuter les tâches spécifiques.

Personne qualifiée – une personne qui possède un diplôme ou certificat de compétence professionnelle reconnu ou qui, grâce à ses connaissances, à sa formation et à son expérience exhaustives, a démontré avec succès qu'elle peut résoudre les problèmes liés à la matière et au travail.

Service normal – fonctionnement avec des charges distribuées aléatoirement ou à l'intérieur de la limite de charge nominale ou charges uniformes de moins de 65 % de la charge nominale au plus 15 % du temps.

Service lourd – fonctionnement à l'intérieur de la limite de charge nominale au-delà du service normal.

Service rigoureux – service normal ou lourd dans des conditions de fonctionnement anormales. Charges de choc incluses.

CLASSIFICATIONS D'INSPECTION

Inspections fréquentes – effectuées par l'opérateur ou la personne désignée. Effectuées en faisant des examens visuels et en écoutant des sons inusités en cours de fonctionnement. Ces inspections, en règle générale, sont effectuées avant chaque utilisation, plusieurs fois en cours d'utilisation et lorsque des problèmes surviennent.

Inspections périodiques – effectuées par une personne désignée. Plus détaillées qu'une inspection fréquente en examinant visuellement les conditions internes et externes. Ces inspections se font selon l'horaire suivant :

- **Service normal** – deux fois par année
- **Service lourd** – à chaque trimestre
- **Service rigoureux** – après chaque levage
- Après rangement prolongé ou s'il y a eu problème en cours de levage

IMPORTANT

Indiquer que la grue est « en panne » si une inspection détermine qu'elle est endommagée ou qu'elle doit être réparée. Ne pas retirer cette étiquette jusqu'à ce qu'une personne qualifiée ait résolu le problème. Ne pas utiliser des câbles métalliques et de l'équipement s'il y a eu dommages ou surcharge.

REMARQUES IMPORTANTES LIÉES AUX INSPECTIONS

IMPORTANT

Les treuils de freinage requièrent une inspection non seulement audible et visuelle. Les vérifier tous les jours en faisant fonctionner la grue avec et sans charge, vous arrêtant dans diverses positions pour garantir qu'ils fonctionnent bien. Si la charge se déplace, contacter l'usine pour remplacer les disques de friction.

IMPORTANT

Il se peut que vous deviez désassembler certaines pièces afin de bien les inspecter. Contacter l'usine de OZ Lifting Products avant de ce faire pour ne pas rendre votre garantie nulle et non avenue.

IMPORTANT

Pour inspecter les câbles métalliques, veiller à contacter le fabricant du câble. L'inspection indiquée dans le tableau suivant est générale et non l'inspection complète requise.

IMPORTANT

Avant utilisation, s'assurer que tous les défauts indiqués dans le tableau d'inspection ont été résolus et que les inspections sont à jour. Consulter le tableau de dépannage pour obtenir de l'aide.

IMPORTANT

Connaître les codes et les règlements en vigueur en matière d'inspection des grues.

IMPORTANT

Consulter le manuel du propriétaire du treuil spécifique pour les instructions et les instructions d'inspection complètes.

TABLEAU D'INSPECTION

REMARQUE : Désassembler la grue, y compris le tendeur à chaîne à rochet, la flèche et le treuil, périodiquement pour déterminer s'ils ont été endommagés. Utiliser le tableau suivant pour déterminer quel type d'inspection effectuer. Inspection fréquente (F) et inspection périodique (P).

TABLEAU D'INSPECTION			
Emplacement	Vérifier s'il y a	F	P
Grue	Dommages, fissures, rouille, écaillage, bosses, usure excessive ou corrosion.	X	
	Bruits inhabituels	X	
	Mouvements de chargement régulier	X	
	Bonne lubrification	X	
	Signes de surcharge (fissures, bosses ou dommages)		X
	Fonctionnement régulier avec charge égale à la capacité de charge		X
Fondation	Bon état/supporte la grue, quelles que soient les conditions	X	
	De niveau, la flèche ne se balance pas	X	
	Fissures, corrosion, dommages (retirer la base de la grue de la fondation)		X
Fixations (y compris les fixations de montage)	Bonne installation	X	
	Bon serrage	X	
	Filets abîmés, pliage ou dommages (retirer la base de la grue de la fondation)		X
Poignée	Tourne librement dans l'un et l'autre sens	X	

REMARQUE : Veiller à consulter le manuel de l'opérateur du treuil pour le tableau d'inspection du treuil.

RANGEMENT :

Pour une performance et une longévité optimales, entreposer la grue à bossoir **TELE-PRO®** de OZ Lifting Products dans un environnement approprié.

- Sélectionner un environnement propre, sec et non corrosif pour ranger la grue. Éviter les endroits humides, les endroits où les niveaux de poussière ou de débris sont élevés ou les espaces où la grue pourrait être exposée à des produits chimiques. Ces conditions peuvent accélérer la corrosion et endommager les composants essentiels.
- Si vous entreposez la grue à l'extérieur, elle nécessite une protection contre les éléments. Utiliser une couverture de grue à l'épreuve des intempéries conçue pour protéger la grue contre la pluie, la neige, l'exposition au soleil et le vent. Laisser la grue exposée peut entraîner la formation de rouille, la détérioration des surfaces peintes et le grippage des pièces en mouvement.
- Porter une attention particulière aux pièces en mouvement de la grue, comme la flèche, la poignée du treuil et le crochet. Prévoir couvrir ces zones avec un chiffon approprié ou utiliser les accessoires de rangement recommandés par le fabricant pour minimiser l'accumulation de poussière et les dommages potentiels pendant le rangement.

Le respect de ces recommandations de rangement aidera à garantir que la grue à bossoir **TELE-PRO®** de OZ Lifting Products reste dans un état optimal et fonctionne de manière fiable au besoin.

RÉPARER :

L'usine doit autoriser toutes les réparations. Contacter OZ Lifting Products pour ne pas rendre votre garantie limitée de deux ans nulle et non avenue et ne pas causer des dommages. Effectuer les inspections recommandées pour déterminer les pièces à remplacer. Utiliser seulement des pièces de recharge provenant de OZ Lifting Products. Pour commander des pièces de recharge, communiquer avec votre concessionnaire OZ Lifting Products local. Veiller à avoir le numéro de série, le numéro de pièce et une description à votre portée lorsque vous appelez.

TABLEAU DE DÉPANNAGE

TABLEAU DE DÉPANNAGE		
Problème	Cause possible	Correction
Distance de freinage excessive	Disques usés, endommagés ou surlubrifiés	Remplacer
	Cliquet à rochet de frein à disque endommagé ou usé	Remplacer
Usure excessive des engrenages ou des roulements	Surcharge	Réduire la charge
	Mauvaise lubrification	Lubrifier de nouveau
Grincement aigu	Mauvaise lubrification	Lubrifier de nouveau
Bruit de grincement	Câble mal enroulé/câble qui plonge dans le tambour	Rembobiner le câble également sous tension
	Freins ou engrenages sales	Nettoyer
	Engrenages ou roulements brisés	Remplacer
Cliquetis	Boulons, écrous, fixations desserrés	Serrer
La flèche pivote d'elle-même	Fondation non de niveau ou non sécuritaire	Réparer
	Mât plié ou endommagé	Réparer
La flèche rebondit	Surcharge	Réduire la charge et inspecter la grue pour déceler des dommages
	Boulons de montage desserrés	Serrer pour corriger le couple
	Fondation non de niveau ou non sécuritaire	Réparer
	Engrenages du treuil usés ou endommagés	Réparer
	Poulie usée ou endommagée	Réparer

REMARQUE : Contacter OZ Lifting Products LLC® si vous devez désassembler la grue. Dans le cas contraire, la garantie sera rendue nulle et non avenue.

SPÉCIFICATIONS :

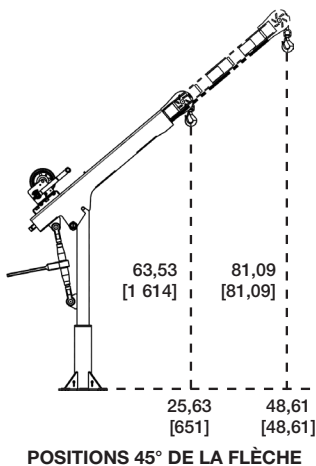
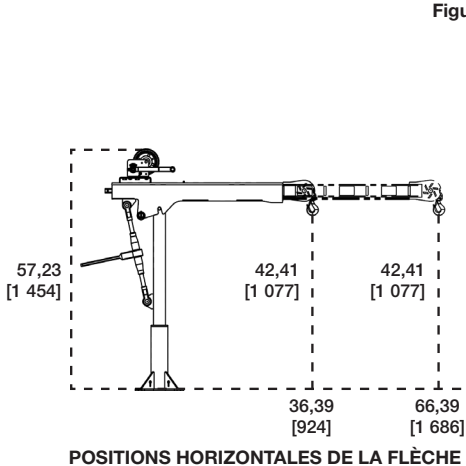
OZTP500DAV

Poids net : 109 lb/49 kg

Poids de la flèche : 66 lb/30 kg

Poids du mât : 23 lb/10 kg

Figure 6.1



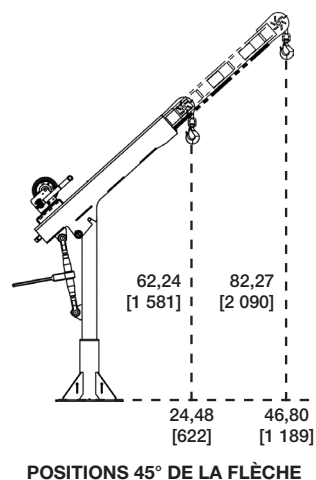
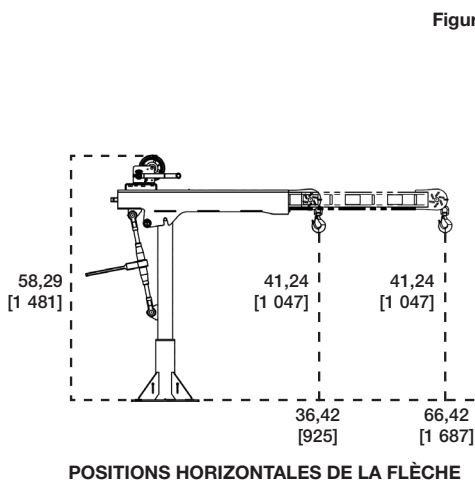
OZTP1200DAV

Poids net : 189 lb/86 kg

Poids de la flèche : 135 lb/61 kg

Poids du mât : 34 lb/15 kg

Figure 6.2



REMARQUE : Toutes les mesures sont indiquées en pouces [millimètres].

Les dimensions sont à des fins de référence seulement et peuvent changer sans préavis.

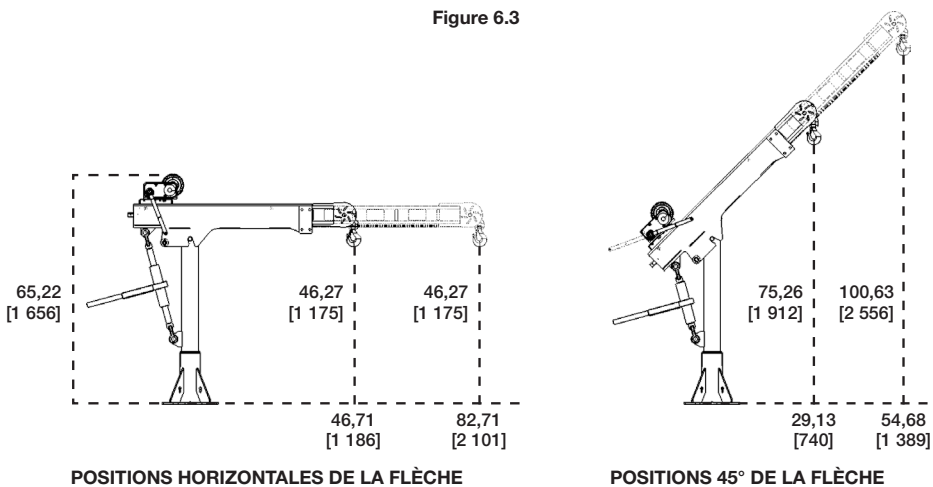
OZTP2500DAV

Poids net : 369 lb/167 kg

Poids de la flèche : 262 lb/119 kg

Poids du mât : 62 lb/28 kg

Figure 6.3



REMARQUE : Toutes les mesures sont indiquées en pouces [millimètres].

Les dimensions sont à des fins de référence seulement et peuvent changer sans préavis.

SPÉCIFICATIONS DE LA GRUE À BOSSOIR À PORTÉE AU CROCHET À 360 DEGRÉS TELE-PRO®
Les sections sont représentatives de la portée au crochet en rotation à 360 degrés.

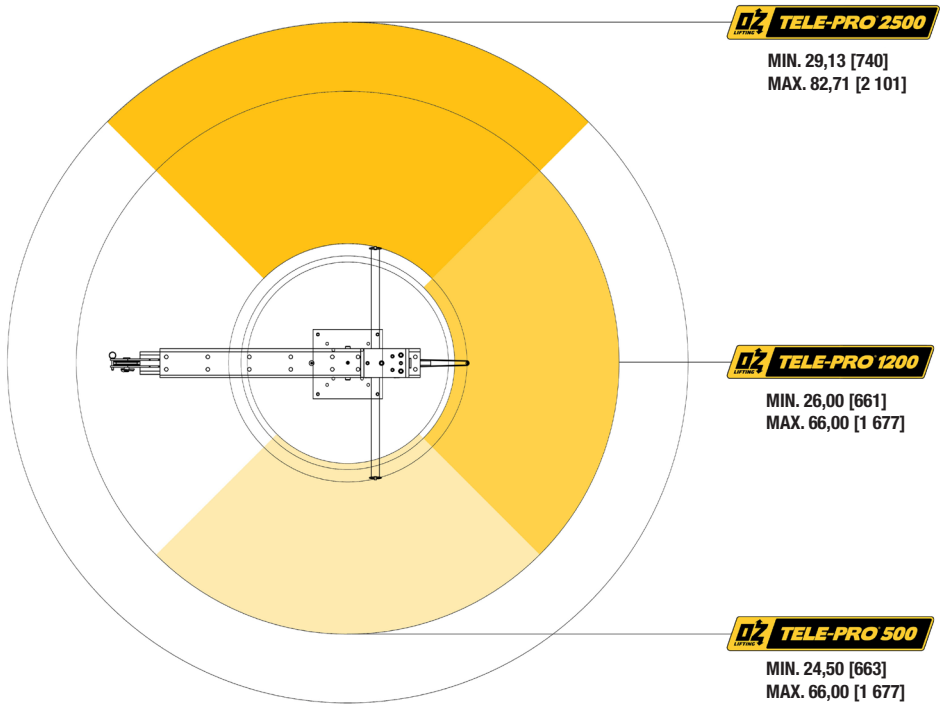


Figure 6.4

REMARQUE : Toutes les mesures sont indiquées en pouces [millimètres].
Les dimensions sont à des fins de référence seulement et peuvent changer sans préavis.

CAPACITÉS DE CHARGE :

REMARQUE : La flèche est ajustable à l'infini. Pour des raisons de simplicité, les capacités ont été divisées en 4 positions.

COTES DE CHARGE OZTP500DAV – Angle horizontal de la flèche

Capacités de charge (lb)	Première couche	Tambour moyen	Tambour plein
Position 1 de la flèche à 36 po	500 lb	500 lb	500 lb
Position 2 de la flèche à 46 po	430 lb	430 lb	430 lb
Position 3 de la flèche à 56 po	350 lb	350 lb	350 lb
Position 4 de la flèche à 66 po	300 lb	300 lb	300 lb

**Basé sur un câble métallique/synthétique de 3/16 po*

COTES DE CHARGE OZTP500DAV – Angle 45° de la flèche

Capacités de charge (lb)	Première couche	Tambour moyen	Tambour plein
Position 1 de la flèche à 23 po	500 lb	500 lb	500 lb
Position 2 de la flèche à 30 po	500 lb	500 lb	500 lb
Position 3 de la flèche à 37 po	500 lb	500 lb	500 lb
Position 4 de la flèche à 44 po	450 lb	450 lb	450 lb

**Basé sur un câble métallique/synthétique de 3/16 po*



IMPORTANT

Les capacités de charge varient selon la longueur et le diamètre du câble métallique ou synthétique.

REMARQUE : Les dimensions sont à des fins de référence seulement et peuvent changer sans préavis.

REMARQUE : La flèche est ajustable à l'infini. Pour des raisons de simplicité, les capacités ont été divisées en 4 positions.

COTES DE CHARGE OZTP1200DAV – Angle horizontal de la flèche

Capacités de charge (lb)	Première couche	Tambour moyen	Tambour plein
Position 1 de la flèche à 36 po	800 lb	800 lb	550 lb
Position 2 de la flèche à 46 po	800 lb	800 lb	550 lb
Position 3 de la flèche à 56 po	750 lb	750 lb	550 lb
Position 4 de la flèche à 66 po	650 lb	650 lb	550 lb

**Basé sur un câble métallique de 3/16 po*

COTES DE CHARGE OZTP1200DAV – Angle 45° de la flèche

Capacités de charge (lb)	Première couche	Tambour moyen	Tambour plein
Position 1 de la flèche à 23 po	800 lb	800 lb	550 lb
Position 2 de la flèche à 30,25 po	800 lb	800 lb	550 lb
Position 3 de la flèche à 37,25 po	500 lb	800 lb	550 lb
Position 4 de la flèche à 44,5 po	800 lb	800 lb	550 lb

**Basé sur un câble métallique de 3/16 po*

COTES DE CHARGE OZTP1200DAV – Angle horizontal de la flèche

Capacités de charge (lb)	Première couche	Tambour moyen	Tambour plein
Position 1 de la flèche à 36 po	1 200 lb	875 lb	550 lb
Position 2 de la flèche à 46 po	900 lb	875 lb	550 lb
Position 3 de la flèche à 56 po	750 lb	750 lb	550 lb
Position 4 de la flèche à 66 po	650 lb	650 lb	550 lb

**Basé sur un câble métallique de 1/4 po ou un câble synthétique de 3/16 po*

COTES DE CHARGE OZTP1200DAV – Angle 45° de la flèche

Capacités de charge (lb)	Première couche	Tambour moyen	Tambour plein
Position 1 de la flèche à 23 po	1 200 lb	875 lb	550 lb
Position 2 de la flèche à 30,25 po	1 200 lb	875 lb	550 lb
Position 3 de la flèche à 37,25 po	1 100 lb	875 lb	550 lb
Position 4 de la flèche à 44,5 po	950 lb	875 lb	550 lb

**Basé sur un câble métallique de 1/4 po ou un câble synthétique de 3/16 po*



Les capacités de charge varient selon la longueur et le diamètre du câble métallique ou synthétique.

REMARQUE : Les dimensions sont à des fins de référence seulement et peuvent changer sans préavis.

REMARQUE : La flèche est ajustable à l'infini. Pour des raisons de simplicité, les capacités ont été divisées en 4 positions.

COTES DE CHARGE OZTP2500DAV – Angle horizontal de la flèche

Capacités de charge (lb)	Première couche	Tambour moyen	Tambour plein
Position 1 de la flèche à 46 po	2 000 lb	2 000 lb	1 500 lb
Position 2 de la flèche à 58 po	1 900 lb	1 900 lb	1 500 lb
Position 3 de la flèche à 70 po	1 600 lb	1 600 lb	1 500 lb
Position 4 de la flèche à 82 po	1 300 lb	1 300 lb	1 300 lb

**Basé sur un câble synthétique de 1/4 po*

COTES DE CHARGE OZTP2500DAV – Angle 45° de la flèche

Capacités de charge (lb)	Première couche	Tambour moyen	Tambour plein
Position 1 de la flèche à 28 po	2 000 lb	2 000 lb	1 500 lb
Position 2 de la flèche à 37 po	2 000 lb	2 000 lb	1 500 lb
Position 3 de la flèche à 45,5 po	2 000 lb	2 000 lb	1 500 lb
Position 4 de la flèche à 54 po	2 000 lb	2 000 lb	1 500 lb

**Basé sur un câble synthétique de 1/4 po*

COTES DE CHARGE OZTP2500DAV – Angle horizontal de la flèche

Capacités de charge (lb)	Première couche	Tambour moyen	Tambour plein
Position 1 de la flèche à 46 po	2 500 lb	2 015 lb	1 500 lb
Position 2 de la flèche à 58 po	1 900 lb	1 900 lb	1 500 lb
Position 3 de la flèche à 70 po	1 600 lb	1 600 lb	1 500 lb
Position 4 de la flèche à 82 po	1 300 lb	1 300 lb	1 300 lb

**Basé sur un câble métallique/synthétique de 3/8 po ou un câble synthétique de 5/16 po*

COTES DE CHARGE OZTP2500DAV – Angle 45° de la flèche

Capacités de charge (lb)	Première couche	Tambour moyen	Tambour plein
Position 1 de la flèche à 28 po	2 500 lb	2 015 lb	1 550 lb
Position 2 de la flèche à 37 po	2 500 lb	2 015 lb	1 550 lb
Position 3 de la flèche à 45,5 po	2 500 lb	2 015 lb	1 550 lb
Position 4 de la flèche à 54 po	2 000 lb	2 000 lb	1 550 lb

**Basé sur un câble métallique/synthétique de 3/8 po ou un câble synthétique de 5/16 po*

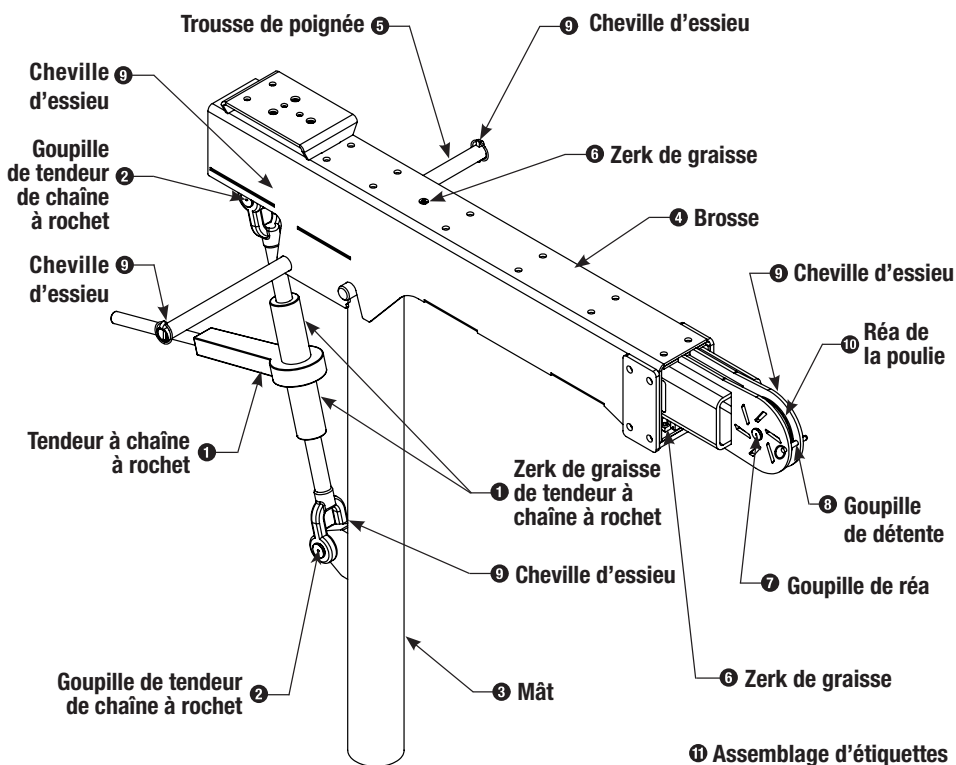


IMPORTANT

Les capacités de charge varient selon la longueur et le diamètre du câble métallique ou synthétique.

REMARQUE : Les dimensions sont à des fins de référence seulement et peuvent changer sans préavis.

VENTILATION DES PIÈCES :



VENTILATION DES PIÈCES

	NOM DE LA PIÈCE	NUMÉRO DE LA PIÈCE			PIÈCE DE RECHANGE
		OZTP500DAV	OZTP1200DAV	OZTP2500DAV	
1	Tendeur à chaîne à rochet	TW-6067-10	TW-6067-10	TW-6068-12	Oui
2	Goupille de tendeur à chaîne à rochet	TSD12102	TSD12102	TSD2013	Oui
3	Mât	OZ110070	OZ110069	OZ110068	Oui
4	Flèche	OZ100028	OZ100032	OZ100029	Oui
5	Trousse de poignée	OZ120002	OZ120002	OZ120002	Oui
6	Zerk de graisse	OZ240079	OZ240079	OZ240079	Oui
7	Goupille de réa	SD7012	SD7012	SD2012	Oui
8	Goupille de détente	DRI-14	DRI-14	DRI-54	Oui
9	Cheville d'essieu	Hang-2	Hang-2	Hang-2	Oui
10	Réa de la poulie	DC10PC5000B	DC10PC5000B	SD2004	Oui
11	Assemblage d'étiquettes	200-0092	201-0092	202-0092	Oui

GARANTIE DE DEUX ANS OZ LIFTING PRODUCTS :

OZ Lifting Products, LLC® garantit ce produit contre les défauts de fabrication et de conception pendant deux ans à compter de la date d'expédition.

Cette garantie NE couvre PAS :

Cette garantie ne s'applique pas aux produits indiquant qu'il y a eu abus, surcharge, altération, mauvais entretien ou négligence. L'usure normale des pièces en mouvement est exclue de la garantie. Exemples de pièces en mouvement : disques de frein, câbles métalliques et autres composants qui s'usent. Cette garantie ne couvre pas les coûts liés au retrait de ce produit, au temps perdu ou autres dommages/coûts accessoires ou consécutifs liés aux défauts contre lesquelles il y a réclamation.

Clause de non-responsabilité/limitation de garantie :

Si ce produit tombe en panne au cours des deux premières années d'utilisation en raison d'un défaut de matériaux ou de fabrication, il sera réparé ou remplacé à la discrétion d'OZ Lifting Products, LLC®.

Tout produit sous garantie pour lequel il y a réclamation doit être retourné prépayé à un dépôt de garantie de OZ Lifting Products, LLC® avec preuve d'achat. Une fois réparé, le produit sera retourné au client sans frais. S'il devait s'avérer qu'il n'y avait aucune déféctuosité, les frais d'expédition de retour seront imputés au client. La garantie du produit continuera pour le reste de la période originale (deux ans à compter de la date d'expédition).

OZ Lifting Products, LLC® n'est pas responsable de ce qui suit relatif à l'utilisation de ce produit : blessures ou dommages matériels, morts, dommages accessoires, consécutifs ou indirects, que ce soit par négligence ou à dessein. Il incombe exclusivement au propriétaire d'installer et de faire fonctionner le produit convenablement et sécuritairement.

Il s'agit de la seule garantie écrite de OZ Lifting Products, LLC®. Cette garantie est en lieu et place de toute autre garantie qu'implique la loi, p. ex. qualité marchande ou aptitude. La vente de produits OZ Lifting Products, LLC® en vertu de toute autre garantie expresse ou implicite n'est pas autorisée.

REMARQUE : OZ Lifting Products, LLC® a le droit de modifier la conception ou d'abandonner la production de tout produit sans préavis.

Pour en savoir plus, contacter :



P.O. Box 845, Winona, MN 55987
Téléphone +1 800 749-1064 • +1 507 474-6250
Soutien technique +1 507 457-3346
Télécopieur +1 507 452-5217
sales@ozliftingproducts.com
www.ozliftingproducts.com



TELE-PRO®

GRÚA PESCANTE TELESCÓPICA

CAPACIDADES DE 500, 1200, 2500 LB.

MODELOS:

OZTP500DAV

OZTP1200DAV

OZTP2500DAV



PRECAUCIÓN

Lea atentamente el Manual del operador antes de utilizar este producto. Mantenga este manual disponible en todo momento.



P.O. Box 845, Winona, MN 55987

Teléfono (800) 749-1064

(507) 474-6250

Apoyo técnico (507) 457-3346

Fax (507) 452-5217

sales@ozliftingproducts.com

TABLA DE CONTENIDO:

INTRODUCCIÓN	3
Información del Propietario	3
INFORMACIÓN Y UBICACIONES DE LA GRÚA PESCANTE	4
Placa de Identificación con Ubicación del Código QR	4
Ubicaciones de Etiquetas de la Máquina	4
SEGURIDAD	6
Información General de Seguridad	6
Pautas	6
Símbolos de Seguridad	6
Precauciones de Seguridad	6
Advertencias de Seguridad	7
Etiquetas de Seguridad	8
Identificación de Etiquetas	8
Etiquetas de Seguridad de Peligro	8
Etiquetas de Seguridad de Advertencia	8
Etiquetas de Seguridad de Precaución	8
Ubicaciones de Etiquetas de Seguridad	9
INSPECCIÓN PREVIA A LA INSTALACIÓN	11
INSTALACIÓN DE LA BASE	11
ENSAMBLAJE DE LA GRÚA	12
DIAGRAMAS DE MONTAJE	13
Ensamblaje de la Grúa	13
Instalación de un Cabrestante Manual	13
Instalación de un Cabrestante Eléctrico	13
Instalación de un Collarín de Bloqueo de Posición Única	14
Instalación de un Collarín de Bloqueo de Posiciones Múltiples	14
INSTALACIÓN DEL CABLE	15
Instalación de un Cable de Acero con Terminal Esférico en un Cabrestante Manual	16
Instalación de un Cable de Acero con Extremo Desnudo en un Cabrestante Manual ..	16
Para Cable Sintético	16
PRUEBA DE CAMPO	16
PREPARACIÓN PARA LA OPERACIÓN	17
Advertencias y Precauciones	17
PAUTAS DE OPERACIÓN	17
Temperatura Ambiente de Operación	18
OPERACIÓN DEL BRAZO TELESCÓPICO	18
Operación del Tensador de Trinquete	19
Adaptador de Taladro	19
MANTENIMIENTO	20
Información de Seguridad de Mantenimiento	20
Lubricación	20
Limpieza de la Grúa	20
Lavado Ligero	20
Instrucciones de Limpieza	21
INSPECCIÓN	21
Definiciones	21
Clasificaciones de Inspección	21
Notas Importantes de Inspección	22
Tabla de Inspección	23
ALMACENAMIENTO	23
REPARACIÓN	24
Tabla de Solución de Problemas	24
ESPECIFICACIONES	25
Especificaciones de Alcance del Gancho de 360 Grados de la Grúa Pescante	27
CALIFICACIONES DE CARGA	28
DESGLOSE DE PARTES	31
GARANTÍA DE DOS AÑOS DE OZ LIFTING PRODUCTS	32
REGISTRO DE MANTENIMIENTO	33

INTRODUCCIÓN:

Información del Propietario

Gracias por su decisión de comprar la grúa pescante TELE-PRO® de OZ Lifting Products. Para asegurar el máximo rendimiento de su equipo, es obligatorio que estudie detenidamente este manual del operador y siga las recomendaciones. La operación y el mantenimiento adecuados son esenciales para maximizar la vida útil del equipo y prevenir lesiones personales.

El propósito de este manual es familiarizar e instruir al operador.

La seguridad es de primordial importancia para el propietario/operador y para el fabricante. La primera sección de este manual incluye una lista de mensajes de seguridad que, si se siguen, ayudarán a proteger al operador y a los transeúntes de lesiones o muerte. Muchos de los mensajes de seguridad se repetirán a lo largo del manual. El propietario/operador debe conocer estos mensajes de seguridad y ser consciente de los peligros de operar y mantener este equipo. Opere y mantenga este equipo de manera segura y de acuerdo con todos los códigos, regulaciones y/o leyes locales, estatales y federales aplicables. Siga todas las etiquetas e instrucciones del producto.

Asegúrese de que todo el personal haya leído este manual del operador y comprenda a fondo los procedimientos de operación, instalación y mantenimiento seguros y correctos.

Es responsabilidad del operador asegurarse de que el producto se use de acuerdo con todos los códigos locales, regulaciones y estándares de seguridad aplicables. OZ Lifting Products, LLC no asume ninguna responsabilidad por daños o lesiones resultantes del uso inadecuado del producto.

OZ Lifting Products, LLC® está trabajando continuamente para mejorar sus productos. OZ Lifting Products, LLC® se reserva el derecho de realizar cualquier mejora o cambio que considere práctico y posible sin incurrir en ninguna responsabilidad u obligación de realizar cambios o adiciones a equipos vendidos previamente.

Aunque se ha tenido mucho cuidado para asegurar la precisión de esta publicación, OZ Lifting Products, LLC® no ofrece ninguna garantía o aval de ningún tipo, escrita o expresa, implícita o de otro tipo con respecto a la información contenida en este manual. OZ Lifting Products, LLC® no asume ninguna responsabilidad por errores que puedan aparecer en este manual y no será responsable bajo ninguna circunstancia por daños incidentales, consecuentes o punitivos en relación con, o derivados del uso de este manual.

Mantenga este manual disponible para consulta frecuente. Todos los nuevos operadores o propietarios deben revisar el manual antes de usar el equipo, y anualmente después de eso. Este manual del operador está disponible en nuestro sitio web www.ozliftingproducts.com en formatos digitales y multilingües. Contacte a OZ Lifting Products, LLC® para asistencia, información o para obtener copias adicionales de este manual.



P.O. Box 845, Winona, MN 55987

Teléfono (800) 749-1064

(507) 474-6250

Apoyo técnico (507) 457-3346

Fax (507) 452-5217

www.ozliftingproducts.com

INFORMACIÓN Y UBICACIONES DE LA GRÚA PESCANTE:

Ubicación de la Placa de Identificación con Código QR

Por favor, registre la información de su OZ Lifting Products en los espacios provistos a continuación para referencia futura.

ANTES DE USAR, COMPLETE LA INFORMACIÓN A CONTINUACIÓN:

Número de Modelo: _____

Número de Serie: _____

Fecha de Compra: _____

Siempre use el número de modelo y el número de serie al solicitar información o al ordenar piezas.

Utilice su dispositivo móvil para escanear el código QR. El dispositivo móvil lo dirigirá al sitio web de OZ Lifting Products para ver versiones digitales y multilingües de este manual.

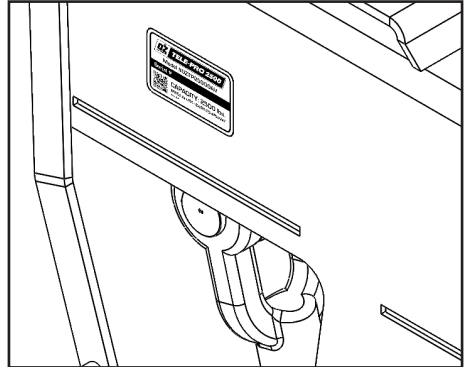


Figura 1.1

Ubicaciones de Etiquetas de la Máquina

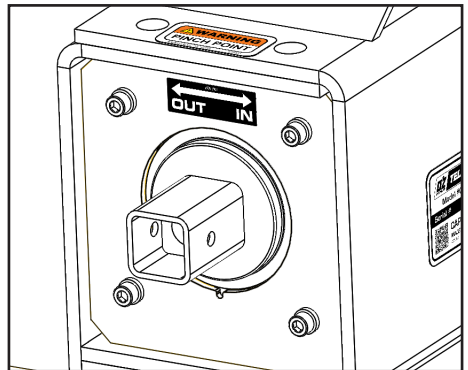


Figura 1.2

OZ LIFTING TELE-PRO 2500

OZ LIFTING TELE-PRO 2500

2000LB
45° ANGLE BOOM CAPACITY
907KG

2000LB
45° ANGLE BOOM CAPACITY
907KG

2500LB
45° ANGLE BOOM CAPACITY
1134KG

1300LB
HORIZONTAL BOOM CAPACITY
590KG

1600LB
HORIZONTAL BOOM CAPACITY
726KG

1900LB
HORIZONTAL BOOM CAPACITY
862KG

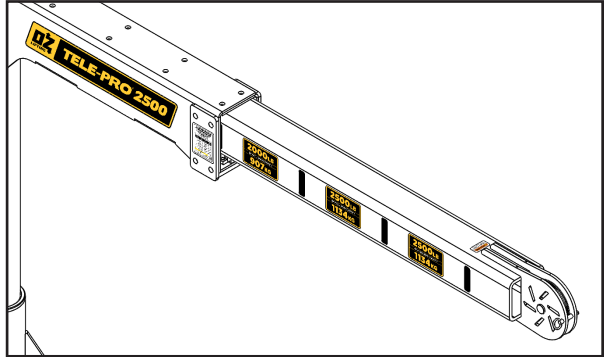


Figura 1.3

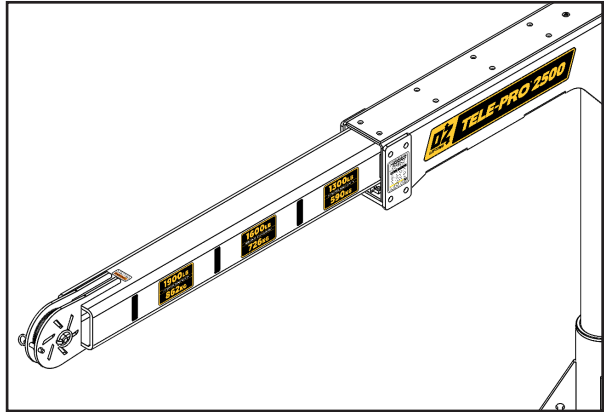
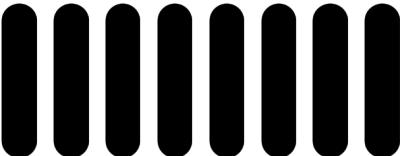


Figura 1.4



SEGURIDAD:

INFORMACIÓN GENERAL DE SEGURIDAD

Pautas

Esta información general de seguridad sirve como guía para operar correctamente los equipos de OZ Lifting Products. Cualquier persona que opere este equipo debe leer y entender todos los manuales que se incluyen con la grúa pescante **TELE-PRO®** de OZ Lifting Products.

Símbolos de Seguridad

Las palabras PELIGRO, ADVERTENCIA, PRECAUCIÓN se utilizan a lo largo de los mensajes de seguridad y etiquetas en el manual o en el equipo. Las declaraciones con una de estas palabras indican que existe un riesgo de seguridad. Asegúrese de observar las precauciones indicadas siempre que haya un Símbolo de Alerta de Seguridad presente.



Este símbolo se utiliza para llamar la atención sobre las instrucciones relacionadas con la seguridad personal. Asegúrese de observar y seguir estas instrucciones. ¡Tómese el tiempo necesario para ser cuidadoso!



La palabra de señal PELIGRO en el equipo y en el manual identifica una situación peligrosa que, si no se evita, RESULTARÁ en muerte o lesiones graves.



La palabra de señal ADVERTENCIA en el equipo y en el manual indica una situación potencialmente peligrosa que, si no se evita, PODRÍA resultar en muerte o lesiones graves.



La palabra de señal PRECAUCIÓN en el equipo y en el manual indica una situación potencialmente peligrosa que, si no se evita, PUEDE resultar en lesiones leves o moderadas. También puede utilizarse para alertar contra prácticas inseguras.



Este aviso identifica procedimientos que deben seguirse para evitar daños al equipo.

PRECAUCIONES DE SEGURIDAD

La información en este manual se aplica a la grúa pescante **TELE-PRO®** de OZ Lifting Products.

Este manual contiene instrucciones generales para la instalación normal, operación y mantenimiento del producto descrito aquí. La información proporcionada no debe considerarse suficiente para preparar al usuario para todas las circunstancias posibles.

Este producto no debe ser instalado, operado o mantenido por ninguna persona que no haya leído todo el contenido de este manual. El incumplimiento de estas instrucciones, advertencias o limitaciones puede resultar en lesiones corporales, muerte o daños materiales.

Es responsabilidad del propietario/usuario instalar, probar, mantener y operar este producto de acuerdo con las regulaciones de OSHA, así como todas las demás regulaciones federales, estatales y locales. Solo personal capacitado y calificado debe operar y mantener este producto.

Inspeccione regularmente la grúa pescante **TELE-PRO® de OZ** Lifting Products en busca de signos de desgaste, elongación de agujeros, grietas superficiales, surcos, daños u otras condiciones anormales.

Los propietarios del producto deben programar y mantener registros de las inspecciones y mantenimientos regulares realizados. Hay un cuadro de mantenimiento incluido al final de este libro. Registre el número de serie y la fecha de compra de su grúa pescante **TELE-PRO®** de OZ Lifting Products en este manual para referencia.

No utilice la grúa pescante **TELE-PRO®** de OZ Lifting Products junto con otros equipos a menos que se dispongan los dispositivos de seguridad necesarios. Las modificaciones a este producto solo están autorizadas por el fabricante original.

ADVERTENCIAS DE SEGURIDAD

El no leer y cumplir con las siguientes advertencias puede resultar en una situación peligrosa que podría llevar a la muerte, lesiones graves o daños materiales. Mantenga este manual cerca del equipo en todo momento. No retire, altere u oscurezca las etiquetas adheridas al cabrestante. Contacte a OZ Lifting Products para manuales y etiquetas de reemplazo.



El no leer y cumplir con las siguientes advertencias puede resultar en una situación peligrosa que podría llevar a la muerte, lesiones graves o daños materiales.

- NO** opere un producto dañado o que funcione incorrectamente.
- NO** levante personas.
- NO** levante cargas sobre personas.
- NO** opere hasta que el personal sea advertido de la aproximación de las cargas y se haya despejado el área.
- NO** deje una carga suspendida sin supervisión.
- NO** coloque las manos en áreas con partes móviles como poleas, cables de acero y engranajes.
- NO** opere si los protectores están instalados o retirados incorrectamente.
- NO** ajuste la grúa más allá de su capacidad de carga nominal. Consulte las especificaciones de carga en la página 28.
- NO** ajuste la grúa de manera que se sobrecargue durante la elevación.
- NO** baje el brazo más allá de la posición horizontal.
- NO** opere sin al menos cuatro (4) vueltas de anclaje del cable de acero alrededor del tambor del cabrestante para evitar que el cable se afloje y la carga caiga.
- NO** levante más peso del especificado para la grúa ni para los componentes adjuntos.
- NO** use grúas adicionales para mover una carga que sea más pesada que la capacidad de carga de una sola grúa utilizada. Un desplazamiento de carga podría sobrecargar los componentes.
- NO** modifique el equipo ni lo use para funciones diferentes.
- NO** use dispositivos de aparejo no aprobados ni métodos con esta grúa.
- NO** ajuste el freno del cabrestante mientras la carga esté suspendida.
- NO** ajuste el tensor de trinquete más allá de sus límites de recorrido. El tensor de trinquete debe estar centrado antes de usarlo.
- NO** retire, desfigure u oscurezca las etiquetas de advertencia.
- NO** permita que la carga oscile o haga movimientos bruscos. Opere suavemente para evitar cargas de choque.
- NO** levante ninguna carga que no esté directamente debajo de la grúa. Este producto no está destinado a arrastrar una carga lateralmente.
- NO** asuma que el pasador de enganche está seguro solo con inspección visual. Asegúrese de un ajuste seguro escuchando el clic al cerrar el pasador de enganche.
- NO** sustituya pasadores de diámetro más pequeño. Use solo los pasadores suministrados con la grúa.
- NO** asuma la compatibilidad de los accesorios. Consulte las recomendaciones del fabricante y asegúrese de cumplir con las regulaciones locales para un uso seguro.
- NO** opere sin asegurarse de que el cable de acero esté firmemente sujeto al tambor del cabrestante.
- NO** opere sin verificar la lubricación adecuada.
- NO** use cadenas, cables o dispositivos rígidos para levantar la grúa. En su lugar, deben utilizarse eslingas de nylon u otros materiales sintéticos.

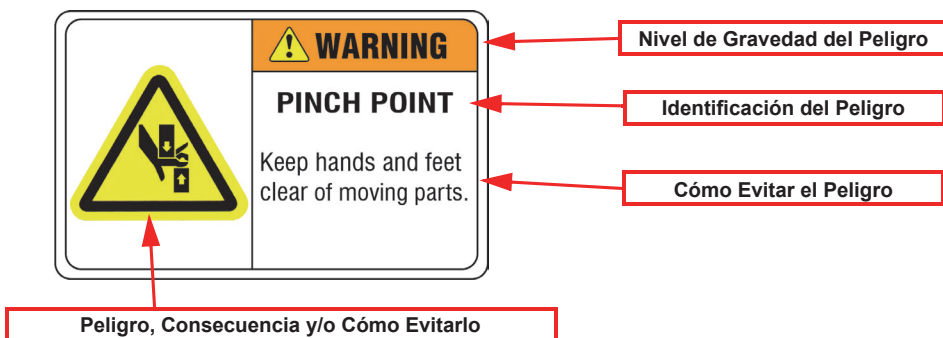
ETIQUETAS DE SEGURIDAD

Identificación de Etiquetas

Las etiquetas de seguridad se colocan en el equipo para proteger a cualquier persona que trabaje en él o alrededor de él, así como a los componentes del equipo. Todo el personal que opere o mantenga este equipo debe familiarizarse con las etiquetas de seguridad.

Las etiquetas de seguridad están codificadas por colores para advertir al operador sobre los diferentes niveles de peligros de la máquina. El ejemplo de etiqueta de seguridad a continuación define una etiqueta estándar de la industria.

Asegúrese de que todas las etiquetas de seguridad estén en su lugar y sean claramente legibles. Reemplace cualquier etiqueta de seguridad dañada o faltante con una etiqueta de reemplazo de fábrica.



Etiquetas de Seguridad de Peligro



El no leer y cumplir con las siguientes advertencias puede resultar en una situación peligrosa que podría llevar a la muerte, lesiones graves o daños materiales.

Etiquetas de Seguridad de Advertencia



La palabra de señal ADVERTENCIA en el equipo y en el manual indica una situación potencialmente peligrosa que, si no se evita, PODRÍA resultar en muerte o lesiones graves.

Etiquetas de Seguridad de Precaución



La palabra de señal PRECAUCIÓN en el equipo y en el manual indica una situación potencialmente peligrosa que, si no se evita, PUEDE resultar en lesiones leves o moderadas. También puede utilizarse para alertar contra prácticas inseguras.

Ubicaciones de las Etiquetas de Seguridad

⚠ WARNING

FAILURE TO COMPLY WITH THE FOLLOWING WARNINGS MAY RESULT IN A HAZARDOUS SITUATIONS THAT COULD LEAD TO DEATH, SERIOUS INJURY, OR PROPERTY DAMAGE.

DO NOT operate a damaged or malfunctioning product.
 DO NOT lift people.
 DO NOT lift loads over people.
 DO NOT operate until personnel are warned of approaching loads and are cleared from the area.
 DO NOT do not leave a suspended load unattended.
 DO NOT put hands in areas with moving parts including sheaves, wire rope, boom, and gears.
 DO NOT operate if guards are improperly installed or removed.
 DO NOT adjust crane beyond rated load capacity. See load rating decal for specifications.
 DO NOT adjust crane so that it becomes overloaded during the lift.
 DO NOT lower the boom past horizontal position.
 DO NOT operate without assuring wire rope is securely attached to the winch drum.
 DO NOT operate without at least four (4) anchor wraps of wire rope around the winch drum to prevent rope from loosening and the load from falling.
 DO NOT lift more than the rated load of the crane nor that of attached components.
 DO NOT use additional cranes to move a load that is heavier than the load rating of a single crane being utilized. A load shift could overload the components.
 DO NOT modify the equipment or use for different functions.
 DO NOT use unapproved rigging devices or methods with this crane.
 DO NOT adjust the winch brake while load is suspended.
 DO NOT adjust ratchet jack beyond its travel limits. Ratchet jack should be centered before use.
 DO NOT remove, deface, or obscure warning labels.
 DO NOT assume compatibility of attachments.
 See manufacturer's recommendations and ensure compliance with local regulations for safe use.

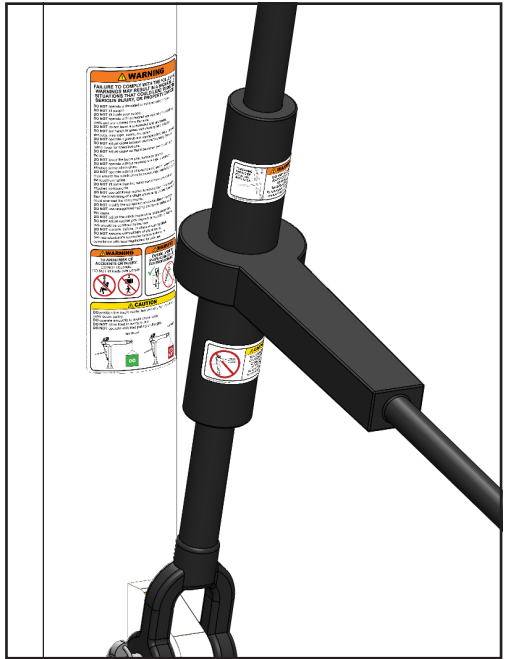


Figura 2.1

<p>⚠ WARNING</p> <p>TO AVOID RISK OF ACCIDENTS OR INJURY: DO NOT lift people. DO NOT lift loads over people.</p>	<p>⚠ WARNING</p> <p>ENSURE LYNCH PIN SNAPS AGAINST SHAFT FOR PROPER SECURITY</p>
--	--

⚠ CAUTION

DO position the load's center line vertically from the crane's outer boom pulley.
 DO operate smoothly to avoid shock loads.
 DO NOT allow load to swing or jerk.
 DO NOT operate with load pulling or dragging.

©2019products.com | 800-745-1564 #200-0074

*THREADING SHOULD BE EQUAL ON BOTH SIDES

⚠ WARNING

DO NOT ADJUST RATCHET BINDER BEYOND TRAVEL LIMITS:
 Ratchet binder should be centered before use.

©2019products.com | 800-745-1564 #200-0071

⚠ CAUTION

TO AVOID RISK OF ACCIDENTS OR INJURY:
 DO NOT lower the boom beyond horizontal position.

©2019products.com | 800-745-1564 #200-0070

OZ TELE-PRO 2500
LIFTING

LOAD RATING
OZTP2500DAV
45° Boom Angle

Based on 3/8 inch synthetic rope. Boom is infinitely adjustable.
For simplicity, ratings have been split into four positions.

BOOM POSITION	FIRST LAYER	MID DRUM	FULL DRUM
28 in [711 mm]	2500 lb [1134 kg]	2015 lb [914 kg]	1550 lb [703 kg]
37 in [940 mm]	2500 lb [1134 kg]	2015 lb [914 kg]	1550 lb [703 kg]
45.50 in [1156 mm]	2500 lb [1134 kg]	2015 lb [914 kg]	1550 lb [703 kg]
54 in [1372 mm]	2000 lb [907 kg]	2000 lb [907 kg]	1550 lb [703 kg]

CAUTION
Maximum load rating capacity will vary depending on rope length and diameter, and winch. Please reference operator's manual for more information.

ozliftingproducts.com | 800-749-1064 #200-0958

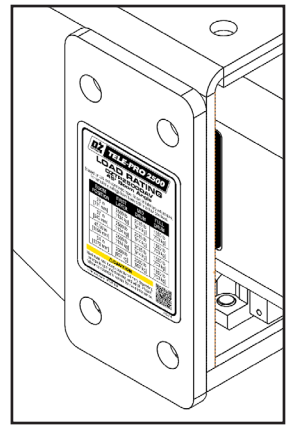


Figure 2.2

OZ TELE-PRO 2500
LIFTING

LOAD RATING
OZTP2500DAV
Horizontal Boom Angle

Based on 3/8 inch synthetic rope. Boom is infinitely adjustable.
For simplicity, ratings have been split into four positions.

BOOM POSITION	FIRST LAYER	MID DRUM	FULL DRUM
46 in [1168 mm]	2500 lb [1134 kg]	2015 lb [914 kg]	1550 lb [703 kg]
58 in [1473 mm]	1900 lb [862 kg]	1900 lb [862 kg]	1550 lb [703 kg]
70 in [1778 mm]	1600 lb [726 kg]	1600 lb [726 kg]	1550 lb [703 kg]
82 in [2083 mm]	1300 lb [590 kg]	1300 lb [590 kg]	1300 lb [590 kg]

CAUTION
Maximum load rating capacity will vary depending on rope length and diameter, and winch. Please reference operator's manual for more information.

ozliftingproducts.com | 800-749-1064 #200-0957

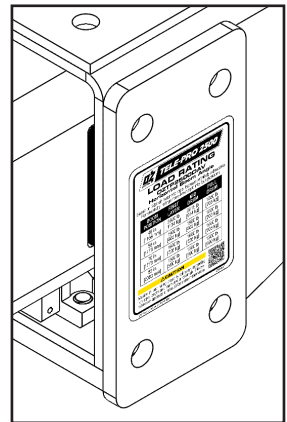


Figure 2.3

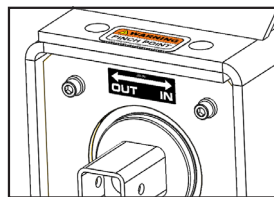


Figure 2.4

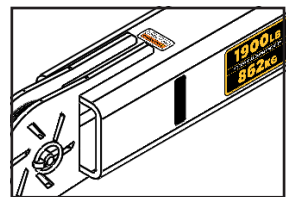


Figure 2.5

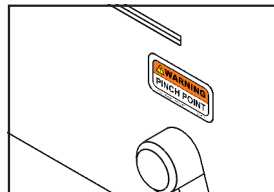


Figure 2.6

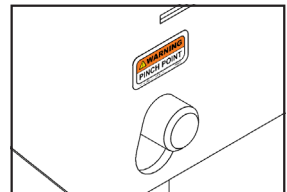


Figure 2.7



INSPECCIÓN DE PRE-INSTALACIÓN:

Verifique si hay daños durante el envío. No instale ni use un producto dañado. Asegúrese de mantener registros de la información del producto y contacte a su distribuidor de OZ Lifting Products si surgen problemas. Consulte los códigos y regulaciones aplicables antes de instalar el equipo. Contacte a un profesional calificado para obtener las especificaciones de estructura y cimentación para el montaje del producto.

Antes de la instalación, seleccione un lugar donde la grúa sea:

- Visible durante toda su operación.
- Libre de tráfico y cualquier posible interferencia operativa.
- Posicionada de manera que el operador esté libre tanto de la carga como del trayecto del cable de acero.
- Accesible para el mantenimiento.
- Fijada a una base fuerte y nivelada que pueda soportarla adecuadamente en todas las condiciones.
- Alejada de materiales corrosivos, inflamables, explosivos o potencialmente dañinos.

Inspeccione la grúa para asegurarse de que no falten piezas ni estén dañadas. No deseche los contenedores de envío de la grúa, ya que se pueden reutilizar si es necesario volver a embalarla. Contacte a su distribuidor de OZ Lifting Products si surge algún problema.

Asegúrese de que todos los componentes, incluido el pasador sobre el que se desliza la polea de carga, estén correctamente lubricados antes de ensamblar. Consulte la sección de Mantenimiento a partir de la página 20.

Durante el ensamblaje, realice una inspección de todos los componentes y resuelva cualquier problema. Esto proporcionará una referencia comparativa para inspecciones posteriores.

INSTALACIÓN DE LA BASE:

NOTA: Las bases acompañantes para las grúas pescantes TELE-PRO® de OZ Lifting Products se venden por separado a través de distribuidores autorizados de OZ Lifting Products. Son necesarias para el correcto funcionamiento de este producto.

La base del **TELE-PRO® 500** - OZTP500DAV debe sujetarse firmemente a la cimentación utilizando sujetadores de ½ pulgada de Grado 5. Aplique un torque recomendado por el fabricante del sujetador o anclaje.

La base del **TELE-PRO® 1200** - OZTP1200DAV y **TELE-PRO® 2500** - OZTP2500DAV debe sujetarse firmemente a la cimentación utilizando sujetadores de 5/8 pulgadas de Grado 5. Aplique un torque recomendado por el fabricante del sujetador o anclaje.

Asegúrese de que la superficie de montaje esté ubicada directamente sobre una base sólida, nivelada y resistente que soporte la grúa en todas las circunstancias.

Los productos no estándar que hayan sido modificados desde el diseño original pueden requerir requisitos de fijación alternativos. Contacte a su distribuidor de OZ Lifting Products para obtener más información.

ENSAMBLAJE DE LA GRÚA:

Por favor, consulte la Figura 3.1 en la página 13 antes de ensamblar la grúa.

Los siguientes pasos describen los pasos físicos necesarios para ensamblar la grúa pescante TELE-PRO® de OZ Lifting Products. Algunas de las grúas pueden ser demasiado pesadas para que una sola persona las ensamble por sí misma. Por favor, utilice personas adicionales y/o equipos de elevación para ensamblar los componentes de la grúa que se consideren demasiado pesados para que los maneje una sola persona.



Durante el ensamblaje, los sujetadores no deben apretarse en exceso, ya que esto puede dañar las roscas y provocar daños. Los dos pasadores marcados como #2 son idénticos y ambos son necesarios para el ensamblaje.

Una vez instalada la base de OZ Lifting Products LLC®, ensamble la grúa siguiendo los siguientes pasos:

1. Instale el mástil en la base. El mástil debe deslizarse fácilmente hacia abajo en la base (no se necesitan herramientas). Asegúrese de que el mástil esté correctamente posicionado en el pasador en la parte inferior de la base. Esto se puede confirmar moviendo el mástil de lado a lado para verificar si hay juego excesivo. El mástil debe encajar ajustadamente. Asegúrese de que el tope de ajuste de altura esté orientado hacia la parte trasera.

2. Coloque el brazo sobre el mástil utilizando el Smart Latch, un sistema de conexión rápida de OZ Lifting Products. Asegúrese de que la orientación del brazo sea correcta con respecto al mástil: el extremo del cabrestante del brazo debe estar sobre el punto de conexión del tensor de trinquete en el mástil. Gire ligeramente el brazo para que el agujero oblongo pueda engancharse sobre uno de los extremos del pasador superior del mástil. Gire el brazo nuevamente a la posición horizontal para enganchar el otro extremo del pasador superior del mástil..



Al soltar el agarre del brazo en este punto del ensamblaje, el brazo podría balancearse hacia abajo hacia el mástil. Esto podría resultar en lesiones y/o daños al producto.

3. Adjunte un extremo del tensor de trinquete al tope de montaje trasero del brazo. Alinee los agujeros del tensor de trinquete con el agujero en el tope de montaje y coloque el pasador de horquilla #2. Asegúrelo con un pasador lynch.

4. Adjunte el otro extremo del tensor de trinquete al tope de montaje en el mástil de la grúa. Alinee los agujeros del tensor de trinquete con el agujero en el tope de montaje y coloque el segundo pasador de horquilla #2. Asegúrelo con un pasador lynch.

NOTA: Las grúas pescantes TELE-PRO® de OZ Lifting Products se enviarán desde la fábrica parcialmente ensambladas. Los siguientes pasos son solo para referencia en caso de que el producto deba ser reensamblado.

5. Deslice la polea de la garganta en la tapa del brazo desde arriba o desde abajo. Alinee los agujeros en la polea de la garganta con los del brazo. Inserte el pasador de horquilla #1 y asegúrelo con un pasador lynch.

6. Centre el cabrestante sobre los agujeros de montaje en la parte superior del brazo. El tambor debe estar orientado hacia la polea de la garganta. Asegure el cabrestante al brazo en la posición de montaje más frontal, o en el conjunto de tres agujeros más cercanos a la polea. Hay dos patrones de pernos en el brazo. El patrón de pernos más pequeño es para el cabrestante manual.

NOTA: El desmontaje es el inverso del ensamblaje. No es necesario desmontar completamente la grúa para transportarla.

DIAGRAMAS DE ENSAMBLAJE:

Ensamblaje de la Grúa

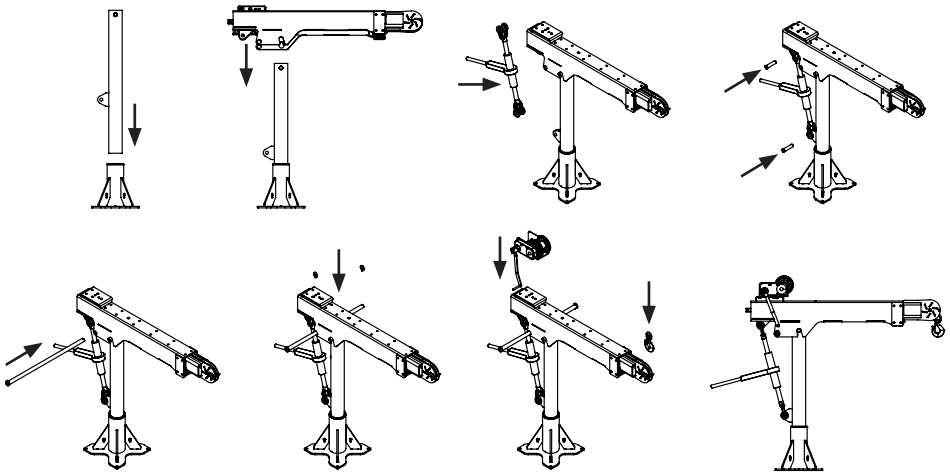


Figura 3.1

NOTA: Normalmente, no se requiere un desmontaje adicional del mecanismo de extensión/retracción del brazo. Si se necesita desmontar completamente los componentes internos del brazo, por favor, contacte con la fábrica. Cualquier remoción no autorizada de los componentes internos del brazo invalidará la garantía.

Instalación de un Cabrestante Manual

Se aplica a los números de parte: OZWINHND1, OZWINHND2

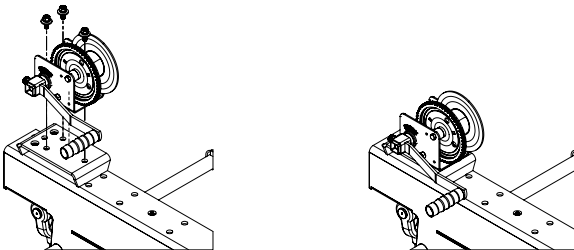


Figura 3.2

Instalación de un Cabrestante Eléctrico

Se aplica a los números de parte: OZACW, OZDCW

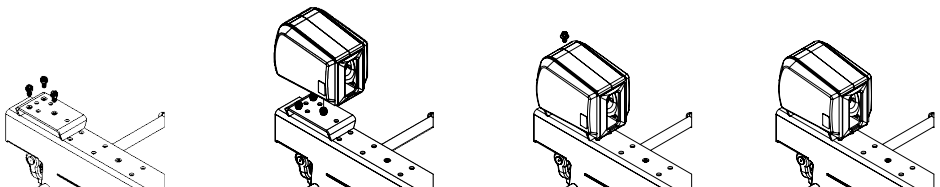


Figura 3.3

Instalación de un Collar de Bloqueo de Posición Única

Se aplica a los números de parte: OZ100020, OZ100021, OZ100022, OZ100023, OZ100025

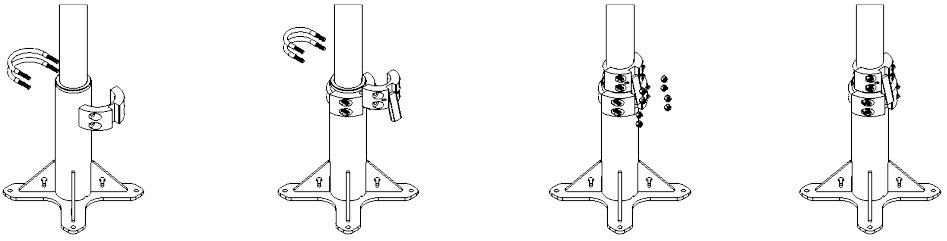


Figura 3.4

Instalación de un Collar de Bloqueo de Posición Múltiple

Se aplica a los números de parte: LC1, LC2, LC3, LC4

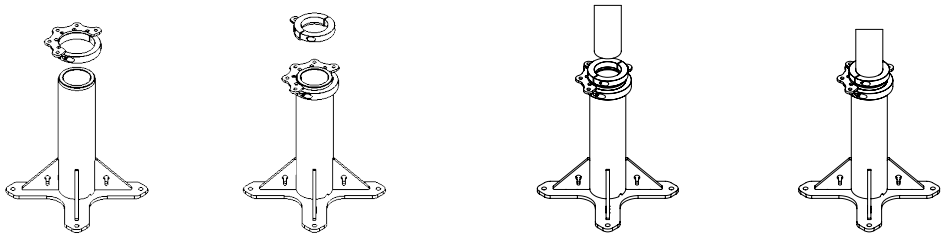


Figura 3.5

INSTALACIÓN DEL CABLE:

Here are the instructions for installing the OZ Lifting Products supplied cable with a swaged ball end on the TELE-PRO® davit crane:

1. Coloque el cable en una superficie plana para asegurarse de que no esté enredado ni formando bucles.
2. Localice el extremo con bola del cable.
3. Localice el “orificio en forma de cerradura” en el tambor del cabrestante que acepta el extremo con bola del cable.
4. Pase el extremo con bola del cable sobre la polea de la garganta y hacia el cabrestante. Es posible que deba retirar el pasador de retención del cable de la punta del brazo para que la bola pase sobre la polea.
5. Inserte el extremo con bola del cable en la característica de “orificio en forma de cerradura” en el cabrestante.
6. Asegúrese de que el extremo con bola del cable se deslice dentro de la ranura en el “orificio en forma de cerradura” y no se pueda sacar.
7. Enrolle manualmente al menos cuatro vueltas completas de cable en el tambor del cabrestante. Siempre debe haber al menos cuatro vueltas completas de anclaje de cable en el tambor del cabrestante. (Ver Figura 4.1)
8. Instale el pasador de retención del cable insertándolo en los agujeros en la punta del brazo.

NOTA: Para asegurar que se pueda enrollar la máxima cantidad de cable en el cabrestante, el cable debe enrollarse de manera ordenada en el tambor del cabrestante. Si el cable no se enrolla de manera ordenada, la capacidad de cable puede reducirse y el esfuerzo para manejarlo puede aumentar. Un cable que no se enrolle de manera ordenada puede ocupar un 30% más de espacio en el tambor del cabrestante, reduciendo la capacidad del cable.

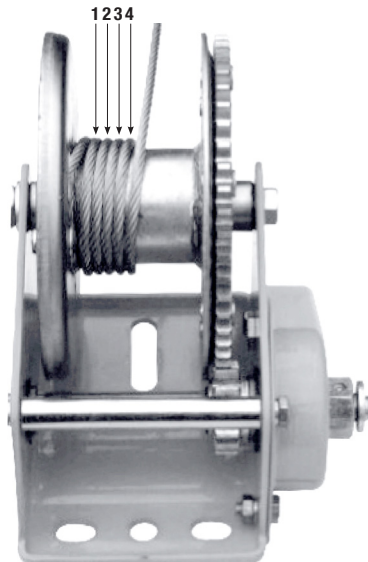
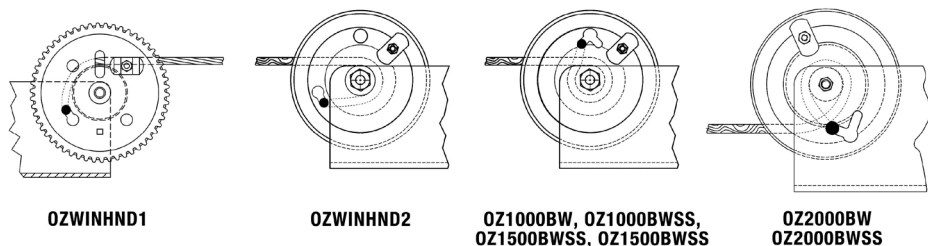


Figura 4.1

Instalación de un Cable de Acero con un Extremo de Bola en un Cabrestante Manual

Se aplica a los números de parte: OZWINHND1, OZWINHND2, OZ1000BW, OZ1000BWSS, OZ1500BWSS, OZ2000BW, OZ2000BWSS al instalar un cable de acero con un extremo de bola.

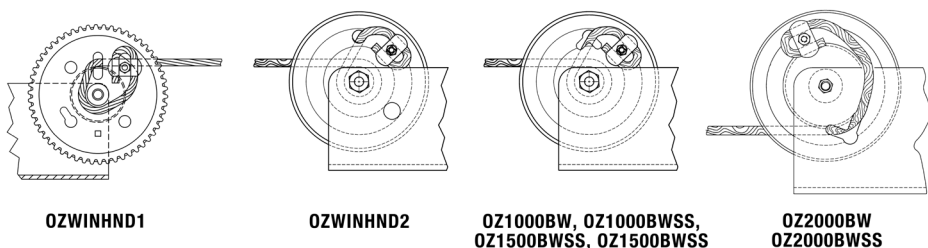
Figura 4.2



Instalación de un Cable de Acero con Extremo Desnudo en un Cabrestante Manual

Se aplica a los números de parte: OZWINHND1, OZWINHND2, OZ1000BW, OZ1000BWSS, OZ1500BWSS, OZ2000BW, OZ2000BWSS al instalar un cable de acero sin un extremo de bola.

Figura 4.3



PREPARACIÓN PARA LA OPERACIÓN:

ADVERTENCIAS Y PRECAUCIONES



La falta de lectura y cumplimiento de las siguientes advertencias puede resultar en una situación peligrosa que podría llevar a la muerte, lesiones graves o daños materiales.

Los operadores deben leer y comprender completamente este manual y todas las advertencias en la grúa de OZ Lifting Products antes de comenzar la operación. Si no se lee y sigue completamente este manual, pueden ocurrir lesiones y daños. Para preguntas sobre la operación, por favor contacte a su distribuidor de OZ Lifting Products.

Antes de operar la grúa, asegúrese de que todas las piezas estén limpias y correctamente lubricadas. La grúa debe estar en condiciones de funcionamiento adecuadas y los registros de mantenimiento deben estar actualizados antes de proceder con la operación. El área de operación debe estar despejada de todos los materiales inflamables.

Es importante mantener un buen apoyo mientras se opera la grúa. Confirme que la grúa esté asegurada firmemente a una base sólida, nivelada y resistente antes de la operación. Levante la carga lentamente, verificando que esté bien soportada y equilibrada antes de proceder con la operación.

Todos los operadores **DEBEN**:

- Estar capacitados en la operación adecuada de la grúa y en el manejo de posibles fallas.
- Abstenerse de usar alcohol, medicamentos o drogas mientras operan.
- Asegurarse de tener coordinación y visión adecuadas, y evitar operar cuando estén cansados o distraídos.
- Inspeccionar los componentes del sistema.
- Evitar operar si tienen antecedentes de convulsiones u otros problemas médicos que puedan interferir con la operación de la grúa.
- Conocer la carga y asegurarse de no exceder la capacidad de carga de la grúa ni de ningún otro componente del sistema.
- Mantener el gancho de carga centrado sobre la carga. Evitar tirones laterales que pueden dañar la grúa o lesionar al operador si la carga se inclina.

DIRECTRICES DE OPERACIÓN:

El **TELE-PRO® 500** de OZ Lifting Products tiene una capacidad máxima de carga operativa de 500 libras.
El **TELE-PRO® 1200** de OZ Lifting Products tiene una capacidad máxima de carga operativa de 1200 libras.
El **TELE-PRO® 2500** de OZ Lifting Products tiene una capacidad máxima de carga operativa de 2500 libras.

El brazo de la grúa **TELE-PRO®** de OZ Lifting Products puede ajustarse bajo carga. Este ajuste puede alterar la capacidad de elevación de la grúa. Verifique nuevamente la capacidad de carga de la grúa en cada posición operativa que se utilizará durante el izado para asegurarse de que la grúa no se sobrecargue durante el levantamiento.

La grúa **TELE-PRO®** de OZ Lifting Products es capaz de generar fuerzas que exceden esta capacidad máxima de carga, pero esto no debe intentarse.

NOTA: Es responsabilidad del usuario asegurarse de que las cargas que se manejan estén dentro de los límites operativos de la grúa de brazo giratorio **TELE-PRO®** de OZ Lifting Products en todo momento. Las cargas de choque deben minimizarse, ya que pueden generar fuerzas superiores a la capacidad nominal de la grúa de brazo giratorio **TELE-PRO®** de OZ Lifting Products.

Las capacidades de carga se encuentran detalladas en este manual en las páginas 28 a 30, así como en ambos lados del brazo de la grúa **TELE-PRO®** de OZ Lifting Products. Estas capacidades de carga representan la capacidad del brazo en posición horizontal y en posición de ángulo de 45 grados. Estas tablas de capacidad de carga se calculan en función de la extensión y el ángulo del brazo de la grúa, así como la cantidad de cable enrollado en el tambor de la cabrestante. La cantidad de cable enrollado en el tambor de la cabrestante cambiará durante un izaje (especialmente en izajes largos), lo que afectará la capacidad de carga.



Es responsabilidad del usuario determinar la cantidad máxima de cable que será enrollado en el tambor de la cabrestante en cualquier momento durante el izaje y dimensionar la carga a levantar en consecuencia. La cabrestante manual suministrada con la grúa TELE-PRO® de OZ Lifting Products ha sido seleccionada específicamente para coincidir con la capacidad nominal de la grúa. El mango de desconexión rápida de esta cabrestante también ha sido diseñado específicamente para operar dentro del rango de carga de la cabrestante. El esfuerzo requerido para operar la cabrestante en su capacidad nominal máxima será significativo. Esta es una característica de diseño intencional y no un defecto. El aumento en el esfuerzo requerido al acercarse a la capacidad nominal (en cualquier porcentaje de la capacidad del tambor) es una señal de que la carga a ser izada podría ser demasiado pesada.



Verifique el peso de la carga que se va a levantar y reduzca el peso si es necesario.



Nunca intente ajustar el ángulo del brazo por debajo de la posición horizontal mientras está bajo carga. El brazo solo debe bajarse con fines de almacenamiento.

Este **TELE-PRO®** grúa giratoria de OZ Lifting Products tiene una estructura principal de acero. En ningún momento la grúa debe emitir ruidos anormales durante el uso (el cable puede hacer algo de ruido al asentarse en el tambor, lo cual es normal). Cualquier sonido anormal es motivo para detener la carga y realizar una inspección. Hay múltiples fuentes para ruidos anormales, que incluyen, pero no se limitan a:

- Si el cable no está enrollado correctamente bajo tensión cuando se aplica la carga.
- Si la grúa está sobrecargada severamente.
- Si la grúa ha sufrido daños severos por abuso y/o manejo inapropiado.

NOTA: Esta lista no es exhaustiva y no cubre todas las posibilidades.

TEMPERATURA AMBIENTE DE OPERACIÓN

Esta grúa **TELE-PRO®** de OZ Lifting Products puede ser utilizada a temperaturas ambientales de -40°F (-40°C) a 212°F (100°C). No se debe usar en aplicaciones que involucren exposición prolongada a temperaturas ambientales inferiores a -10°F (-23°C) o superiores a 130°F (54°C), o si ocurren cambios repentinos en la temperatura ambiente.

OPERACIÓN DEL BRAZO TELESCÓPICO:

La grúa **TELE-PRO®** de OZ Lifting Products tiene un brazo único que puede ajustarse mientras está bajo carga. Tanto el ángulo como la extensión del brazo pueden cambiarse mientras la grúa está bajo carga. Es responsabilidad del usuario asegurarse de que la grúa no se sobrecargue en ningún momento durante la elevación. Cambiar el ángulo y/o la extensión del brazo puede aumentar o disminuir la capacidad de carga de la grúa durante la realización de la elevación. La cantidad de cable enrollado en el tambor de la cabrestante cambiará durante la elevación (especialmente en elevaciones largas), afectando la capacidad de carga.

OPERACIÓN DEL TENSOR DE TRINQUETE

El ángulo del brazo se ajusta utilizando el tensor de trinquete en la parte trasera de la grúa (ver Figura 5.1). La palanca del tensor de trinquete cambia entre subir y bajar el ángulo del brazo.



ADVERTENCIA

No ajuste el tensor de trinquete más allá de sus límites de recorrido. El tensor de trinquete debe estar centrado antes de usarlo. Consulte la Figura 5.1.



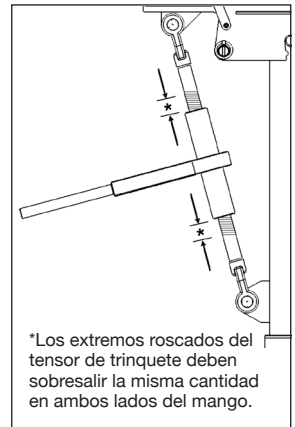
ADVERTENCIA

Cuando opere el tensor de trinquete, evite desenroscar completamente. Pruebe los límites de recorrido del tensor de trinquete antes de montarlo en la grúa y antes de cargarlo, para verificar que no se desenrosca completamente.



PRECAUCIÓN

En ningún momento se debe ajustar el tensor de trinquete para bajar el brazo de la grúa por debajo de la posición horizontal.



*Los extremos roscados del tensor de trinquete deben sobresalir la misma cantidad en ambos lados del mango.

Figura 5.1

ADAPTADOR DE TALADRO

La extensión del brazo se ajusta mediante un cuadrado en la parte trasera del brazo (ver Figuras 5.2 y 5.3). Este cuadrado puede ser operado con la manivela del cabrestante o con el adaptador de taladro suministrado. Hay topes incorporados en el mecanismo de ajuste para evitar que se extienda demasiado en cualquier dirección. Se recomienda ajustar lentamente la extensión del brazo al acercarse a uno de estos topes mecánicos. Usar fuerza excesiva para intentar que el brazo exceda su rango normal de ajuste puede hacer que el mecanismo se atasque. Esto puede requerir desmontaje para ser reparado y puede anular la garantía.



IMPORTANTE

No use un destornillador de impacto ni la configuración de "impacto" en el taladro para ajustar la pluma telescópica. El uso de un destornillador de impacto puede dañar los componentes internos de la pluma y comprometer el funcionamiento de la grúa.

NOTA: Al usar el adaptador de taladro opcional de OZ Lifting Products para ajustar la pluma telescópica, se recomienda usar un taladro configurado en la opción de "taladro". El taladro debe tener un par de salida mínimo de 50 ft. lb. para todos los modelos de grúa de pescante TELE-PRO®.

Hay calcomanías con las capacidades de carga en ambos lados de la sección telescópica de la pluma. Estas capacidades de carga son para la grúa en sí en varios puntos de extensión. En un lado de la pluma están las capacidades para la posición horizontal. En el otro lado de la pluma están las capacidades para la posición de más 45 grados. Estas calcomanías con las capacidades de carga no tienen en cuenta la cantidad de cable en el tambor del cabrestante. Las capacidades de carga que incluyen los efectos del cable en el tambor del cabrestante están incluidas en dos calcomanías, una en cada lado de la grúa. Asegúrese de usar las capacidades de carga que correspondan al ángulo de la pluma que se está utilizando.

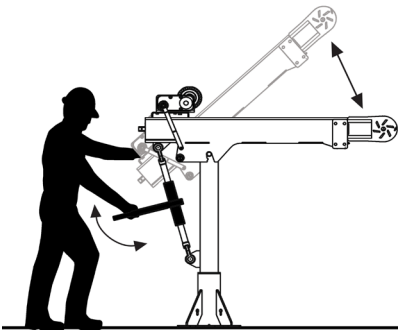


Figura 5.2

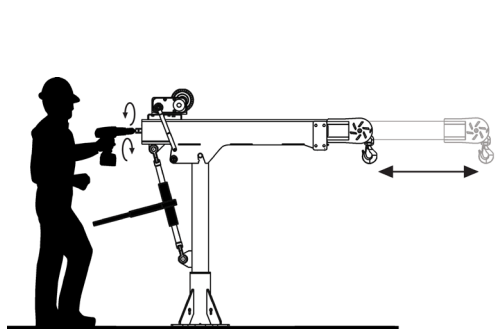


Figura 5.3

MANTENIMIENTO:

INFORMACIÓN DE SEGURIDAD SOBRE MANTENIMIENTO



Es necesario seguir las instrucciones antes de dar mantenimiento o servicio al equipo de OZ Lifting Products. Lea y comprenda el manual del operador. Siga las advertencias e instrucciones del manual del operador al hacer reparaciones, ajustes o servicio. Verifique el funcionamiento adecuado después de ajustes, reparaciones o servicio. Los operadores no capacitados y la falta de seguimiento de las instrucciones pueden causar lesiones o la muerte.



Reemplace cualquier componente desgastado o dañado.



Un mantenimiento incorrecto puede causar daños o fallos en la máquina, lo que podría provocar daños materiales y/o lesiones graves o la muerte de personas cercanas.



No taladre, suelde ni modifique los componentes de OZ Lifting Products. Cualquier modificación invalidará la garantía.

LUBRICACIÓN

Algunos componentes requieren un mantenimiento mínimo y no necesitan servicio. Siga el cuadro para conocer los intervalos de lubricación establecidos para los componentes que lo requieran.

Componente(s)	Tarea de mantenimiento	Tipo de lubricación	Lubricante recomendado	Intervalo
Tensor de Trinquete	Aplicar grasa a través de los accesorios Zerk	Grasa	Grasa Moly de Alta Presión	80 Horas O 6 Meses (Lo que Ocurra Primero)
Rodamiento	Lubrique el Carro de Rodamiento	Grasa	Grasa Estándar	
Tornillo de Avance	Aplicar grasa a través de los accesorios Zerk	Grasa	Grasa Moly de Alta Presión	

*Consulte el diagrama de desglose de piezas en la página 31 para conocer las ubicaciones de los accesorios Zerk.

LIMPIEZA DE LA GRÚA

La grúa **TELE-PRO®** de OZ Lifting Products debe limpiarse periódicamente para conservar su apariencia y prevenir la corrosión. La grúa **TELE-PRO®** de OZ Lifting Products durará más y funcionará mejor cuando se mantenga limpia y lubricada.

NOTA: No se deben utilizar solventes en ninguna parte de la grúa **TELE-PRO®** de OZ Lifting Products para limpieza ni para ningún otro propósito.



Los acabados del marco y los componentes no tienen garantía si el equipo se instala en un ambiente húmedo o se expone a limpiadores agresivos o lavados a alta presión.

Lavado Ligero

Limpie las superficies de la grúa con un paño húmedo. No es necesario usar detergentes. Las superficies de acero deben tener una ligera película de aceite aplicada para evitar la corrosión. Retire cualquier exceso de aceite con un paño limpio.



No deben aplicarse lubricantes, disolventes ni detergentes de ningún tipo a los frenos en el cabrestante. Si las pastillas de freno se contaminan con aceite, podrían resbalar.

Instrucciones de limpieza

1. Limpiar las superficies de la grúa con un paño húmedo. No es necesario usar detergentes.
2. Las superficies de acero deben tener una ligera película de aceite aplicada para prevenir la corrosión.



No deben aplicarse lubricantes, disolventes ni detergentes de ningún tipo a los frenos en el cabrestante. Si las pastillas de freno se contaminan con aceite, podrían resbalar.

3. Retirar cualquier exceso de aceite con un paño limpio.
4. Lubricar el buje en la polea de carga con una capa ligera de grasa.
5. Lubricar las superficies de rodamiento del eje en el cabrestante con una capa ligera de grasa, asegurándose de no poner aceite o grasa en las pastillas de freno del cabrestante..

INSPECCIÓN:

Para mantener una operación de calidad del producto, cada operador debe seguir un programa regular de inspecciones. Todas las inspecciones deben registrarse y mantenerse en un registro cronológico. Estos registros deben estar disponibles para todo el personal involucrado con el producto y deben ponerse a disposición de OZ Lifting Products en caso de duda sobre la garantía.

DEFINICIONES

Persona Designada: La persona seleccionada o asignada como competente para realizar tareas específicas.

Persona Calificada: La persona que, mediante la posesión de un título o certificado reconocido en el ámbito profesional, o a través de un amplio conocimiento, entrenamiento y experiencia, ha demostrado con éxito que puede resolver problemas relacionados con la materia y el trabajo.

Servicio Normal: Servicio que implica operación con cargas distribuidas aleatoriamente dentro del límite de carga nominal, o cargas uniformes que sean menos del 65% de la carga nominal durante no más del 15% del tiempo.

Servicio Pesado: Servicio que implica operación dentro del límite de carga nominal y excede el servicio normal.

Servicio Severo: Servicio que implica servicio normal o pesado con condiciones operativas anormales. Esto también incluye servicio que involucra cargas de impacto.

CLASIFICACIONES DE INSPECCIÓN

Inspecciones Frecuentes: Realizadas por el operador o persona designada. Se llevan a cabo mediante un examen visual y escuchando sonidos inusuales durante la operación. Estas inspecciones se suelen realizar antes de cada operación, cada pocas horas durante la operación y si surgen problemas.

Inspecciones Periódicas: Realizadas por una persona designada. Se realizan con más detalle que las inspecciones frecuentes, examinando visualmente las condiciones internas y externas. Estas inspecciones se realizan según el siguiente cronograma:

- **Servicio Normal** - Semestralmente
- **Servicio Pesado** - Trimestralmente
- **Servicio Severo** - Inmediatamente después de completar el izaje
- Después de un almacenamiento prolongado o si surgen problemas de operación



Etiqueta la grúa como “Fuera de servicio” si una inspección determina que está dañada o si se requiere mantenimiento. No retire esta etiqueta hasta que una persona calificada haya resuelto el problema. Suspenda el uso del cable de acero y el equipo si se produce algún daño o sobrecarga.

NOTAS DE INSPECCIÓN IMPORTANTES



Los cabrestantes de freno requieren más que una inspección auditiva y visual. Verifique los cabrestantes de freno diariamente operando la grúa con y sin carga y deteniéndola en diversas posiciones para garantizar un funcionamiento seguro. Si la carga se desliza o se desplaza, comuníquese con la fábrica para reemplazar los discos de fricción.



Una inspección adecuada puede requerir el desmontaje de algunas partes. Comuníquese con la fábrica de OZ Lifting Products antes de hacerlo, o la garantía aplicable podría anularse.



Para inspecciones del cable de acero, por favor contacte al fabricante específico del cable. La inspección proporcionada en el siguiente cuadro es solo una inspección general y no es en modo alguno la inspección completa requerida.



Antes de la operación, asegúrese de que todas las deficiencias en el cuadro de inspección se hayan resuelto y que las inspecciones estén actualizadas. Consulte el cuadro de solución de problemas para obtener más ayuda.



Tenga en cuenta los códigos y regulaciones aplicables para la inspección de grúas.



Consulte el manual específico del propietario del cabrestante para obtener instrucciones y detalles completos de inspección.

TABLA DE INSPECCIÓN

NOTA: Desmante la grúa, incluyendo el brazo y el cabrestante, periódicamente para inspeccionar cada uno en busca de daños. Utilice la siguiente tabla para determinar qué tipo de inspección es necesaria. Inspección Frecuente (F) e Inspección Periódica (P).

TABLA DE INSPECCIÓN			
Ubicación	Comprobar	F	P
Grúa	Daños, grietas, óxido, picaduras, abolladuras, desgaste excesivo o corrosión	X	
	Sonidos inusuales	X	
	Movimiento suave de carga	X	
	Equipos debidamente lubricados	X	
	Señales de sobrecarga (grietas, abolladuras o daños)		X
	Función adecuada cuando se opera con una carga igual a la capacidad de carga		X
Superficie de montaje	Buen estado / soporta la grúa en todas las condiciones	X	
	Nivel, sin desviarse de la pluma	X	
	Grietas, corrosión, daños (verificar quitando la base de la grúa)		X
Sujetadores (incluyendo sujetadores de montaje)	Instalado firmemente	X	
	Apretado apropiadamente	X	
	Hilos pelados, doblados o dañados (verificar quitando la base de la grúa)		X
Manija	Gira libremente en ambas direcciones	X	

NOTA: Consulte el manual del operador del cabrestante para ver su tabla de inspección.

ALMACENAMIENTO:

Para un rendimiento óptimo y una mayor durabilidad, guarde la grúa **TELE-PRO®** de OZ Lifting Products en un ambiente adecuado.

- Seleccione un ambiente limpio, seco y no corrosivo para almacenar la grúa. Evite lugares húmedos, áreas con altos niveles de polvo o escombros, o espacios donde la grúa pueda estar expuesta a productos químicos. Estas condiciones pueden acelerar la corrosión y dañar componentes críticos.
- Si almacena la grúa en exteriores, asegúrese de protegerla de los elementos. Utilice una cubierta impermeable diseñada para proteger la grúa de la lluvia, la nieve, la exposición al sol y el viento. Dejar la grúa expuesta puede provocar la formación de óxido, el deterioro de superficies pintadas y el agarrotamiento de partes móviles.
- Preste especial atención a las partes móviles de la grúa, como el brazo, el mango del cabrestante y el gancho. Considere cubrir estas áreas con un paño adecuado o utilizar accesorios de almacenamiento recomendados por el fabricante para minimizar la acumulación de polvo y posibles daños durante el almacenamiento.

Siguiendo estas recomendaciones de almacenamiento, se garantizará que la grúa **TELE-PRO®** de OZ Lifting Products se mantenga en óptimas condiciones y funcione de manera confiable cuando sea necesario.

REPARACIONES:

Todas las reparaciones deben contar con autorización de fábrica. Contacte a OZ Lifting Products para evitar la anulación de la garantía limitada de dos años y posibles daños. Realice las inspecciones recomendadas para identificar qué piezas deben ser reemplazadas. Utilice únicamente repuestos de OZ Lifting Products. Para ordenar repuestos, contacte a su distribuidor local de OZ Lifting Products. Por favor, tenga disponible el número de serie, el número de parte y una descripción al llamar.

SOLUCIÓN DE PROBLEMAS

TABLA DE SOLUCIÓN DE PROBLEMAS		
Problema	Causa Posible	Corrección
Distancia de frenado muy larga	Los discos están desgastados, dañados o sobre lubricados	Reemplazar
	Trinquete de freno de disco dañado o desgastado	Reemplazar
Desgaste excesivo en engranajes y cojinetes.	Sobrecargado	Reducir la carga
	Lubricación inadecuada	Relubricar
Chirrido agudo	Lubricación inadecuada	Relubricar
Ruido de molienda	Cable mal enrollado, cable engranado en el tambor	Vuelva a enrollar el cable de manera uniforme bajo tensión
	Frenos o engranajes sucios	Limpiar
	Engranajes o cojinetes rotos	Reemplazar
Traqueteo	Pernos flojos, tornillos, sujetadores	Apretar
Pluma gira por su cuenta	Superficie de montaje sin nivel o insegura	Reparar
	Mástil doblado o dañado	Reparar
Pluma rebota	Sobrecargado	Reduzca la carga e inspeccione la grúa en busca de daños
	Pernos de montaje flojos	Apriete para corregir la torsión
	Superficie de montaje sin nivel o insegura	Reparar
	Engranajes del cabrestante desgastados o dañados	Reparar
	Polea desgastada o dañada	Reparar

NOTA: Póngase en contacto con OZ Lifting Products LLC® si es necesario desmontar la grúa. La garantía limitada se anulará si esto no se hace.

ESPECIFICACIONES:

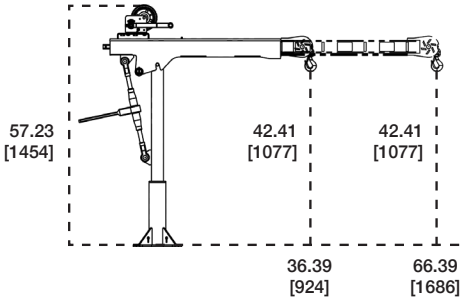
OZTP500DAV

Peso Neto: 109 lb./49 kg.

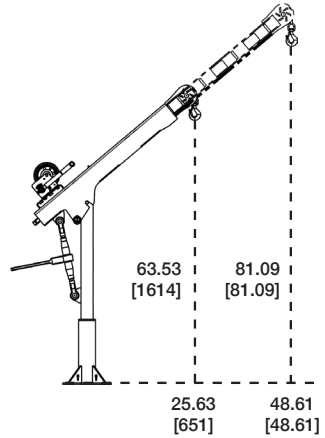
Peso de la Pluma: 66 lb./30kg.

Peso del Mástil: 23 lb./10 kg.

Figura 6.1



POSICIÓN DE LA PLUMA HORIZONTAL



POSICIÓN DE LA PLUMA 45°

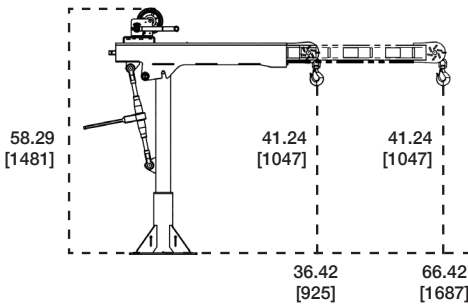
OZTP1200DAV

Peso Neto: 189 lb./86 kg.

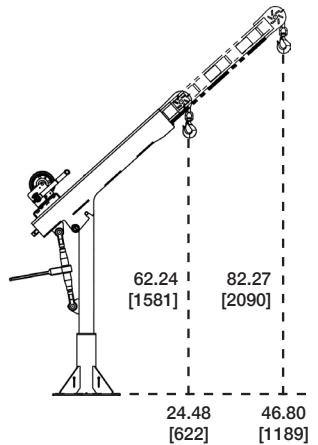
Peso de la Pluma: 135 lb./61kg.

Peso del Mástil: 34 lb./15 kg.

Figura 6.2



POSICIÓN DE LA PLUMA HORIZONTAL



POSICIÓN DE LA PLUMA 45°

NOTA: Todas las medidas están indicadas en pulgadas [milímetros].

Las dimensiones son solo de referencia y están sujetas a cambios sin previo aviso.

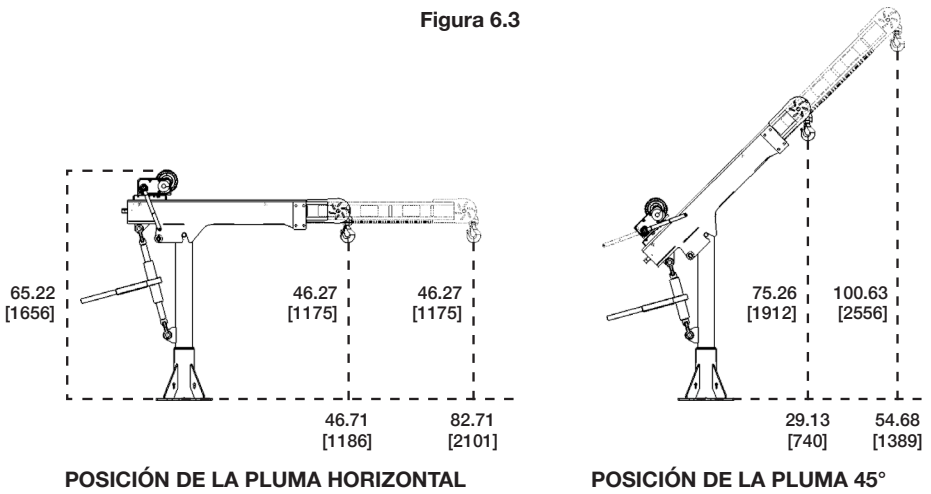
OZTP2500DAV

Peso Neto: 369 lb./167 kg.

Peso de la Pluma: 262 lb./119 kg.

Peso del Mástil: 62 lb./28 kg.

Figura 6.3



NOTA: Todas las medidas están indicadas en pulgadas [milímetros].

Las dimensiones son solo de referencia y están sujetas a cambios sin previo aviso.

TELE-PRO® DAVIT CRANE ESPECIFICACIONES DE ALCANCE DEL GANCHO DE 360 GRADOS
Las secciones representan el alcance del gancho en rotación de 360 grados.

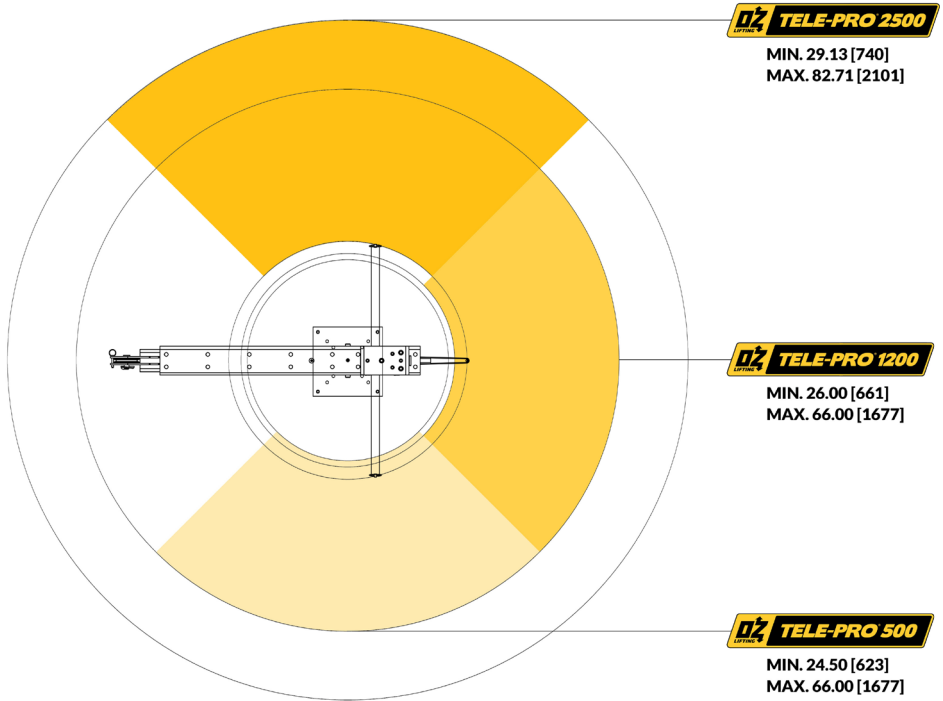


Figura 6.4

NOTA: Todas las medidas están indicadas en pulgadas [milímetros].
Las dimensiones son solo de referencia y están sujetas a cambios sin previo aviso.

CAPACIDAD DE CARGA:

NOTA: La pluma es infinitamente ajustable. Por simplicidad, las calificaciones se han dividido en 4 posiciones.

OZTP500DAV CAPACIDAD – Ángulo de pluma horizontal			
Capacidad (lb.)	Primera Capa	Medio Tambor	Tambor lleno
Posición de pluma 1 a 36"	500 lb.	500 lb.	500 lb.
Posición de pluma 2 a 46"	430 lb.	430 lb.	430 lb.
Posición de pluma 3 a 56"	350 lb.	350 lb.	350 lb.
Posición de pluma 4 a 66"	300 lb.	300 lb.	300 lb.

**Basado en 3/16" cable de acero/cuerda sintética*

OZTP500DAV CAPACIDAD – Posición de la pluma 45°			
Capacidad (lb.)	Primera Capa	Medio Tambor	Tambor lleno
Posición de pluma 1 a 23"	500 lb.	500 lb.	500 lb.
Posición de pluma 2 a 30"	500 lb.	500 lb.	500 lb.
Posición de pluma 3 a 37"	500 lb.	500 lb.	500 lb.
Posición de pluma 4 a 44"	450 lb.	450 lb.	450 lb.

**Basado en 3/16" cable de acero/cuerda sintética*



Las capacidades de carga variarán según la longitud y el diámetro del cable o de la cuerda sintética.

NOTA: Las dimensiones son solo de referencia y están sujetas a cambios sin previo aviso.

NOTA: La pluma es infinitamente ajustable. Por simplicidad, las calificaciones se han dividido en 4 posiciones.

OZTP1200DAV CAPACIDAD – Ángulo de pluma horizontal			
Capacidad (lb.)	Primera Capa	Medio Tambor	Tambor lleno
Posición de pluma 1 a 36"	800 lb.	800 lb.	550 lb.
Posición de pluma 2 a 46"	800 lb.	800 lb.	550 lb.
Posición de pluma 3 a 56"	750 lb.	750 lb.	550 lb.
Posición de pluma 4 a 66"	650 lb.	650 lb.	550 lb.
<i>*Basado en 3/16" cable de acero</i>			

OZTP1200DAV CAPACIDAD – Posición de la pluma 45°			
Capacidad (lb.)	Primera Capa	Medio Tambor	Tambor lleno
Posición de pluma 1 a 23"	800 lb.	800 lb.	550 lb.
Posición de pluma 2 a 30.25"	800 lb.	800 lb.	550 lb.
Posición de pluma 3 a 37.25"	500 lb.	800 lb.	550 lb.
Posición de pluma 4 a 44.5"	800 lb.	800 lb.	550 lb.
<i>*Basado en 3/16" cable de acero</i>			

OZTP1200DAV CAPACIDAD – Ángulo de pluma horizontal			
Capacidad (lb.)	Primera Capa	Medio Tambor	Tambor lleno
Posición de pluma 1 a 36"	1200 lb.	875 lb.	550 lb.
Posición de pluma 2 a 46"	900 lb.	875 lb.	550 lb.
Posición de pluma 3 a 56"	750 lb.	750 lb.	550 lb.
Posición de pluma 4 a 66"	650 lb.	650 lb.	550 lb.
<i>*Basado en 1/4" cable de acero o 3/16" cuerda sintética</i>			

OZTP1200DAV CAPACIDAD – Posición de la pluma 45°			
Capacidad (lb.)	Primera Capa	Medio Tambor	Tambor lleno
Posición de pluma 1 a 23"	1200 lb.	875 lb.	550 lb.
Posición de pluma 2 a 30.25"	1200 lb.	875 lb.	550 lb.
Posición de pluma 3 a 37.25"	1100 lb.	875 lb.	550 lb.
Posición de pluma 4 a 44.5"	950 lb.	875 lb.	550 lb.
<i>*Basado en 1/4" cable de acero o 3/16" cuerda sintética</i>			



Las capacidades de carga variarán según la longitud y el diámetro del cable o de la cuerda sintética.

NOTA: Las dimensiones son solo de referencia y están sujetas a cambios sin previo aviso.

NOTA: La pluma es infinitamente ajustable. Por simplicidad, las calificaciones se han dividido en 4 posiciones.

OZTP2500DAV CAPACIDAD – Ángulo de pluma horizontal			
Capacidad (lb.)	Primera Capa	Medio Tambor	Tambor lleno
Posición de pluma 1 a 46"	2000 lb.	2000 lb.	1500 lb.
Posición de pluma 2 a 58"	1900 lb.	1900 lb.	1500 lb.
Posición de pluma 3 a 70"	1600 lb.	1600 lb.	1500 lb.
Posición de pluma 4 a 82"	1300 lb.	1300 lb.	1300 lb.
<i>*Basado en 1/4" cuerda sintética</i>			

OZTP2500DAV CAPACIDAD – Posición de la pluma 45°			
Capacidad (lb.)	Primera Capa	Medio Tambor	Tambor lleno
Posición de pluma 1 a 28"	2000 lb.	2000 lb.	1500 lb.
Posición de pluma 2 a 37"	2000 lb.	2000 lb.	1500 lb.
Posición de pluma 3 a 45.5"	2000 lb.	2000 lb.	1500 lb.
Posición de pluma 4 a 54"	2000 lb.	2000 lb.	1500 lb.
<i>*Basado en 1/4" cuerda sintética</i>			

OZTP2500DAV CAPACIDAD – Ángulo de pluma horizontal			
Capacidad (lb.)	Primera Capa	Medio Tambor	Tambor lleno
Posición de pluma 1 a 46"	2500 lb.	2015 lb.	1500 lb.
Posición de pluma 2 a 58"	1900 lb.	1900 lb.	1500 lb.
Posición de pluma 3 a 70"	1600 lb.	1600 lb.	1500 lb.
Posición de pluma 4 a 82"	1300 lb.	1300 lb.	1300 lb.
<i>*Basado en 3/8" cable de acero/cuerda sintética o 5/16" cuerda sintética</i>			

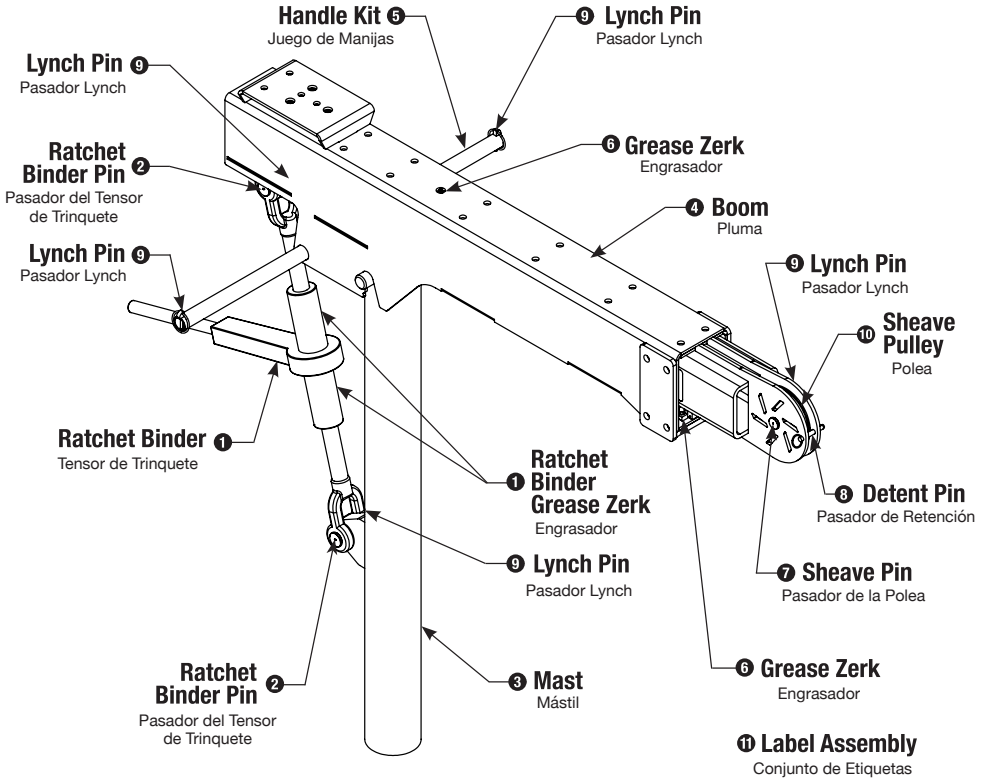
OZTP2500DAV CAPACIDAD – Posición de la pluma 45°			
Capacidad (lb.)	Primera Capa	Medio Tambor	Tambor lleno
Posición de pluma 1 a 28"	2500 lb.	2015 lb.	1550 lb.
Posición de pluma 2 a 37"	2500 lb.	2015 lb.	1550 lb.
Posición de pluma 3 a 45.5"	2500 lb.	2015 lb.	1550 lb.
Posición de pluma 4 a 54"	2000 lb.	2000 lb.	1550 lb.
<i>*Basado en 3/8" cable de acero/cuerda sintética o 5/16" cuerda sintética</i>			



Las capacidades de carga variarán según la longitud y el diámetro del cable o de la cuerda sintética.

NOTA: Las dimensiones son solo de referencia y están sujetas a cambios sin previo aviso.

DESGLOSE DE PIEZAS:



DESGLOSE DE PIEZAS

	NOMBRE DE LA PIEZA	NÚMERO DE PIEZA			PIEZA DE REPUESTO
		OZTP500DAV	OZTP1200DAV	OZTP2500DAV	
1	Tensor de Trinquete	TW-6067-10	TW-6067-10	TW-6068-12	Sí
2	Pasador del Tensor de Trinquete	TSD12102	TSD12102	TSD2013	Sí
3	Mástil	OZ110070	OZ110069	OZ110068	Sí
4	Pluma	OZ100028	OZ100032	OZ100029	Sí
5	Juego de Manijas	OZ120002	OZ120002	OZ120002	Sí
6	Engrasador	OZ240079	OZ240079	OZ240079	Sí
7	Pasador de la Polea	SD7012	SD7012	SD2012	Sí
8	Pasador de Retención	DRI-14	DRI-14	DRI-54	Sí
9	Pasador Lynch	Hang-2	Hang-2	Hang-2	Sí
10	Polea	DC10PC5000B	DC10PC5000B	SD2004	Sí
11	Conjunto de Etiquetas	200-0092	201-0092	202-0092	Sí

OZ LIFTING GARANTÍA DE DOS AÑOS:

OZ Lifting Products LLC® garantiza que este producto estará libre de defectos en materiales y mano de obra durante dos años a partir de la fecha de envío.

Esta garantía NO cubre:

Esta garantía no se aplica a productos que muestran signos de mal uso, sobrecarga, alteración, mantenimiento incorrecto o negligencia. El desgaste normal de las piezas móviles está excluido de la garantía. Las partes móviles se definen como discos de freno, cable metálico y otros componentes de desgaste sujetos a condiciones de uso. Esta garantía no cubre ningún costo relacionado con la eliminación de este producto, el tiempo perdido o cualquier otro daño / costo incidental o consecuente que resulte de los defectos reclamados.

Renuncias/Límites de Garantía:

Si este producto falla durante los dos primeros años de funcionamiento debido a materiales o mano de obra defectuosos, será reparado o reemplazado a discreción de OZ Lifting Products LLC®.

Cualquier producto sujeto a un reclamo de garantía debe devolverse, prepago, a un distribuidor autorizado de OZ Lifting Products LLC® junto con el comprobante de compra. Tras la reparación, el producto será devuelto al cliente de forma gratuita. Si no se encuentra ningún defecto, el cliente será responsable de los costos de envío de devolución. La garantía del producto será efectiva por el resto del período de garantía original (dos años a partir de la fecha de envío).

Todos los cabrestantes manuales y eléctricos de OZ Lifting Products, LLC® están sujetos a una garantía limitada de un año.

Es responsabilidad del operador asegurarse de que el producto se utilice de acuerdo con todos los códigos locales aplicables, regulaciones y normas de seguridad. OZ Lifting Products, LLC® no asume responsabilidad por ningún daño o lesión resultante del uso incorrecto del producto.

OZ Lifting Products LLC® no se hace responsable de lo siguiente que surja del uso de este producto: lesiones a personas o bienes, muerte, daños incidentales, consecuentes o contingentes, ya sean negligentes o deliberados. Es responsabilidad exclusiva del propietario instalar y operar el producto de manera adecuada y segura.

Esta es la única garantía escrita de OZ Lifting Products LLC®. Esta garantía reemplaza a todas las demás garantías implícitas por ley, como la comerciabilidad y la aptitud. La venta de productos de OZ Lifting Products LLC® bajo cualquier otra garantía, expresa o implícita, no está autorizada.

NOTA: OZ Lifting Products LLC® tiene el derecho de alterar el diseño o suspender la producción de cualquier producto sin previo aviso.

Para obtener más información, póngase en contacto:



P.O. Box 845, Winona, MN 55987
Phone (800) 749-1064 • (507) 474-6250
Tech Support (507) 457-3346
Fax (507) 452-5217
sales@ozliftingproducts.com
www.ozliftingproducts.com

REV. 7/24/24



SCAN FOR ONLINE MANUAL & TRANSLATIONS
BUSQUE MANUALES Y TRADUCCIONES EN LÍNEA
RECHERCHER UN MANUEL ET DES TRADUCTIONS EN LIGNE



P.O. Box 845, Winona, MN 55987
Phone (800) 749-1064 • (507) 474-6250
Tech Support (507) 457-3346
Fax (507) 452-5217
sales@ozliftingproducts.com
www.ozliftingproducts.com

